

SHOP DRAWING REVIEW

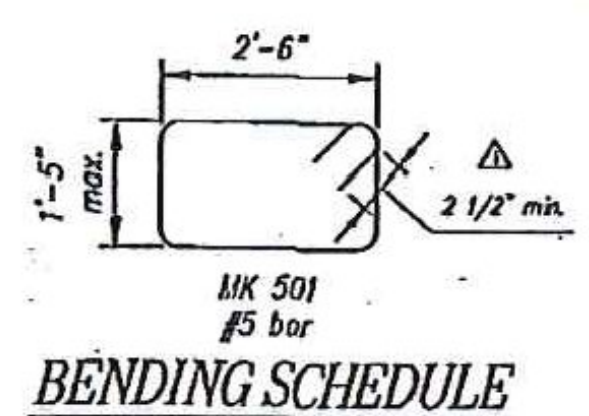
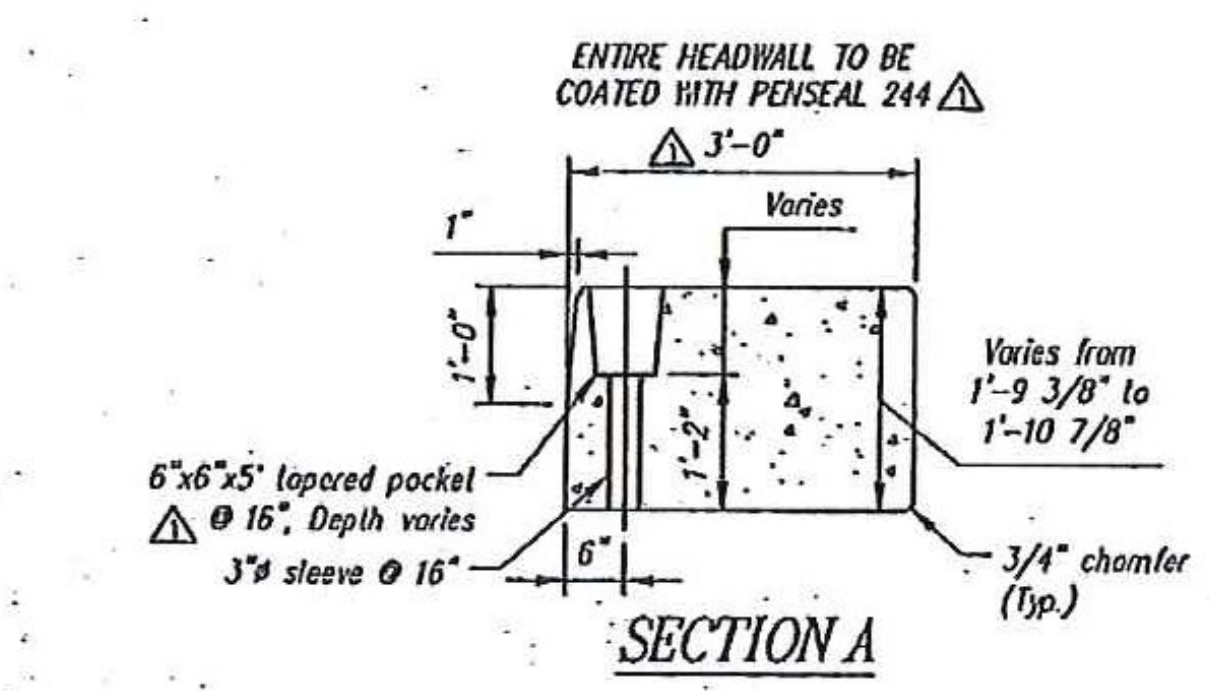
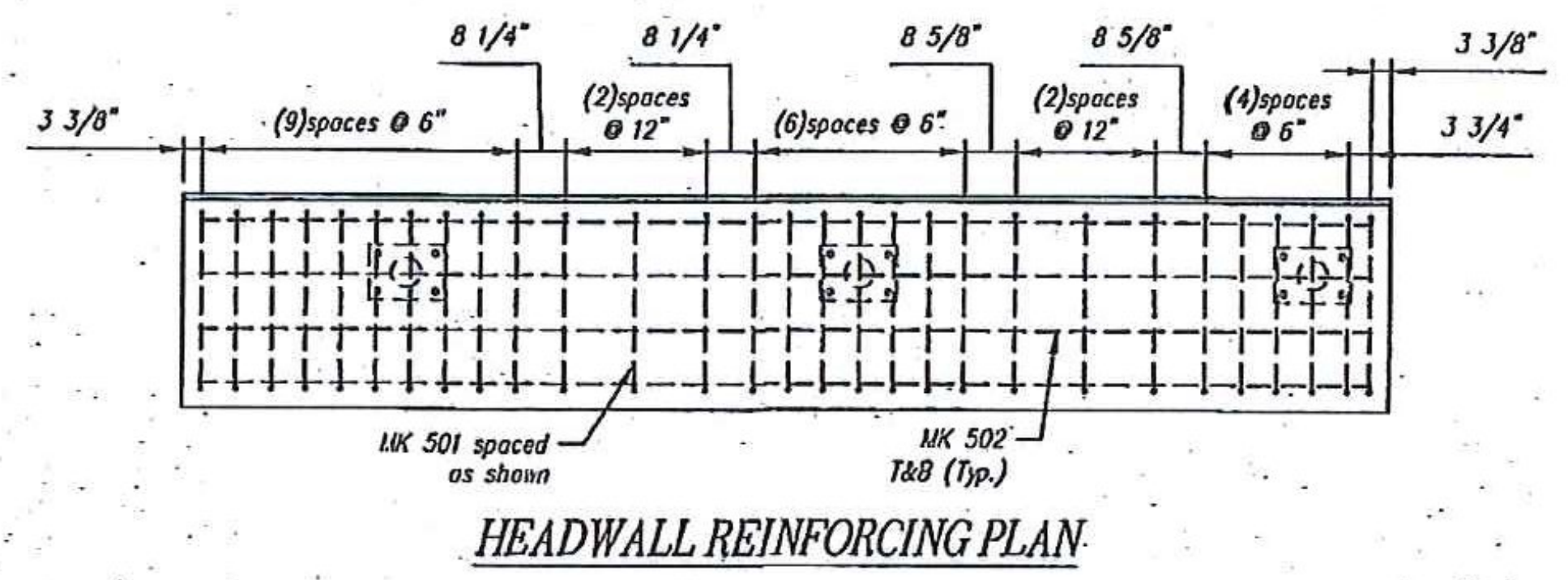
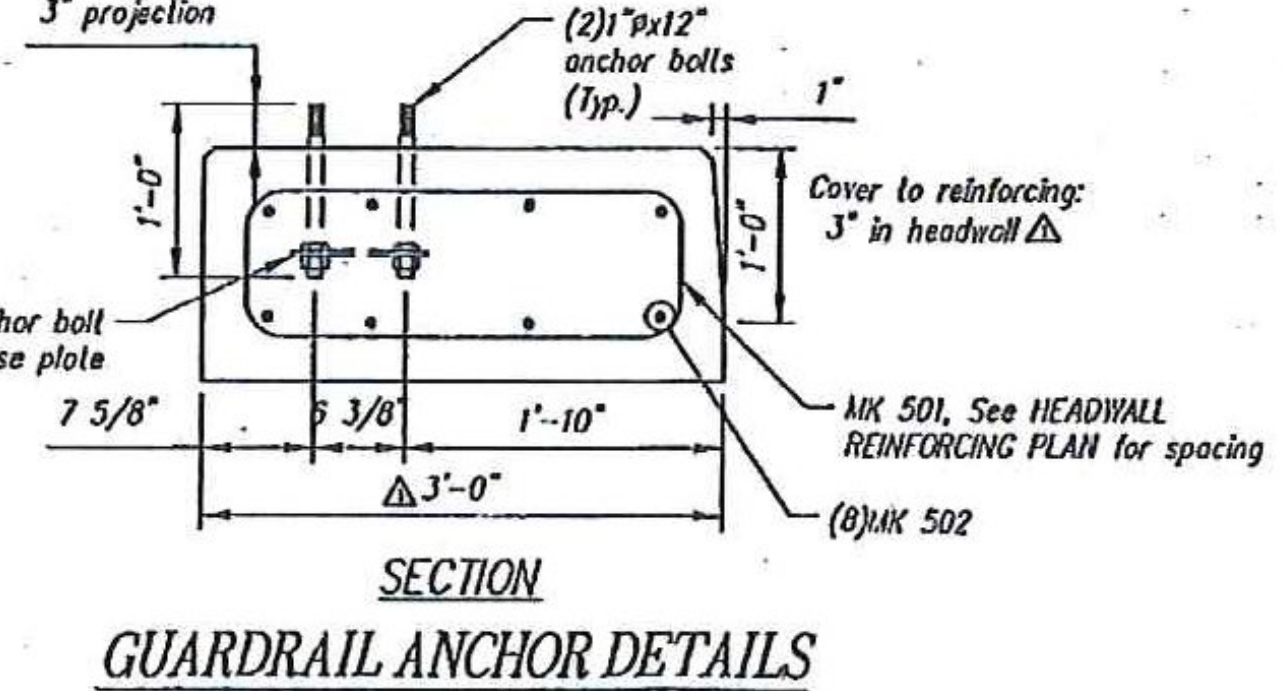
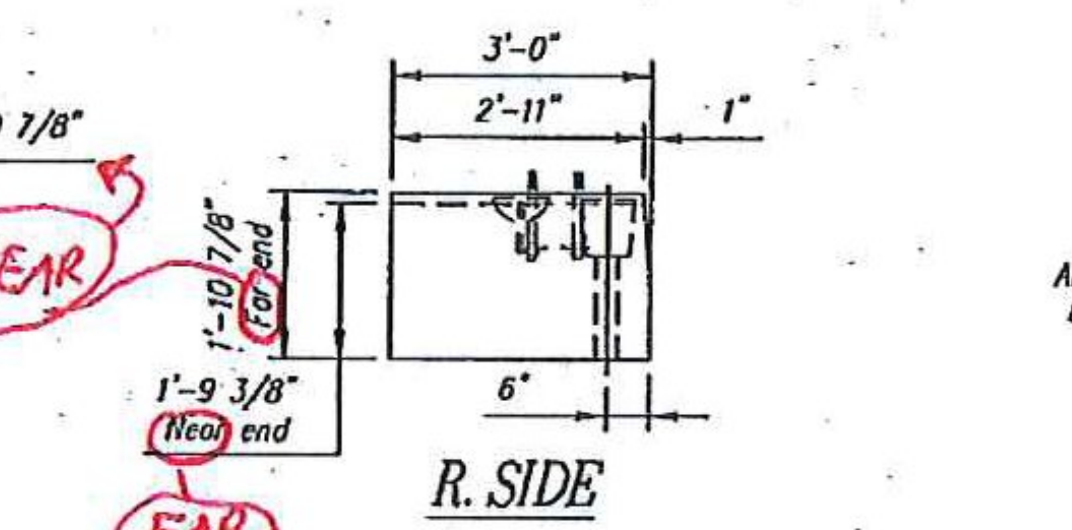
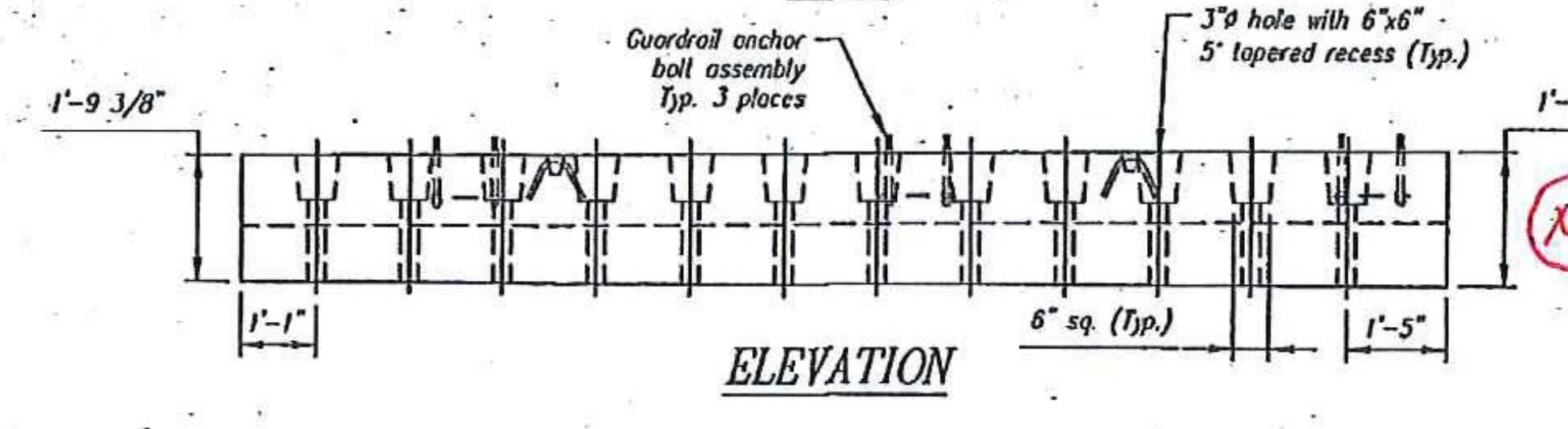
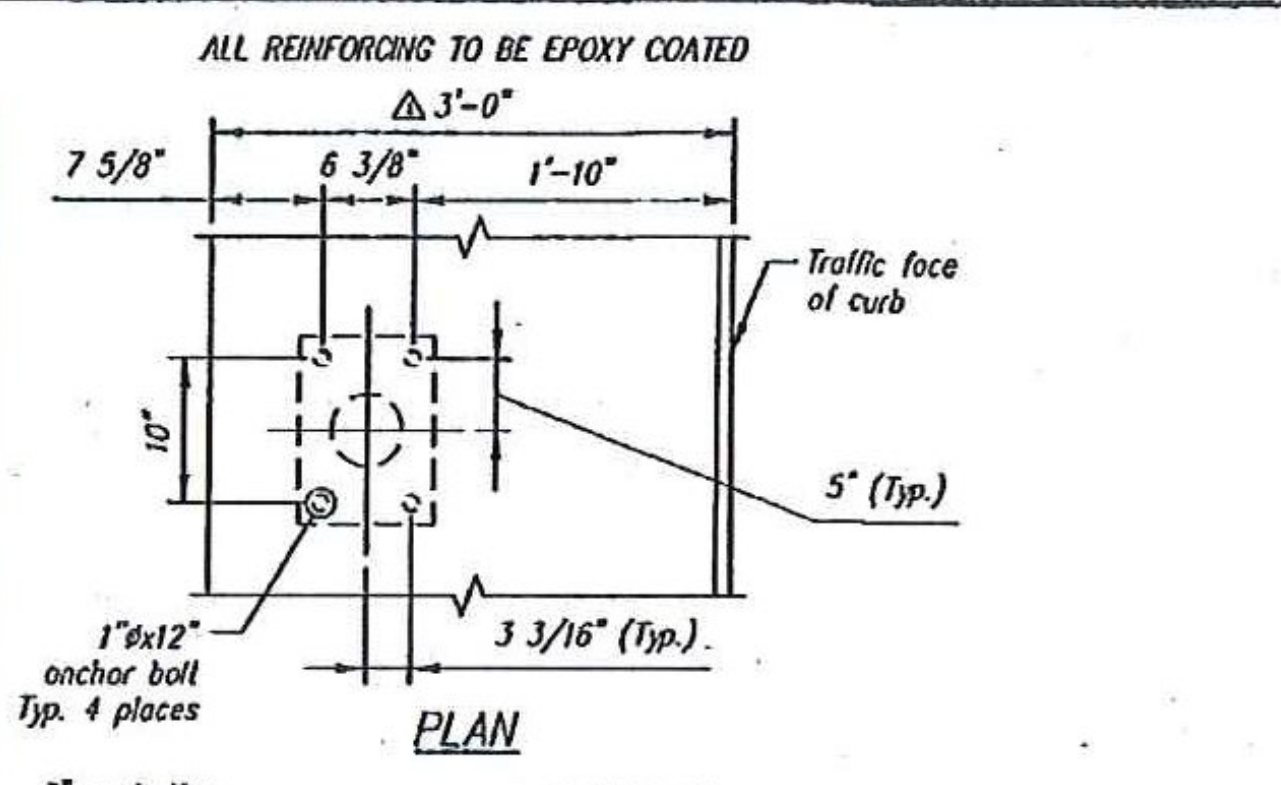
REVIEWED AS REQUIRED BY THE CONSTRUCTION CONTRACT DOCUMENTS AND APPROVED, BUT ONLY FOR CONFORMANCE TO THE DESIGN CONCEPT OF THE WORK AND SUBJECT TO FURTHER CONDITIONS AND REQUIREMENTS SET FORTH IN THE CONSTRUCTION CONTRACT DOCUMENTS.

REJECTED REVISED AND RESUBMITTED PERMISSIBLE AS CORRECTED

CORRECTIONS OR COMMENTS MADE ON THE SHOP DRAWINGS DURING THIS REVIEW DO NOT RELIEVE CONTRACTOR FROM COMPLIANCE WITH REQUIREMENTS OF THE DRAWINGS AND SPECIFICATIONS. THIS CHECK IS ONLY FOR THE PURPOSE OF GENERAL CONFORMANCE WITH THE DESIGN CONCEPT OF THE PROJECT AND GENERAL SENSE. OWNER WITH THE INFORMATION GIVEN IN THE CONTRACT DOCUMENTS, THE CONTRACTOR IS RESPONSIBLE FOR DETERMINING AND CORRECTING ALL ERRORS AND OMISSIONS. THE CONTRACTOR SHALL BE RESPONSIBLE FOR OBTAINING AND REVIEWING ALL CONTRACT DOCUMENTS AND SPECIFICATIONS WITH THAT OF ALL OTHER TRADES, AND BE RESPONSIBLE FOR A SAFE AND SOUND PROJECT MANAGER.

Yankee Hanger Brastlin, Inc.
 2056 US Route 2
 North Ferrisburgh, VT 05473
 802-425-7700

HUBBARDTON BRIDGE
 Job Number ER STP 0161(26)
 Reviewed By: J. FARNSWORTHY
 Date: 10-16-2012



QTY = 1
 WEIGHT = 7.03 TONS

HW2B - BILL OF MATERIALS / EMBEDS

CSI ID#	DESCRIPTION	QTY	UM	COMMENTS
DTJ	CERTI-VEX PENSEAL 244 WATER REPEL	0.55	GA	
EM-00033	3" FOAM CORE PVC	8.17	FT	
EM-00115	UTILITY ANCHOR #8UA671-GALVANIZED	2	EA	
RM-00016	REBAR #5 EPOXY-GR 60 40'	355	LB	
SBO	GUARDRAIL ANCHOR ASSY W/4 BOLTS	3	EA	
MX-FA5000SC20	MIX DSGN - FLY ASH - 5000 - SELF COMP	3.47	CY	

All Rebar to be Epoxy Coated

Headwall Rebar Schedule

MK	QTY	LENGTH
501 #5	26	7' L 6"
502 #5	6	16' L 10"
503 #5	6	7' L 0"
504 #5	4	9' L 6"

NO.	DATE	DESCRIPTION	BY
1	10/12/12	Revised headwall thickness	MS
2			
3			
4			
5			
6			
7			
8			
9			
10			

Contractor is to verify that all information shown on drawings has been checked, complies with the contract documents and is adequate to meet the field conditions. The contractor shall verify the design process. Approval of this drawing indicates that any deviation from the contract documents has been reviewed and found to be acceptable. Production will not commence until receipt of signed, approved shop drawings.

This drawing contains information proprietary to CONCRETE SYSTEMS, INC. This drawing is disclosed with the understanding that it will be retained in confidence and its use limited solely to the purpose for which it is disclosed. It is understood that no reproduction of this drawing is permitted without the written consent of CONCRETE SYSTEMS, INC. and that it will be returned to CONCRETE SYSTEMS, INC. upon request.

This drawing is based upon information provided from the following documents and/or sources:

Engineer:
 Project No:
 Drawings:
 Specifications:
 Other:

CSI
 Concrete Systems Inc.
 9 Commercial St., Hudson, NH 03051
 Phone 603-889-4163
 Fax 603-889-2417

STATE AGENCY
VTrans

Drawn by: M. SCOTT
 Checked by:
 Approved by:
 Date: 09/24/2012

HUBBARDTON ER STP 0161(26)
 BRIDGE NO. 96
 J.A. McDONALD, INC.
 PROPOSED IMPROVEMENT BRIDGE PROJECT
 HUBBARDTON, VT

SHOP DRAWING HW2B
 C21377-HW2B

Quantity: 1 Project No: ER STP 0161(26) SHEET 7A OF 7A

STATE OF VERMONT
 CHRISTOPHER M. WOOD
 NO. 77028
 Structural
 PROFESSIONAL ENGINEER
 10/12/12

Stamp for structural design only