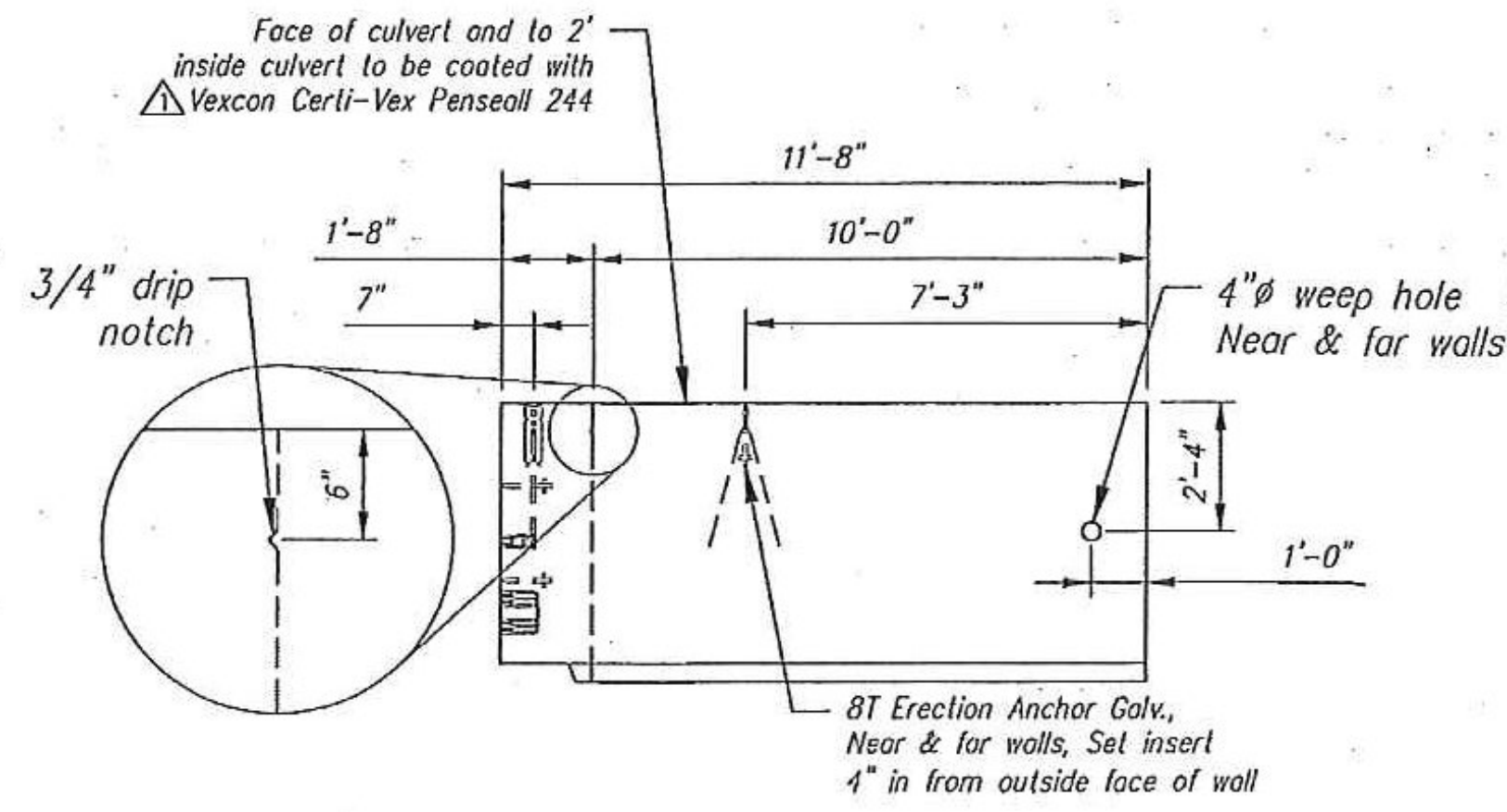


PLAN



R. SIDE

QTY = 1
WEIGHT = 29.31 TONS

A3 - BILL OF MATERIALS / EMBEDS				
CSI ID#	DESCRIPTION	QTY	UM	COMMENTS
DTJ	CERTI-VEX PENSEAL 244 WATER REPEL	0.7	GA	
EM-00005	1" X 8" PRESET WING INSERTS	4	EA	
EM-00034	4" FOAM CORE PVC	2.33	FT	
EM-00039	SPREAD ANCHORS 8T GALV	4	EA	
EM-00061	EC4 SS 1-1/4" X 7-1/2" F-58	24	EA	
EM-00122	8TON ERECTION ANCHOR GALV QL049G	4	EA	WITH TENSION BAR
RM-00014	REBAR #4 EPOXY- GR 60 40'	527	LB	
RM-00016	REBAR #5 EPOXY- GR 60 40'	235	LB	
RM-00018	REBAR #6 EPOXY-GR 60 40'	28	LB	
RM-00016	REBAR #7 EPOXY-GR 60 40'	1815	LB	
MX-FA5000SC20	MX DSGN - FLY ASH - 5000 - SELF COMP	14.47	CY	

All Rebar to be Epoxy Coated Culvert Rebar Schedule			
MK	QTY	LENGTH	
401	#4	16	11' 4"
402	#4	12	22' 6"
403	#4	78	4' 4"
501	#5	52	4' 4"
601	#6	4	4' 8"
701	#7	24	20' 0"
702	#7	12	34' 0"

SHOP DRAWING REVIEW

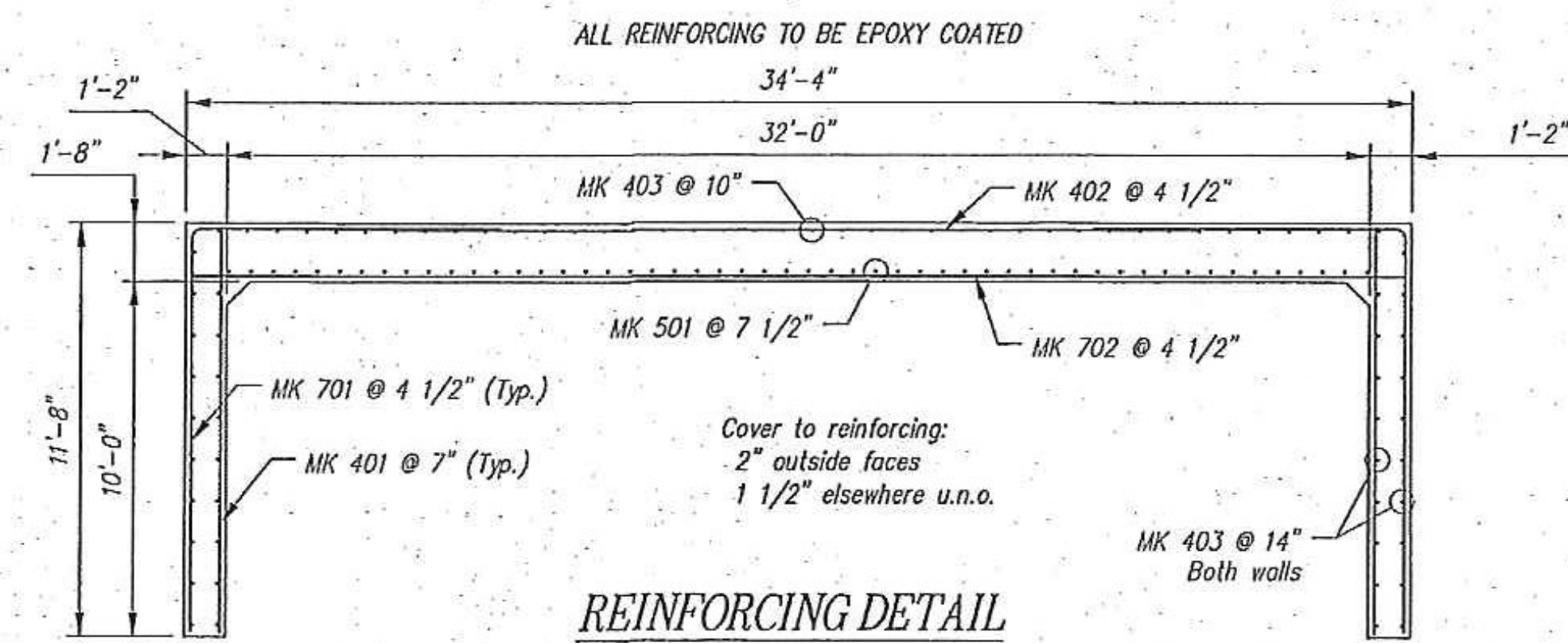
REVIEWED AS REQUIRED BY THE CONSTRUCTION CONTRACT DOCUMENTS AND APPROVED, BUT ONLY FOR CONFORMANCE TO THE DESIGN CONCEPT OF THE WORK, AND SUBJECT TO FURTHER LIMITATIONS AND REQUIREMENTS CONTAINED IN THE CONSTRUCTION CONTRACT DOCUMENTS

REJECTED RELEASE AND RESUBMIT FURNISH AS CORRECTED

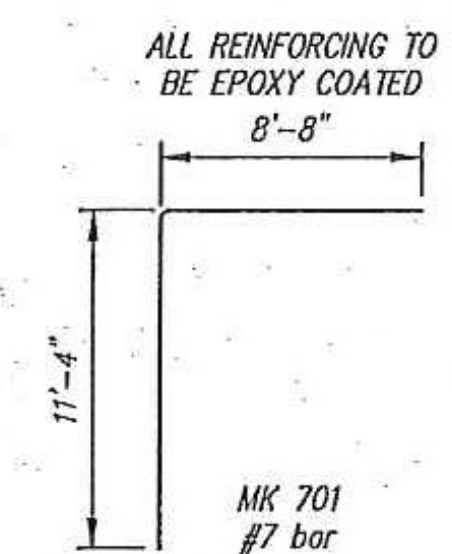
CORRECTIONS OR COMMENTS MADE ON THE SHOP DRAWINGS DURING THIS REVIEW DO NOT RELIEVE CONTRACTOR FROM COMPLIANCE WITH FUTURE REVIEWS OF THE DRAWINGS AND SPECIFICATIONS. THIS CHECK IS FOR YOUR RECORD ONLY. CONFORMANCE WITH THE DESIGN CONCEPT OF THE PROJECT AND GENERAL COMPLIANCE WITH THE INFORMATION GIVEN IN THE CONTRACT DOCUMENTS. THE CONTRACTOR IS RESPONSIBLE FOR COORDINATING AND CORRELATING ALL DIMENSIONS AND DIMENSIONS, SELECTING FABRICATION PROCESSES AND TECHNIQUES OF CONSTRUCTION, COORDINATING HIS WORK WITH THAT OF ALL OTHER TRADES, AND PERFORMING THE WORK IN A SAFE AND SATISFACTORY MANNER.

VHB Vanasse Hangen Brustlin, Inc.
7058 US Route 7
North Ferrisburgh, VT 05475
802.425.7200

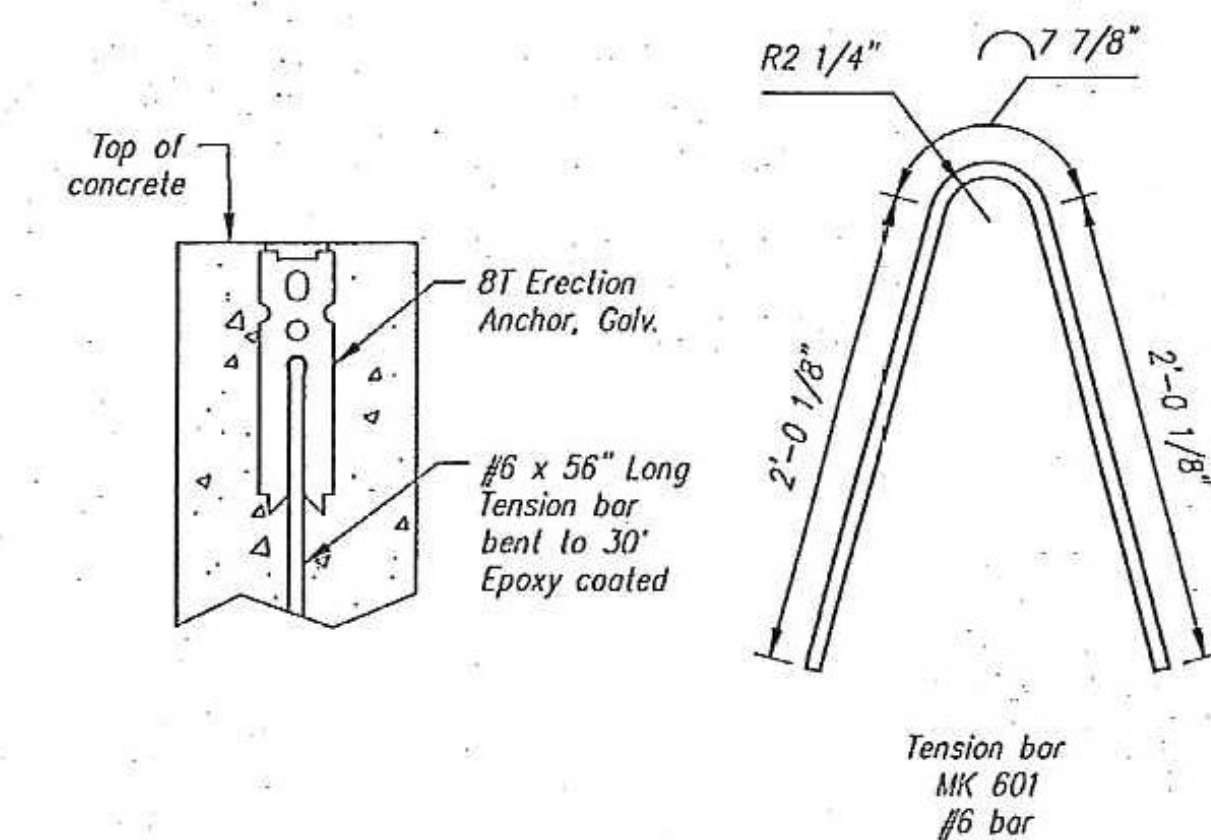
HUBBARDTON BR76
Job Number: ER STP 0161(26)
Reviewed By: S. FARNSWORTH
Date: 10-16-2012



REINFORCING DETAIL



BENDING SCHEDULE



STRIPPING AND HANDLING
INSERT DETAILS

Rev.	Date	Description	By
10			
9			
8			
7			
6			
5			
4			
3			
2	10/12/12	Water repellent to be Pensal 244; Revised tension bar detail	MS
1			

This drawing is based upon information provided from the following documents and/or sources:

Engineer:
Project No:
Drawings:
Specifications:
Other:

STATE AGENCY
VTrans

CSI
Concrete Systems Inc.
9 Commercial St., Hudson, NH, 03051
Phone 603-889-4163
Fax 603-889-2417

Drawn By: M SCOTT Date: 09/24/2012
Checked By: Date: Date: Date: Date: Date:
Approved By: Date: Date: Date: Date: Date:

HUBBARDTON ER STP 0161(26)
BRIDGE NO. 96
J.A. McDONALD, INC.
PROPOSED IMPROVEMENT BRIDGE PROJECT
HUBBARDTON, VT

SHOP DRAWING A3
C21377-A3

Quantity: 1 Project No: ER STP 0161(26) SHEET 3A OF 7A

STATE OF VERMONT
CHRISTOPHER M. JOCK
NO. 77928
Structural
LICENSED
PROFESSIONAL ENGINEER

10/12/12
Stamp for structural design only