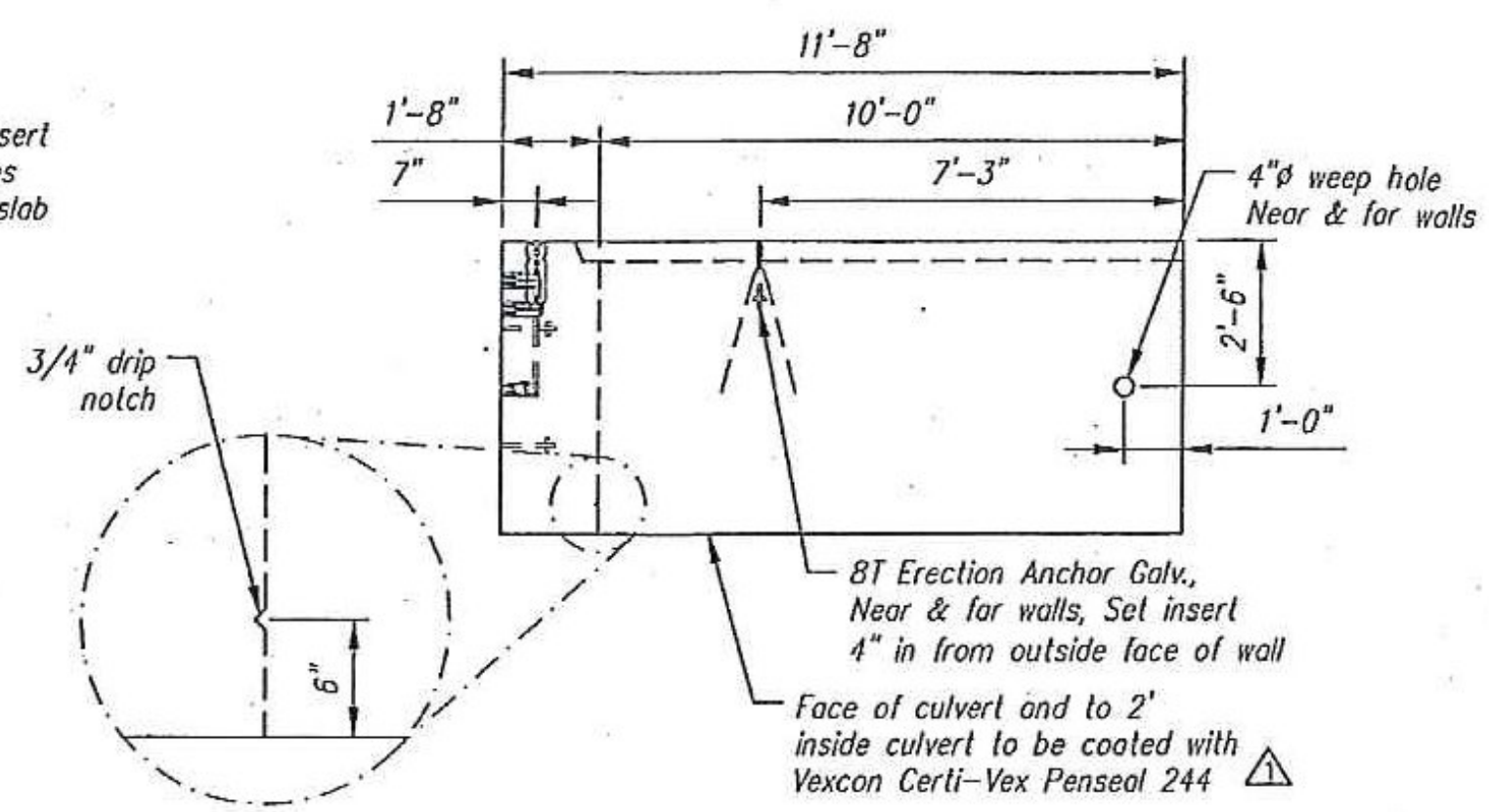


PLAN



R. SIDE

QTY = 1
WEIGHT = 29.67 TONS

A1 - BILL OF MATERIALS / EMBEDS				
CSI ID#	DESCRIPTION	QTY	UM	COMMENTS
DTJ	CERTI-VEX PENSEAL 244 WATER REPEL	0.7	GA	
EM-00005	1" X 8" PRESET WING INSERTS	4	EA	
EM-00034	4" FOAM CORE PVC	2.33	FT	
EM-00039	SPREAD ANCHORS 8T GALV	4	EA	
EM-00061	EC4 SS 1-1/4" X 7-1/2" F-58	24	EA	
EM-00122	8TON ERECTION ANCHOR GALV QL049G	4	EA	WITH TENSION BAR
JS-00002	1" X 1" CLOSED NEOP GASKET	58	FT	AROUND BELL
RM-00014	REBAR #4 EPOXY- GR 60 40'	575	LB	
RM-00016	REBAR #5 EPOXY- GR 60 40'	253	LB	
RM-00018	REBAR #6 EPOXY- GR 60 40'	28	LB	
RM-00016	REBAR #7 EPOXY- GR 60 40'	1966	LB	
MX-FA5000SC20	MIX DSGN - FLY ASH - 5000 - SELF COMP.	14.65	CY	

All Rebar to be Epoxy Coated Culvert Rebar Schedule			
MK	QTY	LENGTH	
401	#4	18	11' 4"
402	#4	13	22' 6"
403	#4	76	4' 8"
501	#5	52	4' 8"
601	#6	4	4' 8"
701	#7	26	20' 0"
702	#7	13	34' 0"

SHOP DRAWING REVIEW

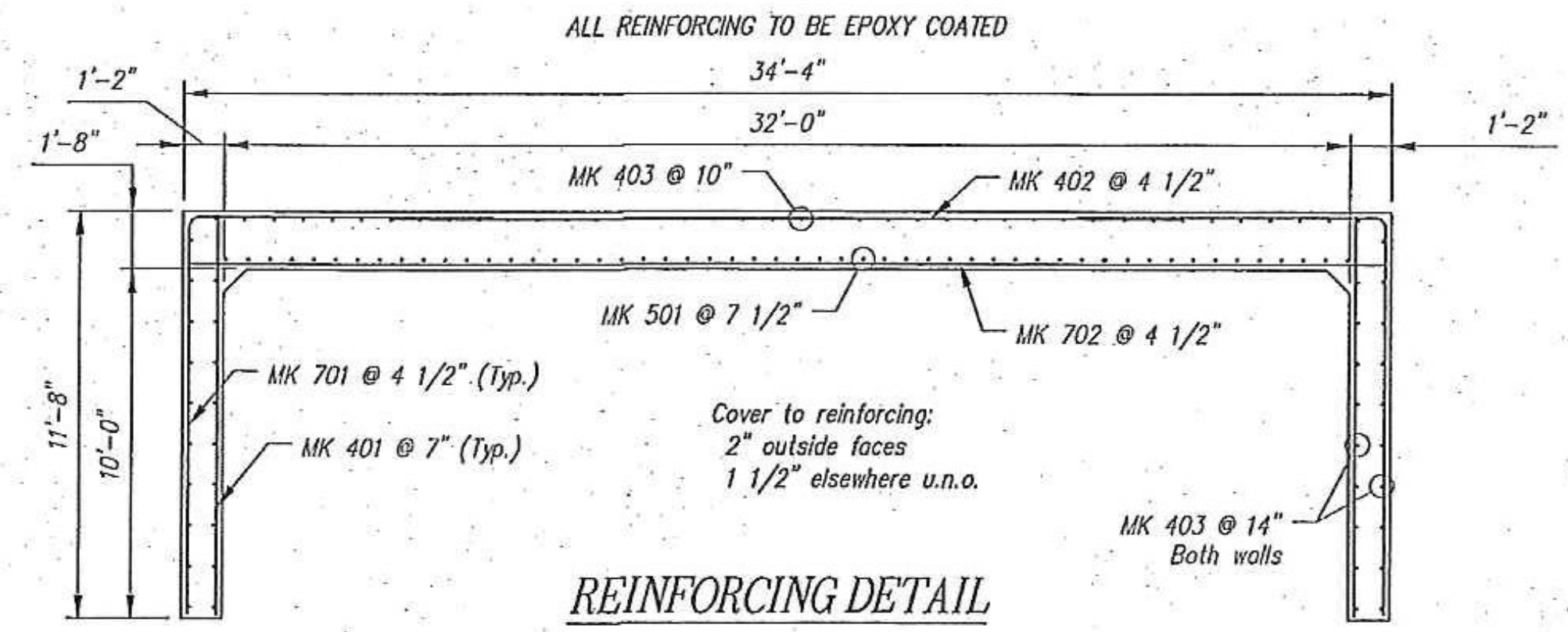
REVIEWED AS REQUIRED BY THE CONSTRUCTION CONTRACT DOCUMENTS AND APPROVED, BUT ONLY FOR CONFORMANCE TO THE DESIGN CONCEPT OF THE WORK, AND SUBJECT TO FURTHER LIMITATIONS AND REQUIREMENTS CONTAINED IN THE CONSTRUCTION CONTRACT DOCUMENTS.

REJECTED REVISE AND RESUBMIT FURNISH AS CORRECTED

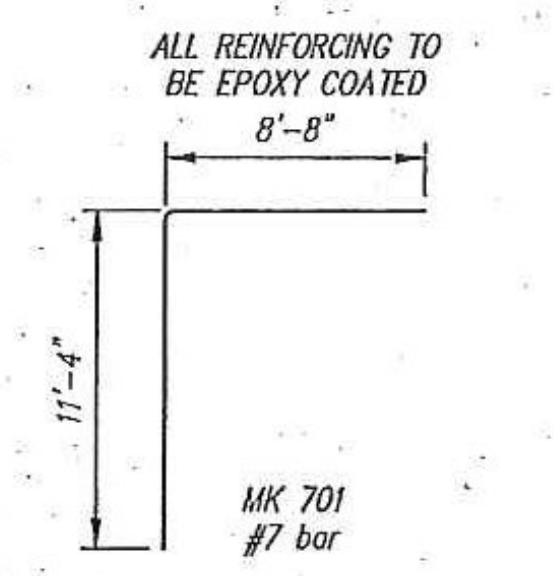
CORRECTIONS OR COMMENTS MADE ON THE SHOP DRAWINGS DURING THIS REVIEW SHALL RELIEVE CONTRACTOR FROM COMPLIANCE WITH REQUIREMENTS OF THE DRAWINGS AND SPECIFICATIONS. THIS CHECK IS ONLY FOR REVIEW OF GENERAL CONFORMANCE WITH THE DESIGN CONCEPT OF THE PROJECT AND GENERAL COMPLIANCE WITH THE INFORMATION GIVEN IN THE CONTRACT DOCUMENTS. THE CONTRACTOR IS RESPONSIBLE FOR CONFIRMING AND CORRELATING ALL QUANTITIES AND DIMENSIONS, SELECTING FABRICATION PROCESSES AND TECHNIQUES OF CONSTRUCTION, COORDINATING HIS WORK WITH THAT OF ALL OTHER TRADES, AND PERFORMING HIS WORK IN A SAFE AND SATISFACTORY MANNER.

VHB Vanasse Hangen Brustlin, Inc.
7055 US Route 7
North Ferrisburgh, VT 05473
802.425.7700

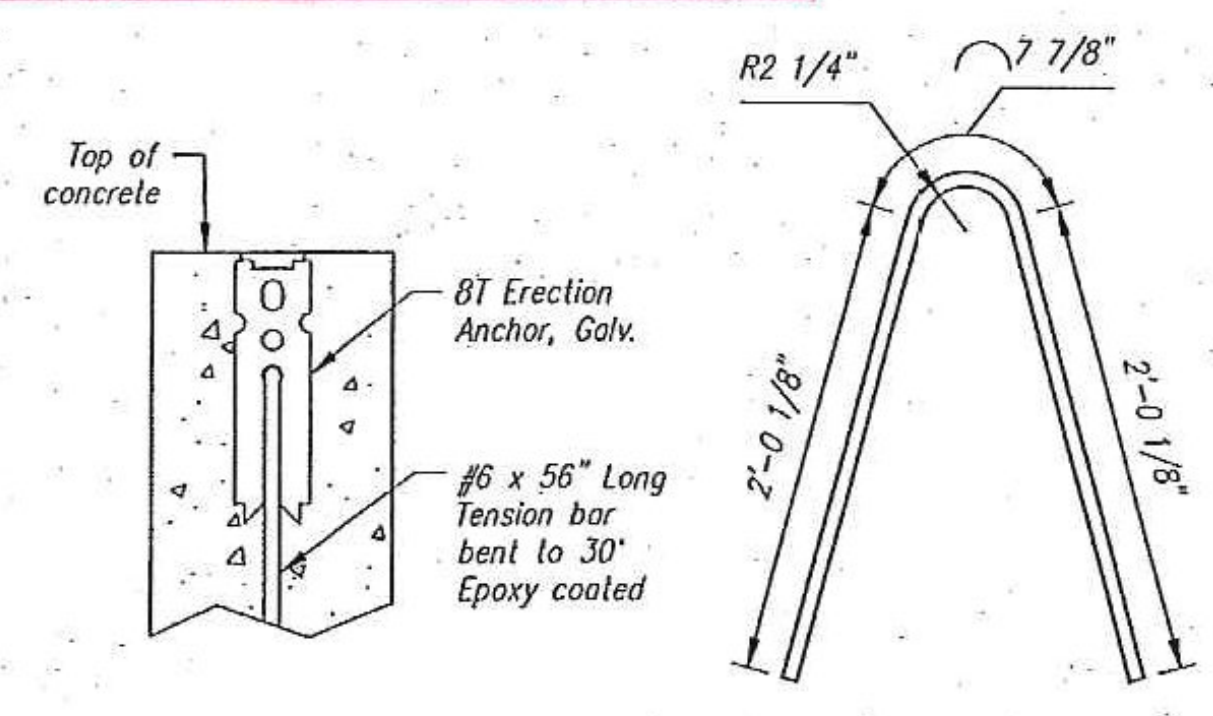
HUBBARDTON BR 96
Job Number: ER STP 0161(26)
Reviewed by: S. FARNSWORTH
Date: 10-16-2012



REINFORCING DETAIL



BENDING SCHEDULE



STRIPPING AND HANDLING
INSERT DETAILS

This drawing is based upon information provided from the following documents and/or sources:

Engineer:
Project No:
Drawings:
Specifications:
Other:

CSI
Concrete Systems Inc.
9 Commercial St., Hudson, NH, 03051
Phone 603-889-4163
Fax 603-889-2417

STATE AGENCY	
VTrans	
Drawn By M SCOTT	Date 09/24/2012
Checked By	Date
Approved By	Date

HUBBARDTON ER STP 0161(26) BRIDGE NO. 96	
J.A. McDONALD, INC. PROPOSED IMPROVEMENT BRIDGE PROJECT HUBBARDTON, VT	
SHOP DRAWING A1	REV 1
C21377-A1	
Quantity: 1	Project No: ER STP 0161(26)
SHEET 1A OF 7A	

STATE OF VERMONT
CHRISTOPHER M. WOOD
NO. 77928
Structural
LICENSED PROFESSIONAL ENGINEER
10/12/12

Stamp for structural design only

Rev.	Date	DESCRIPTION
10		
9		
8		
7		
6		
5		
4		
3		
2		
1	10/12/12	Water repellent to be Penseal 244; Revised tension bar detail