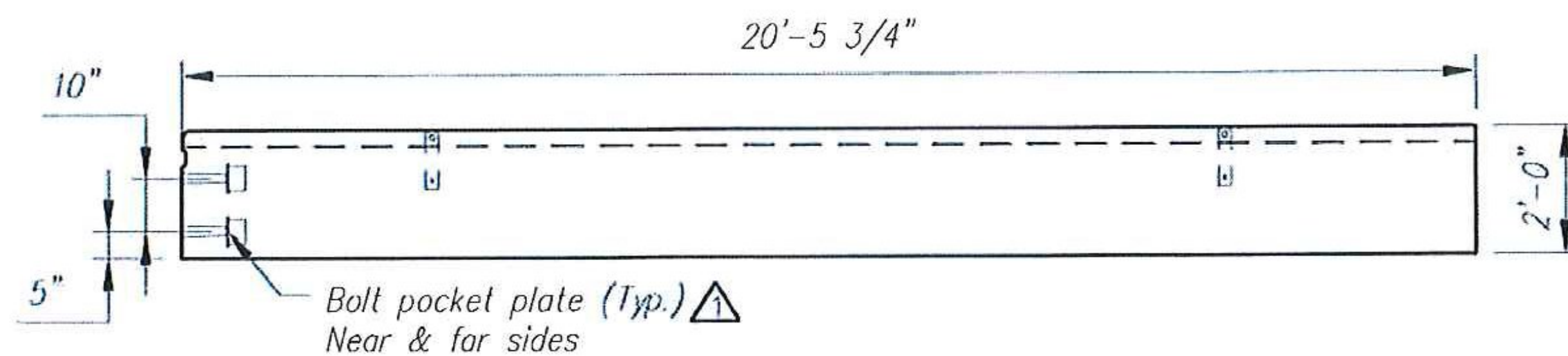
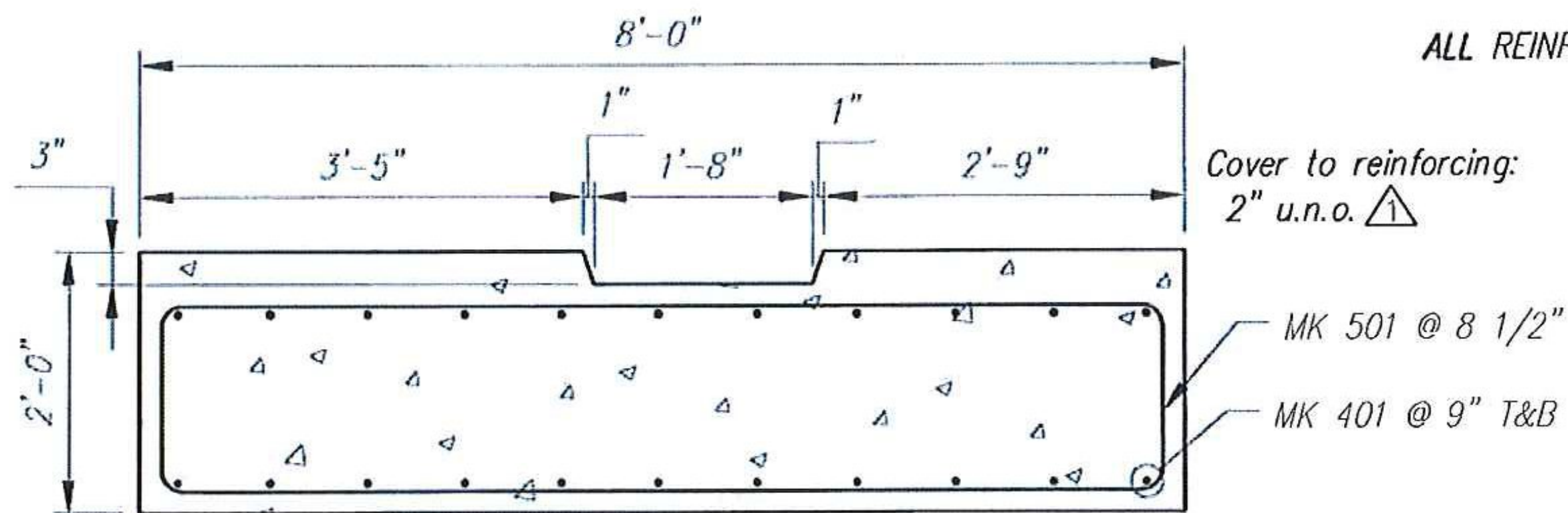


**PLAN**

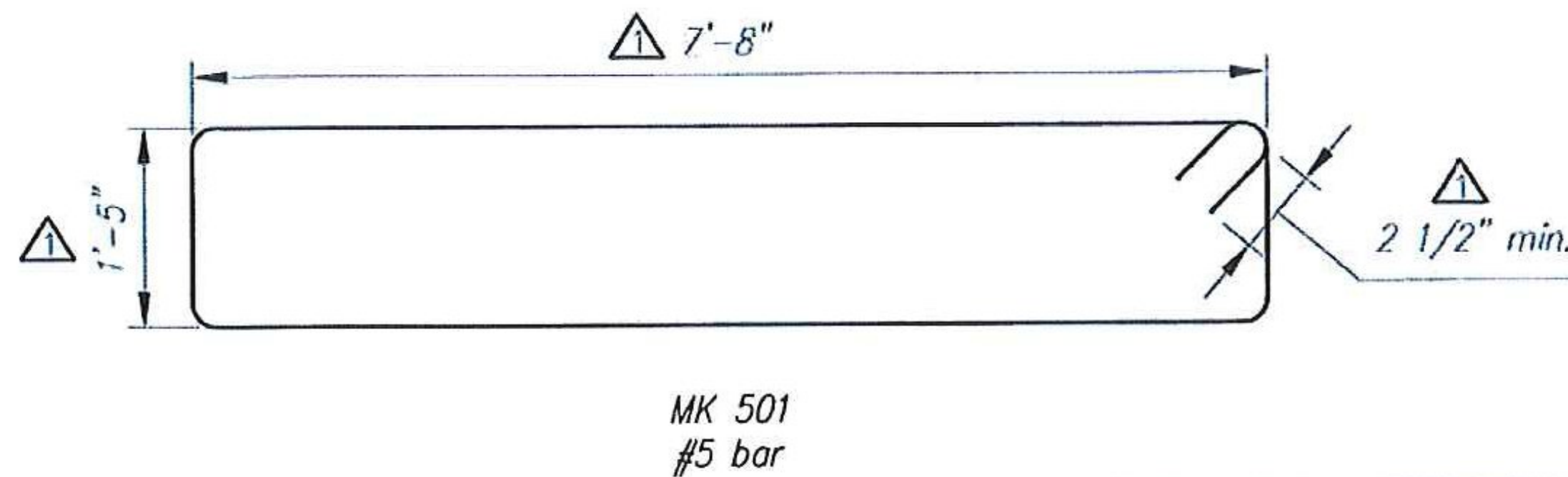


**ELEVATION**

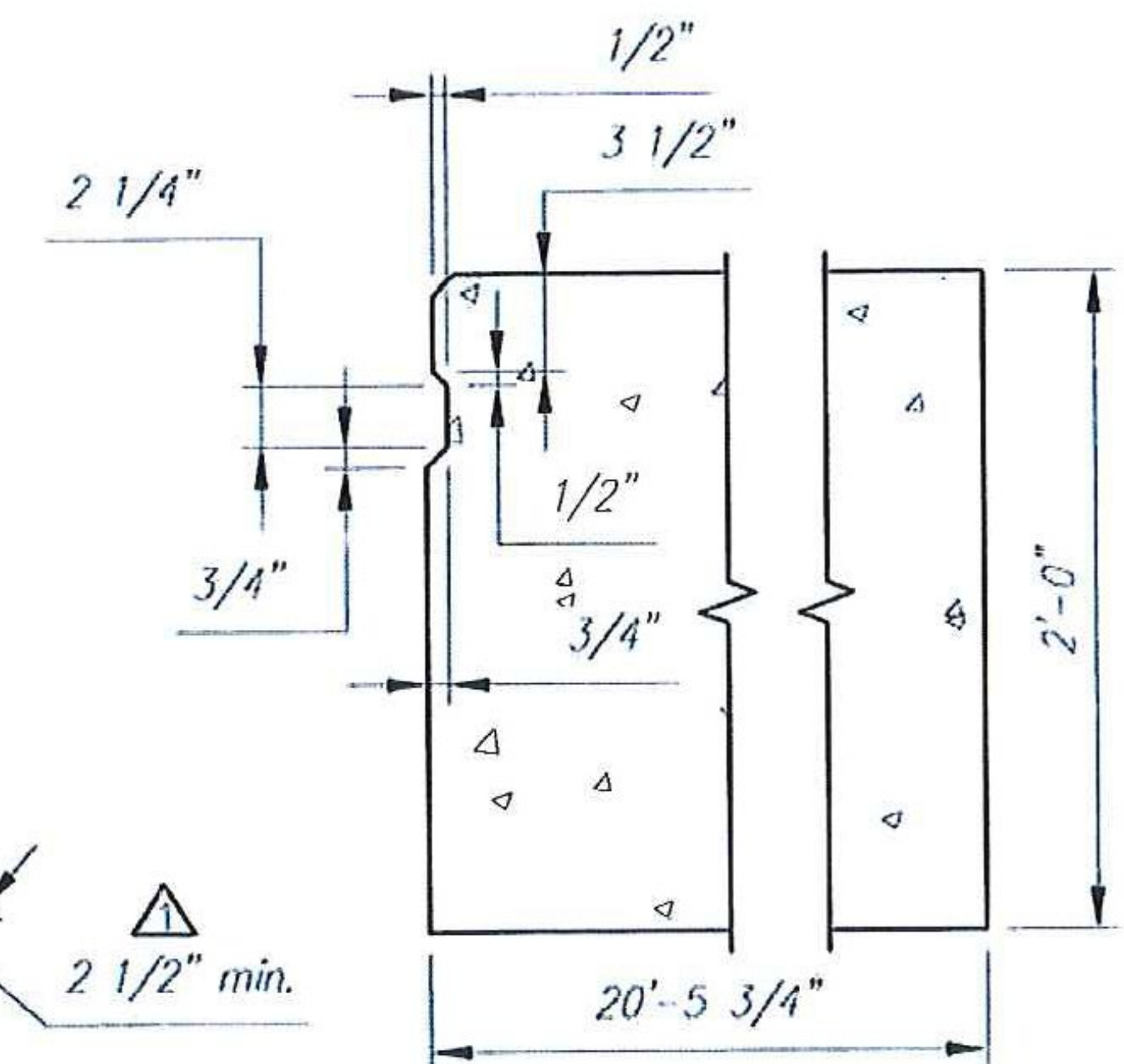


**REINFORCING SECTION A-A**

ALL REINFORCING TO BE EPOXY COATED



**BENDING SCHEDULE**



**SECTION B**

F2 - BILL OF MATERIALS / EMBEDS				
CSI ID#	DESCRIPTION	QTY	UM	COMMENTS
EM-00039	SPREAD ANCHORS 8T GALV	4	EA	
EM-00125	BOLT POCKET PLATES (GALVANIZED)	4	EA	
RM-00014	REBAR #4 EPOXY- GR 60 40'	296	LB	
RM-00016	REBAR #5 EPOXY- GR 60 40'	605	LB	
MX-FA5000SC20	MIX DSGN - FLY ASH - 5000 - SELF COMP	11.80	CY	

All Rebar to be Epoxy Coated

Footing Rebar Schedule			
MK	QTY	LENGTH	
401 #4	22	20' - 2"	
501 #5	29	20' - 0"	

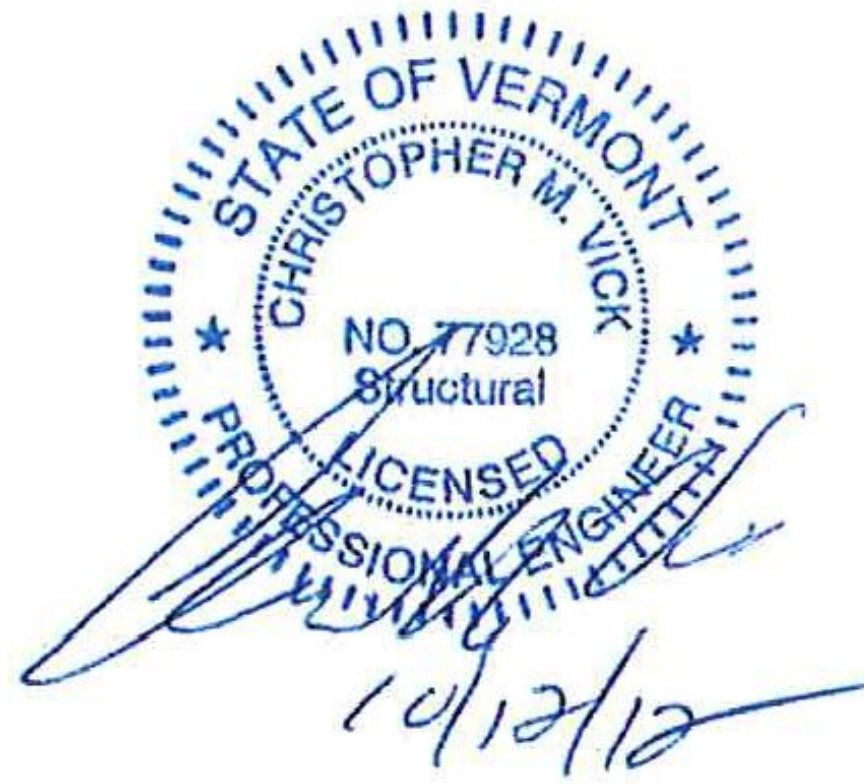
**SHOP DRAWING REVIEW**

REVIEWED AS REQUIRED BY THE CONSTRUCTION CONTRACT DOCUMENTS AND APPROVED, BUT ONLY FOR CONFORMANCE TO THE DESIGN CONCEPT OF THE WORK, AND SUBJECT TO FURTHER REVISIONS AND REQUIREMENTS CONTAINED IN THE CONSTRUCTION CONTRACT DOCUMENTS.

REJECTED  REVISE AND RESUBMIT  FURNISH AS DIRECTED

CONTRACTOR OR COMMENTS BASED ON THE SHOP DRAWINGS SHOULD BE LEAVENED BY THE REBAR CONTRACTOR FROM FURNISHING WITH FURTHER VIEWS OF THE DRAWINGS AND SPECIFICATIONS. THIS WORK IS FOR THE USE OF THE CONTRACTOR AND DOES NOT REPRESENT THE DESIGN CONCEPT OF THE PROJECT AND SHOULD BE CONSULTED WITH THE INFORMATION GIVEN IN THE CONTRACT DOCUMENTS FOR CONSTRUCTION. IT IS THE CONTRACTOR'S RESPONSIBILITY TO VERIFY THE CORRECTNESS OF ALL DIMENSIONS AND SPECIFICATIONS. THE REBAR CONTRACTOR PROFESSIONAL ENGINEER'S REVIEW OF CONSTRUCTION DOCUMENTS DOES NOT CONSTITUTE A GUARANTEE OF THE ACCURACY AND PERFORMANCE OF THE WORK AND IS NOT A SUBSTITUTE FOR THE CONTRACTOR'S OWN REVIEW AND INSPECTION.

**Vanasse Hangen Brustlin, Inc.** HUBBARDTON, VT 05746  
 7055 US Route 7  
 North Ferrisburgh, VT 05473  
 802.252.7788  
 Job Number: ER STP 0161(26)  
 Reviewed By: S. FARNSWORTHY  
 Date: 10-16-2012



Stamp for structural design only

Rev.	Date	DESCRIPTION	By
5			
4			
3			
2			
1	10/12/12	Added bolt plate; Cover to reinforcing to be 2"	MS

**CSI**  
**Concrete Systems Inc.**  
 9 Commercial St., Hudson, NH 03051  
 Phone 603-889-4163  
 Fax 603-889-2417

STATE AGENCY	
Drawn By M SCOTT	Date 09/24/2012
Concrete Cu. Yd. 11.80	Weight in Tons 23.90
Approved By	Date

HUBBARDTON ER STP 0161(26)  
 BRIDGE NO. 96  
 J.A. McDONALD, INC.  
 PROPOSED IMPROVEMENT BRIDGE PROJECT  
 HUBBARDTON, VT

**SHOP DRAWING F2**

Drawing No. C21377-F2

Quantity: 2 Project No: ER STP 0161(26) SHEET 2 OF 2