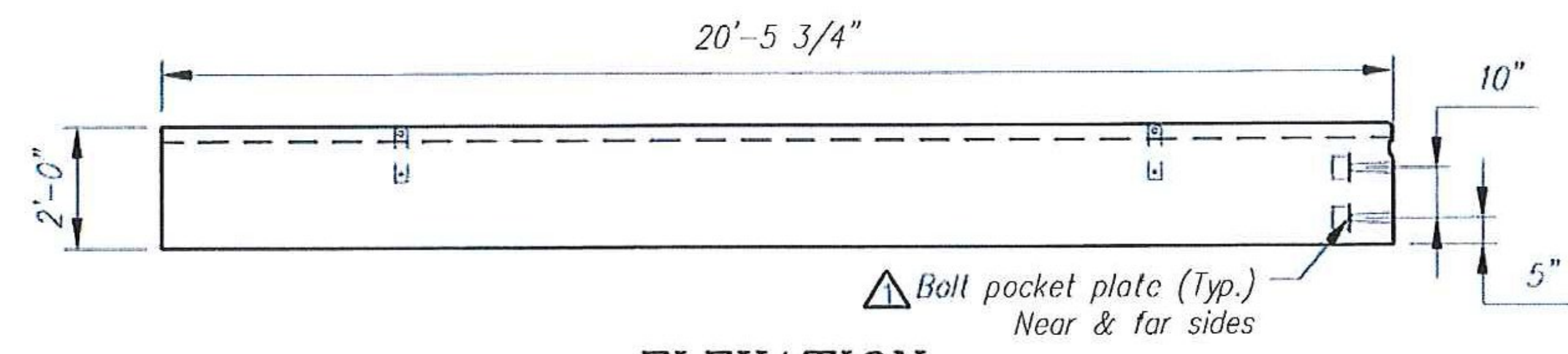
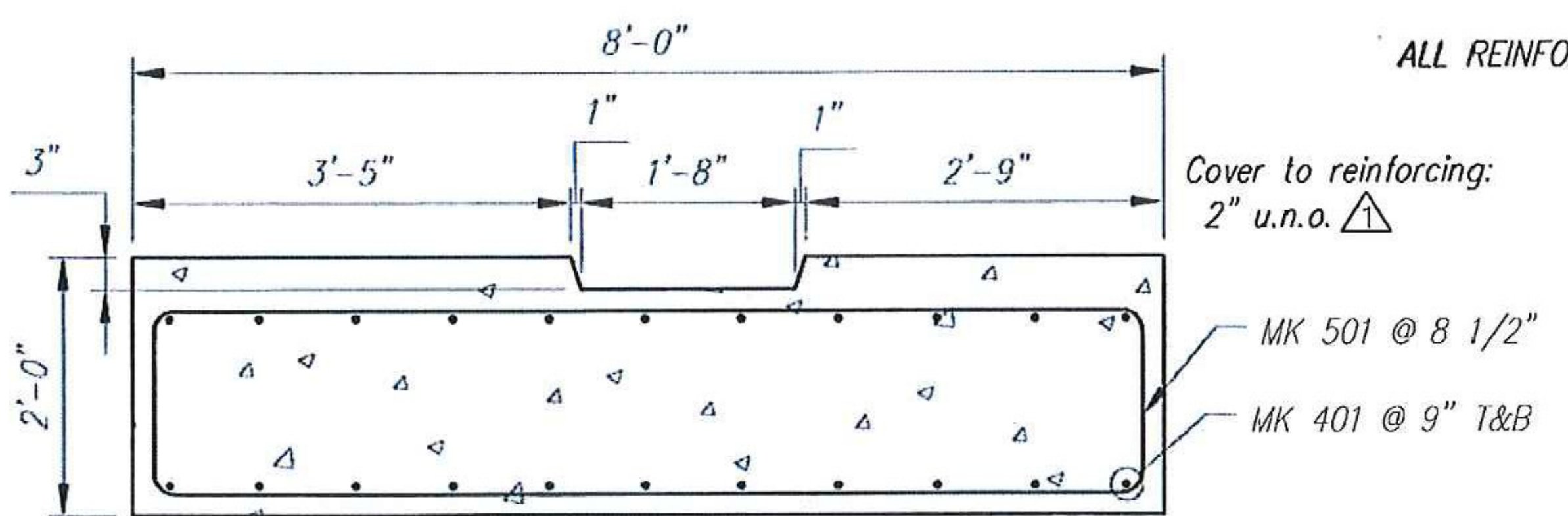


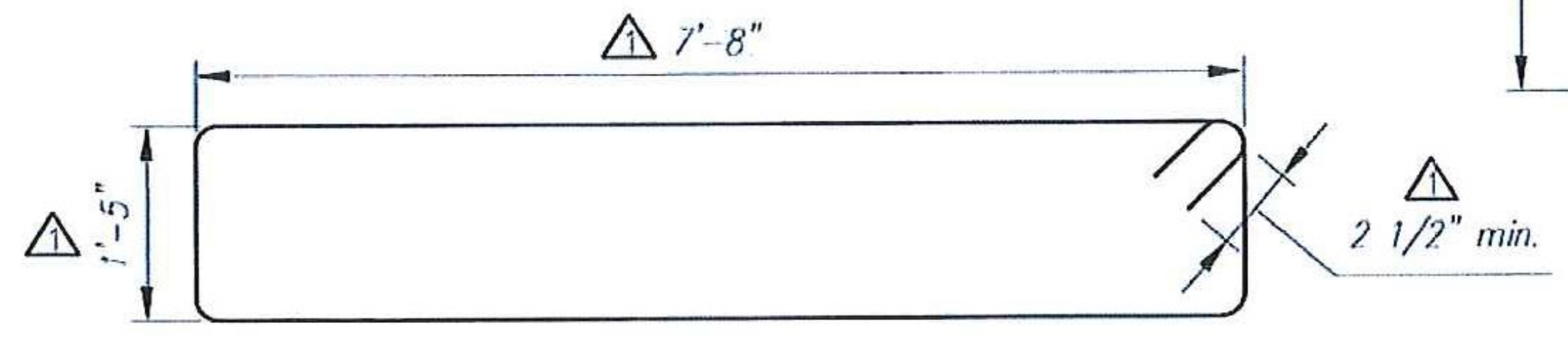
PLAN



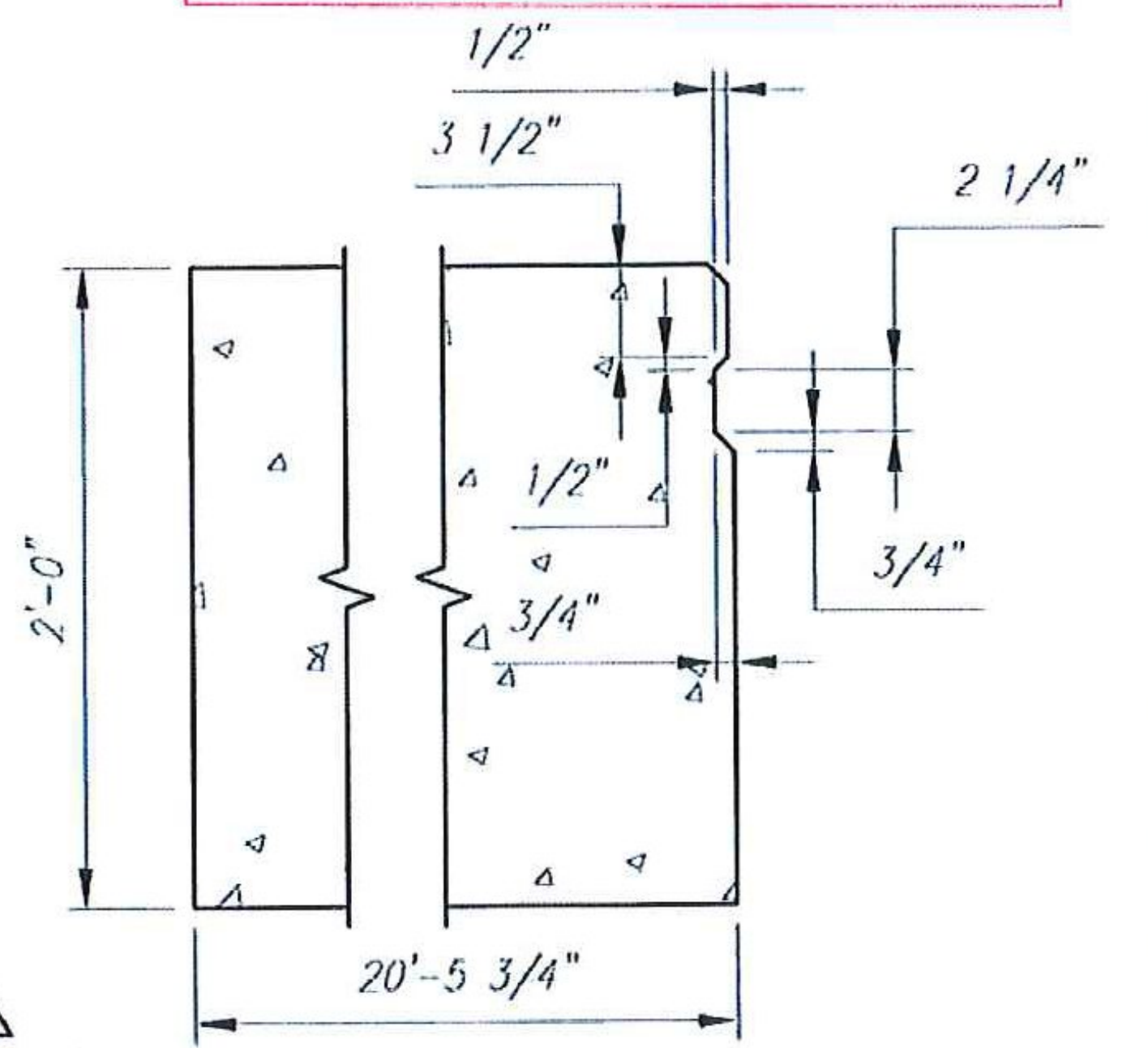
ELEVATION



REINFORCING SECTION A-A



BENDING SCHEDULE



SECTION B

F1 - BILL OF MATERIALS / EMBEDS				
CSI ID#	DESCRIPTION	QTY	UM	COMMENTS
EM-00039	SPREAD ANCHORS 8T GALV	4	EA	
EM-00125	BOLT POCKET PLATES (GALVANIZED)	4	EA	
RM-00014	REBAR #4 EPOXY- GR 60 40'	296	LB	
RM-00016	REBAR #5 EPOXY- GR 60 40'	605	LB	
MX-FA5000SC20	MIX DSGN - FLY ASH - 5000 - SELF COMP	11.80	CY	

All Rebar to be Epoxy Coated

Footing Rebar Schedule			
MK	QTY	LENGTH	
401	#4	22	20' - 2"
501	#5	29	20' - 0"

SHOP DRAWING REVIEW

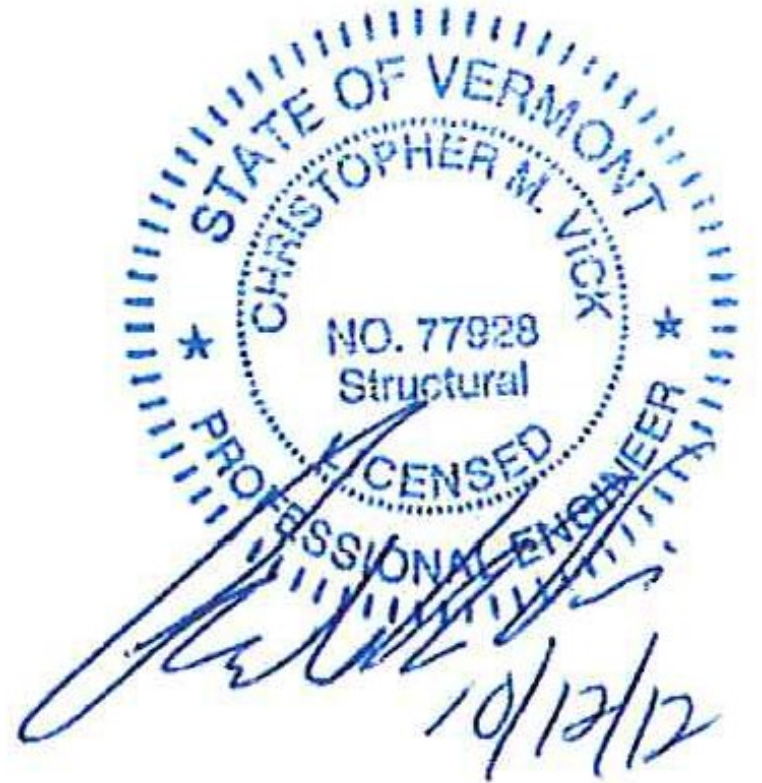
REVIEWED AS REQUIRED BY THE CONSTRUCTION CONTRACT DOCUMENTS AND APPROVED, BUT ONLY FOR CONFORMANCE TO THE DESIGN CONCEPT OF THE WORK. NOT SUBJECT TO FURTHER MODIFICATIONS AND REQUIREMENTS CONTAINED IN THE CONSTRUCTION CONTRACT DOCUMENTS.

REJECTED REVISE AND RESUBMIT FURNISH AS CORRECTED

CONTRACTOR OR CONSULTANT SHALL BE RESPONSIBLE FOR THE REVIEW OF THE SHOP DRAWINGS TO BE SUBMITTED TO THE ENGINEER FOR REVIEW. THE ENGINEER'S REVIEW IS LIMITED TO THE DESIGN CONCEPT OF THE PROJECT AND SHALL BE LIMITED TO THE DESIGN CONCEPT OF THE PROJECT AND SHALL BE LIMITED TO THE DESIGN CONCEPT OF THE PROJECT.

YHB Vanasse Hangen Brustlin, Inc.
7080 WISCONSIN AVE
MADISON, WISCONSIN 53719
608-425-7700

Hubbardton, BR 96
Job Number ER STP 0161(26)
Reviewed by S. FARNSWORTH
Date 10-16-2012



Stamp for structural design only

ALL REINFORCING TO BE EPOXY COATED

Rev.	Date	DESCRIPTION	By
5			
4			
3			
2			
1	10/12/12	Added bolt plate; Cover to reinforcing to be 2"	MS
REVISIONS			

CSI
Concrete Systems Inc.
9 Commercial St., Hudson, NH, 03051
Phone 603-889-4163
Fax 603-889-2417

STATE AGENCY
VTrans Working to Get You There
Drawn By M SCOTT
Concrete Cu. Yd. 11.80
Weight in Tons 23.90
Approved By
Date 09/24/2012

HUBBARDTON ER STP 0161(26)
BRIDGE NO. 96
J.A. McDONALD, INC.
PROPOSED IMPROVEMENT BRIDGE PROJECT
HUBBARDTON, VT

SHOP DRAWING F1
Drawing No. C21377-F1

Quantity: 2 Project No: ER STP 0161(26) SHEET 1 OF 2