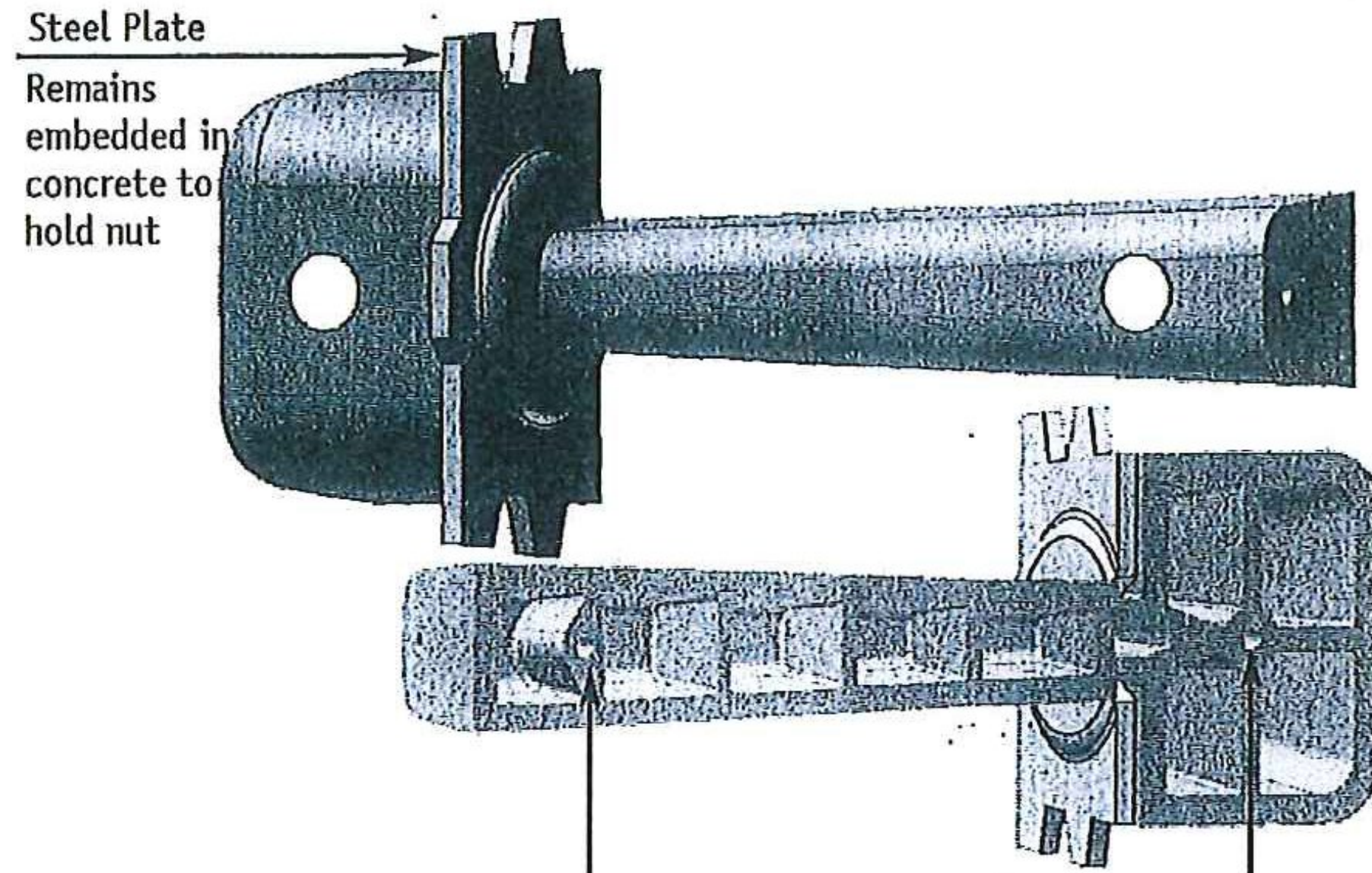


> BOLT POCKET FORMER



Attach to form using either 1/4" bolts or plastic screws. Version with magnets available.

Introducing our Bolt Pocket Former - the ideal solution for tying together sections of box culvert or precast walls. This dual purpose forming device creates both a groove through the joint and a pocket for the bolt. The steel plate that remains embedded in the concrete accepts up to 1" rod. Molded out of a specially formulated urethane, our bolt pocket former will last for at least 50 pours when properly maintained. Call for more details and pricing information.

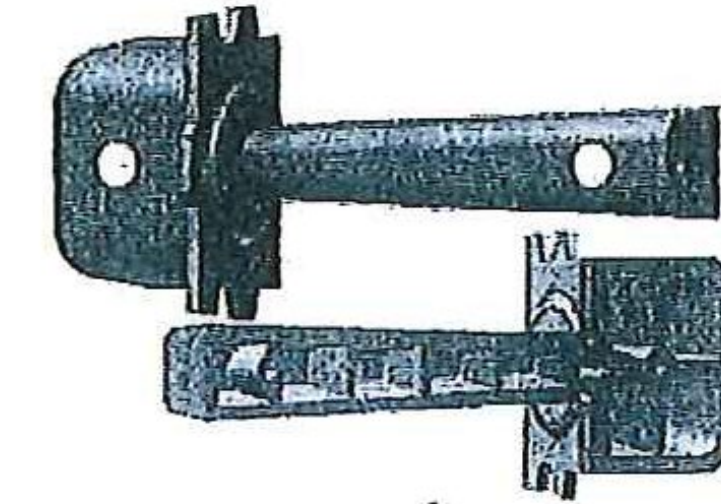



phone: 800.220.4857 sales@pennsylvaniainsert.com fax: 610.948.9750

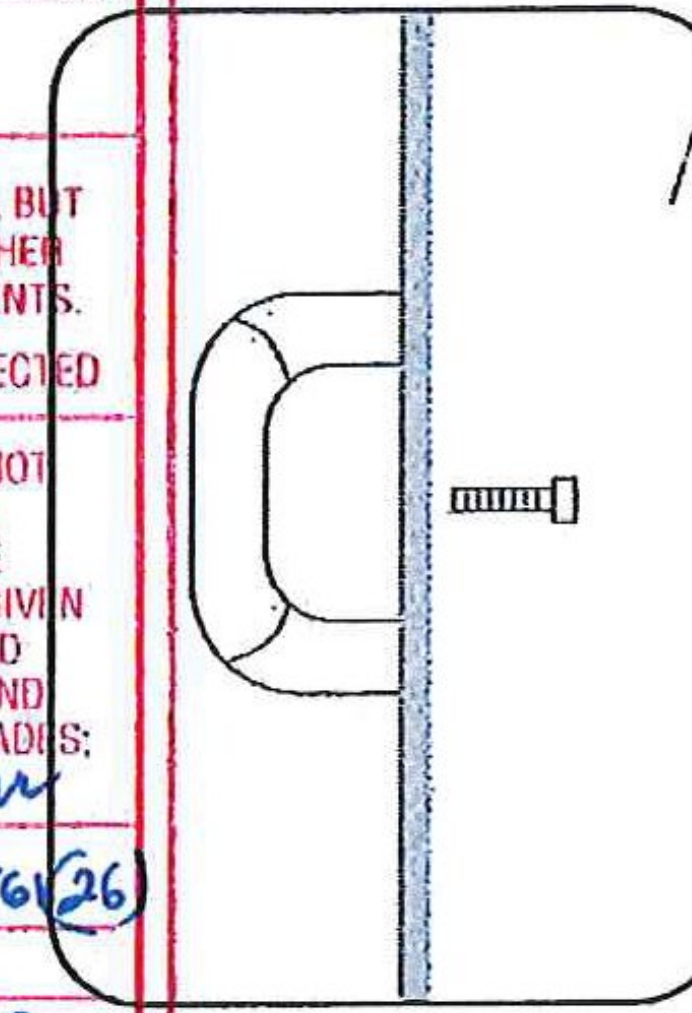
> serving concrete producers for over 30 years

BOLT POCKET FORMER

The simple forming solution for tying together sections of box culvert or precast walls.



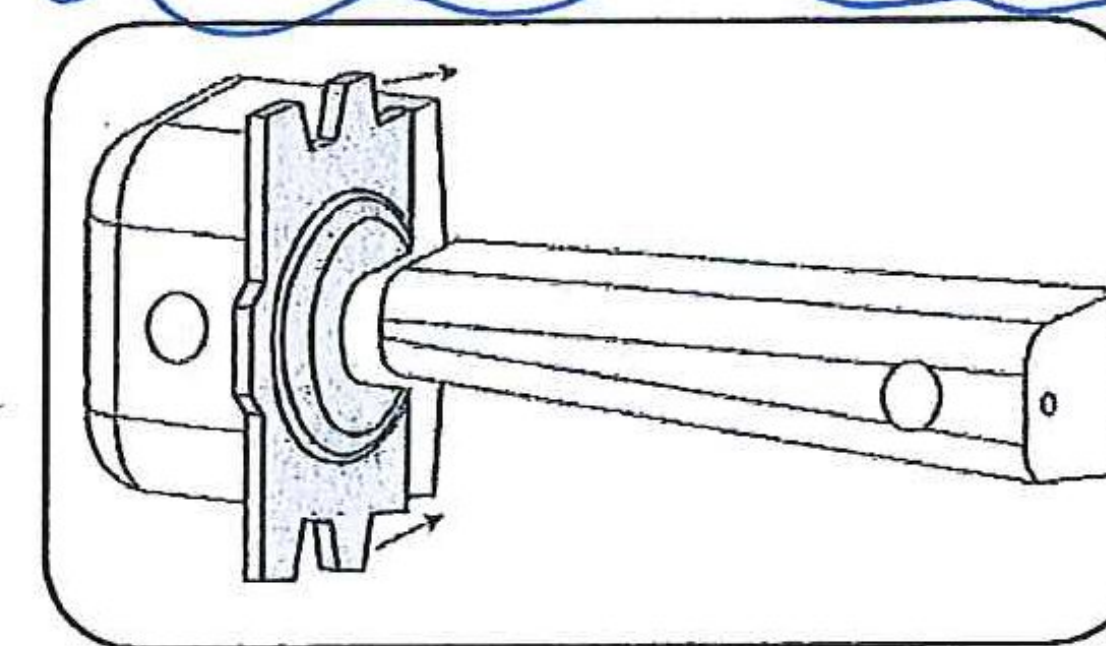
| SHOP DRAWING REVIEW | | |
|---|---|---|
| <input checked="" type="checkbox"/> | REVIEWED AS REQUIRED BY THE CONSTRUCTION CONTRACT DOCUMENTS AND APPROVED, BUT ONLY FOR CONFORMANCE TO THE DESIGN CONCEPT OF THE WORK, AND SUBJECT TO FURTHER LIMITATIONS AND REQUIREMENTS CONTAINED IN THE CONSTRUCTION CONTRACT DOCUMENTS. | |
| <input type="checkbox"/> | REJECTED | <input type="checkbox"/> REVISE AND RESUBMIT <input type="checkbox"/> FURNISH AS CORRECTED |
| CORRECTIONS OR COMMENTS MADE ON THE SHOP DRAWINGS DURING THIS REVIEW DO NOT RELIEVE CONTRACTOR FROM COMPLIANCE WITH REQUIREMENTS OF THE DRAWINGS AND SPECIFICATIONS. THIS CHECK IS ONLY FOR REVIEW OF GENERAL CONFORMANCE WITH THE DESIGN CONCEPT OF THE PROJECT AND GENERAL COMPLIANCE WITH THE INFORMATION GIVEN IN THE CONTRACT DOCUMENTS. THE CONTRACTOR IS RESPONSIBLE FOR: CONFIRMING AND CORRELATING ALL QUANTITIES AND DIMENSIONS; SELECTING FABRICATION PROCESSES AND TECHNIQUES OF CONSTRUCTION, COORDINATING HIS WORK WITH THAT OF ALL OTHER TRADES; AND PERFORMING HIS WORK IN A SAFE AND SATISFACTORY MANNER. <i>HUBBARD 704</i> | | |
|  | Vanasse Hangen Brustlin, Inc. 7056 US Route 7 North Ferrisburgh, VT 05479 802.425.7788 | <i>BR96</i> Job Number: <i>ER STP 016/26</i> Reviewed By: <i>SIF</i> Date: <i>10-26-2012</i> |



1.

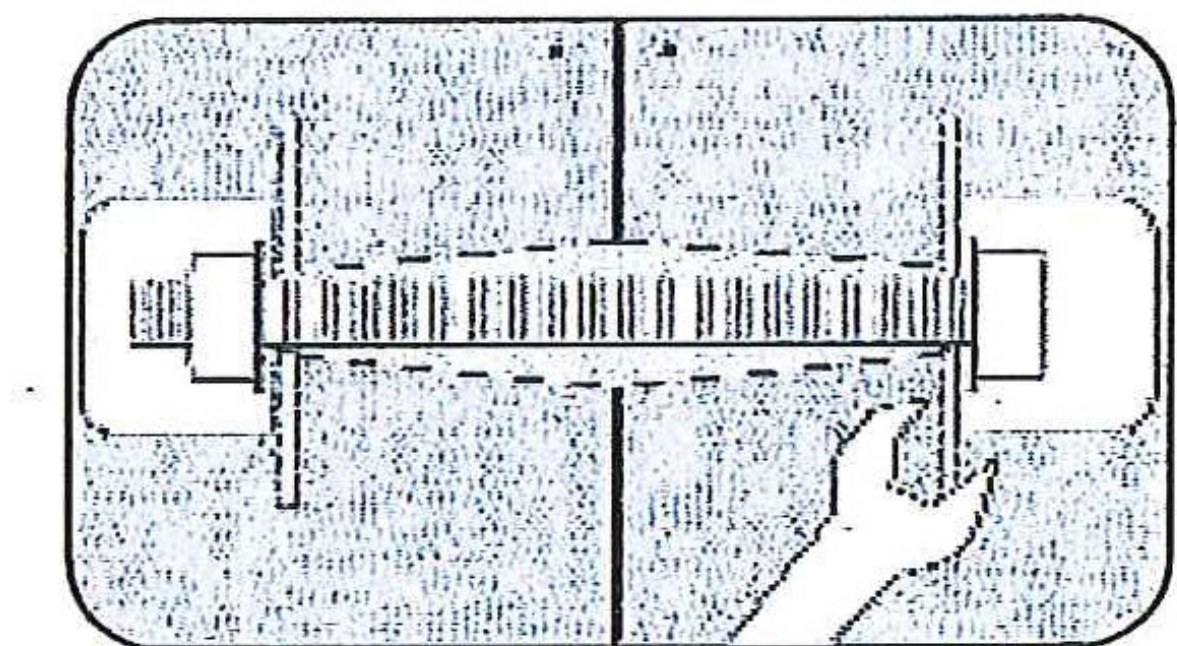
Attach Bolt Pocket Former to form using either 1/4" bolts or plastic screws for non collapsing forms. The inserts are replaceable should the threads show signs of wear after numerous uses.

10F2 SIF 10-16-2012



2.

Slide steel plate onto Bolt Pocket Former. Pour.



3.

After stripping form, slide Bolt Pocket Former out using pliers. Steel plate remains embedded in concrete. A groove through the joint and bolt pocket are formed. For field installation*, the steel plate accepts up to 1" rod. *We provide a field installation kit consisting of rod, 2 nuts, and 2 washers for an additional charge.



FOR INFO. CALL 1-800-220-4857 or sales@pennsylvaniainsert.com