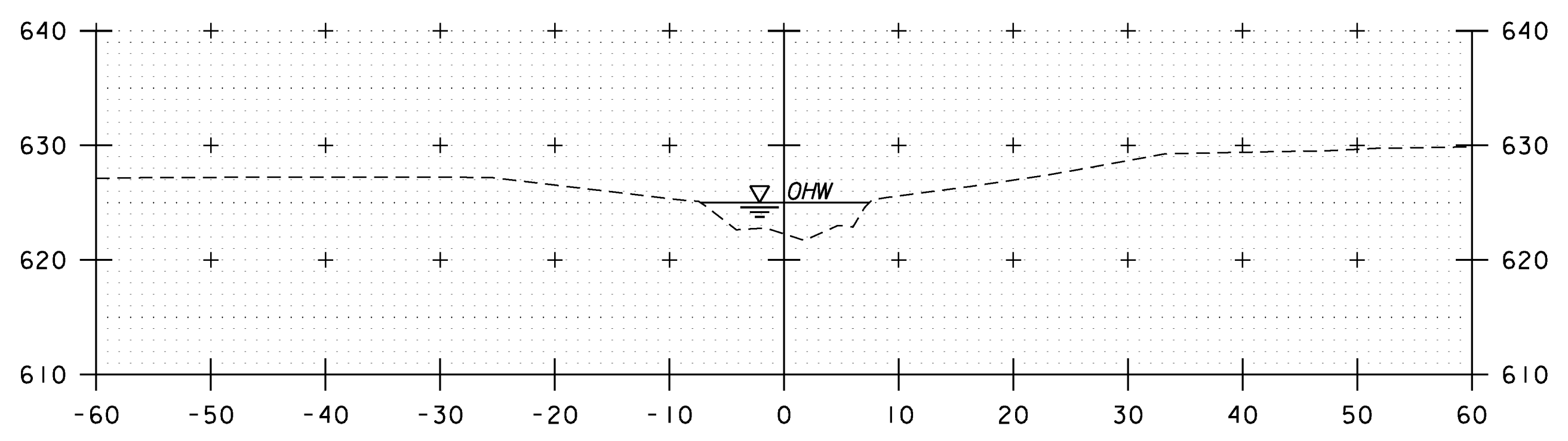


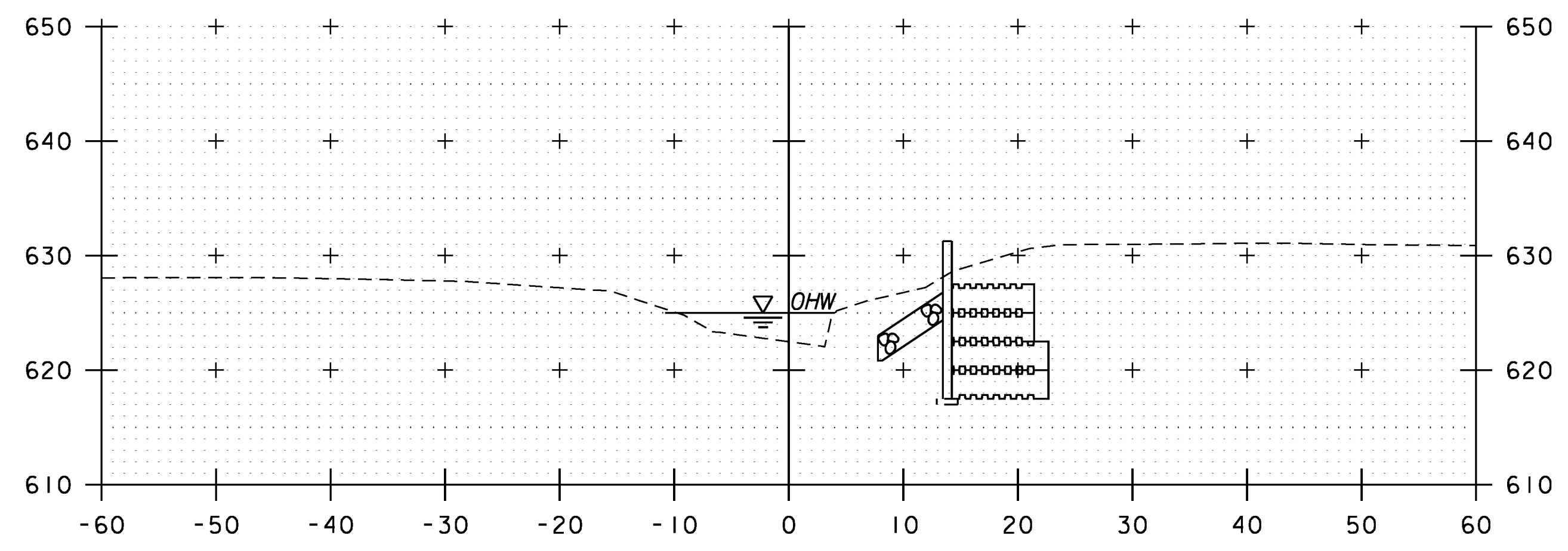
40+25

STA 40+09.5
BEGIN
UNCLASSIFIED CHANNEL EXCAVATION
GEOTEXTILE UNDER STONE FILL
STONE FILL, TYPE II



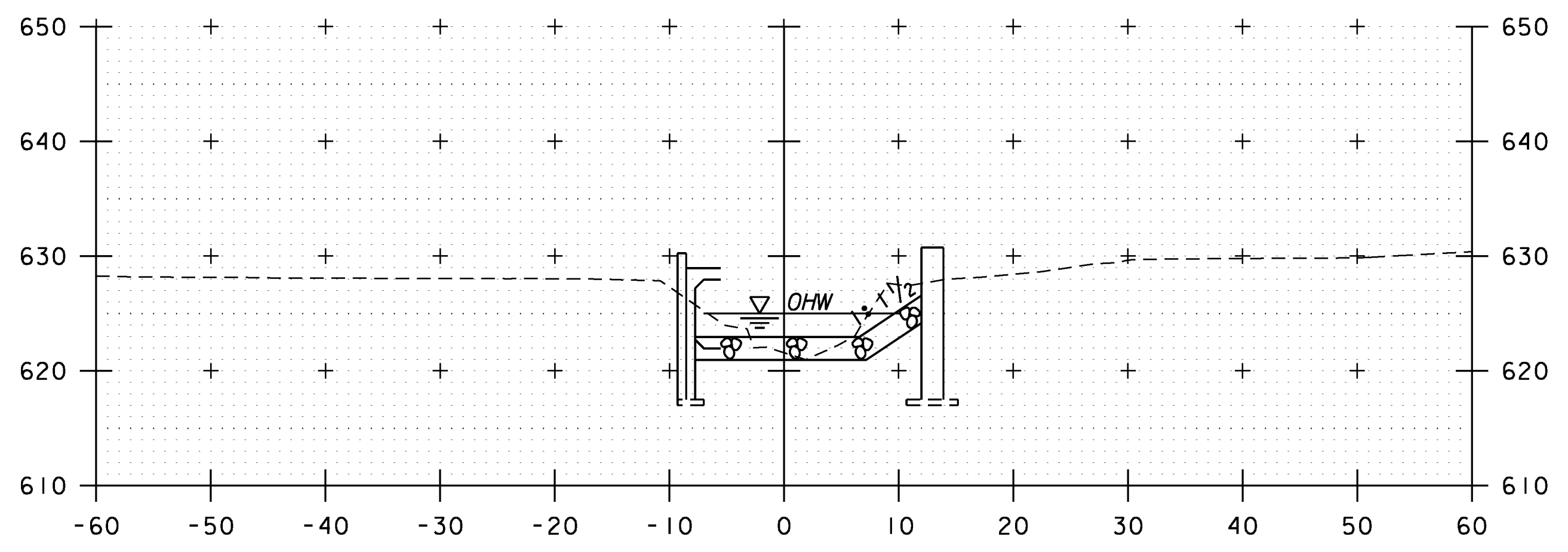
40+75

STA 40+72.1
END UNCLASSIFIED CHANNEL EXCAVATION
GEOTEXTILE UNDER STONE FILL
STONE FILL, TYPE II



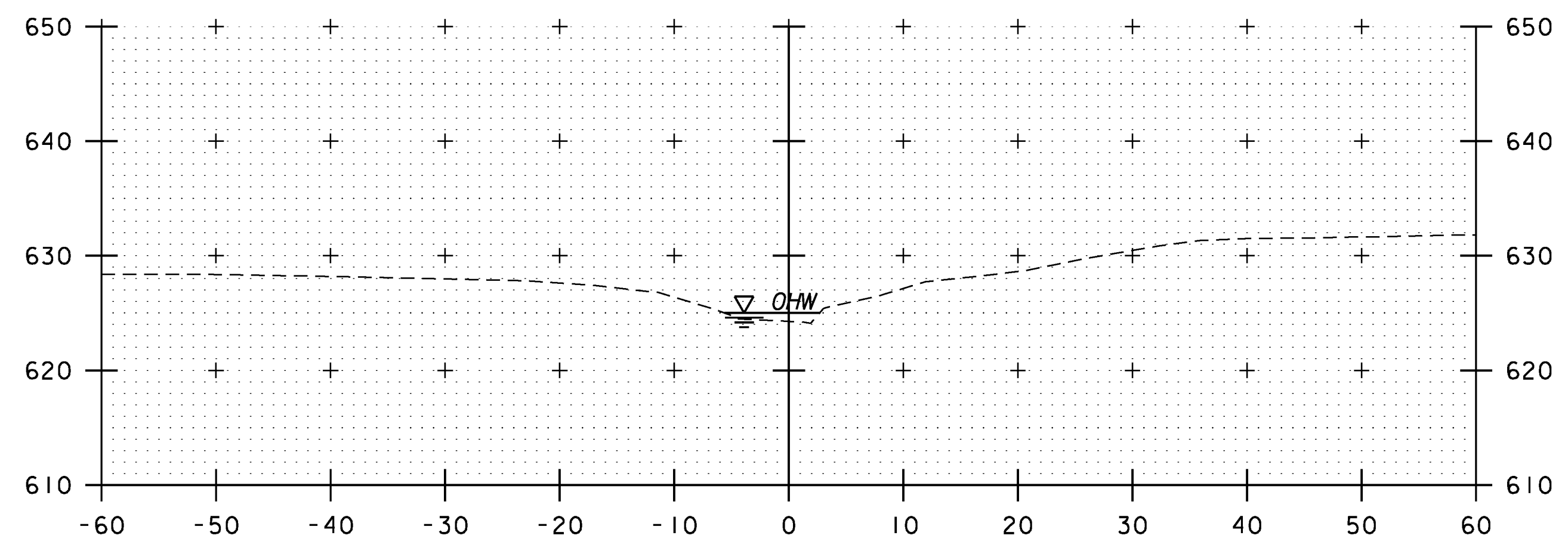
40+15

STA 40+09.5
BEGIN
UNCLASSIFIED CHANNEL EXCAVATION
GEOTEXTILE UNDER STONE FILL
STONE FILL, TYPE II

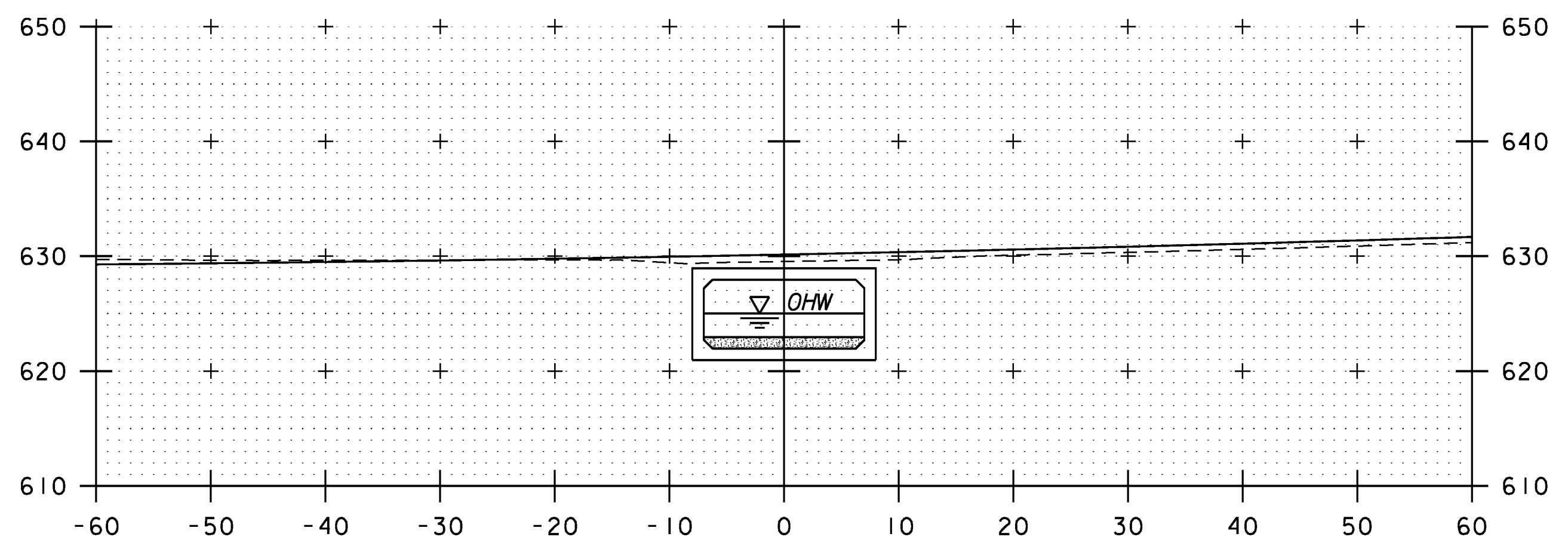


40+65

STA 40+63.3
BEGIN
UNCLASSIFIED CHANNEL EXCAVATION
GEOTEXTILE UNDER STONE FILL
STONE FILL, TYPE II



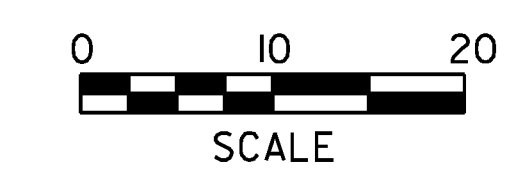
40+00



40+50

CHANNEL CROSS SECTIONS
SCALE 1" = 10' - 0"

STA. 40+00 TO STA. 40+75



PROJECT NAME:	HUBBARDTON
PROJECT NUMBER:	ER STP 0161(27)
FILE NAME:	z1lc290chxs_01.dgn
PROJECT LEADER:	M.A. COLGAN
DESIGNED BY:	S.G. FARNSWORTH
CHANNEL CROSS SECTIONS	
PLOT DATE:	7/16/2012
DRAWN BY:	C.L. CILLEY
CHECKED BY:	S.G. FARNSWORTH
SHEET	70 OF 70