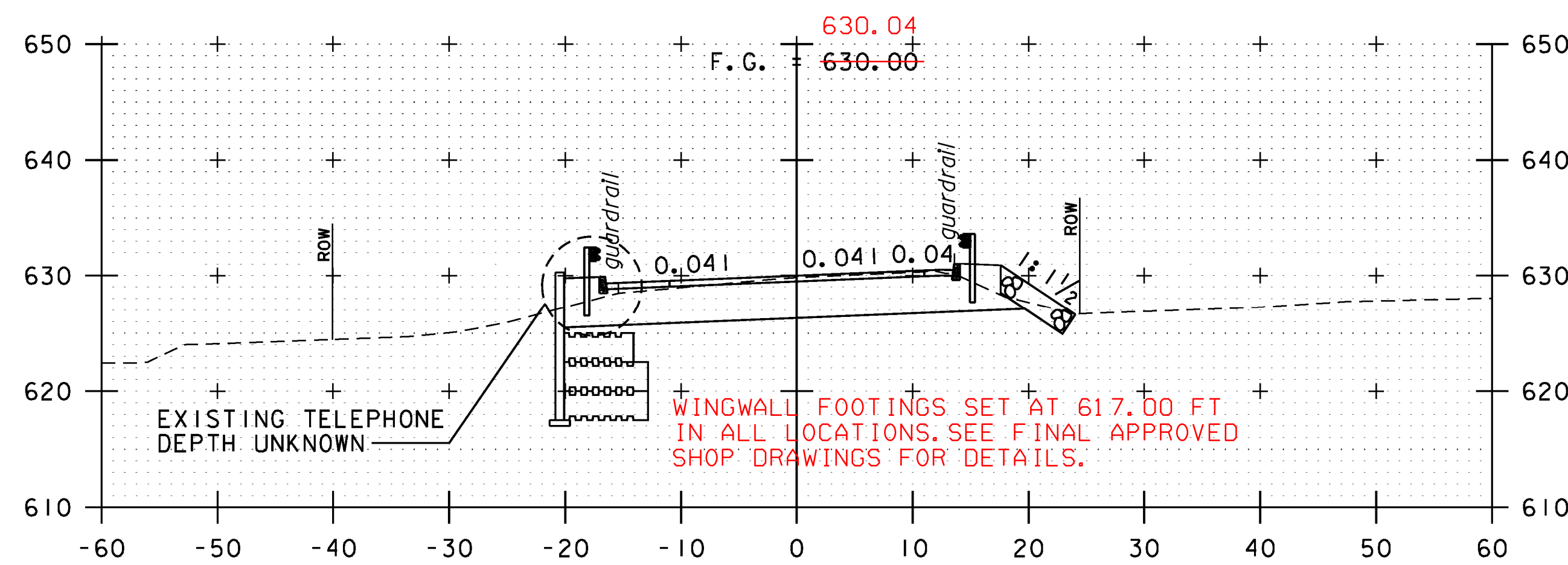
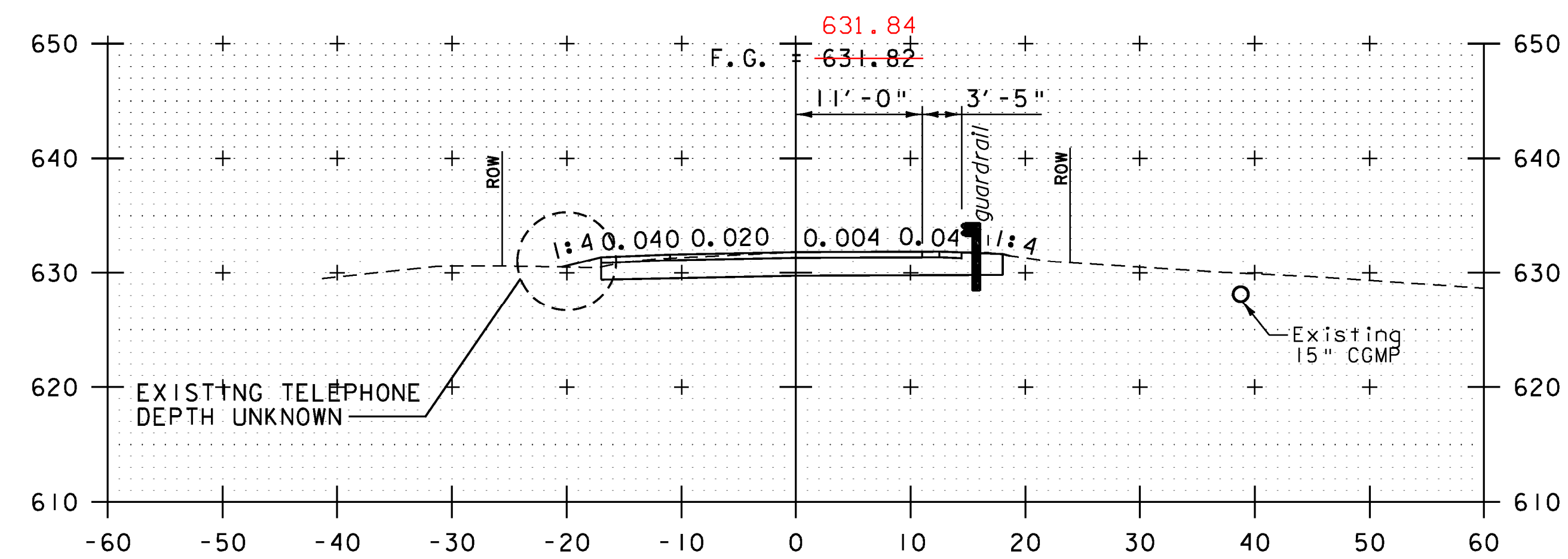


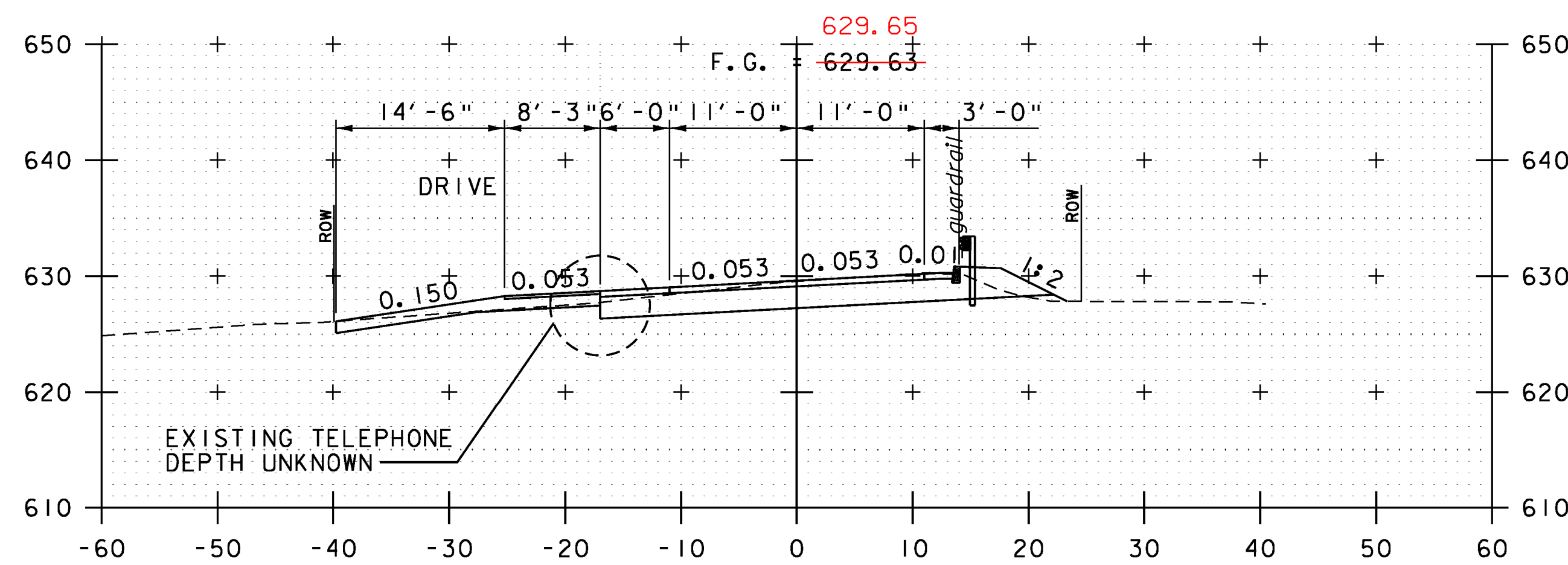
STA 34+31.13 BEGIN BRIDGE



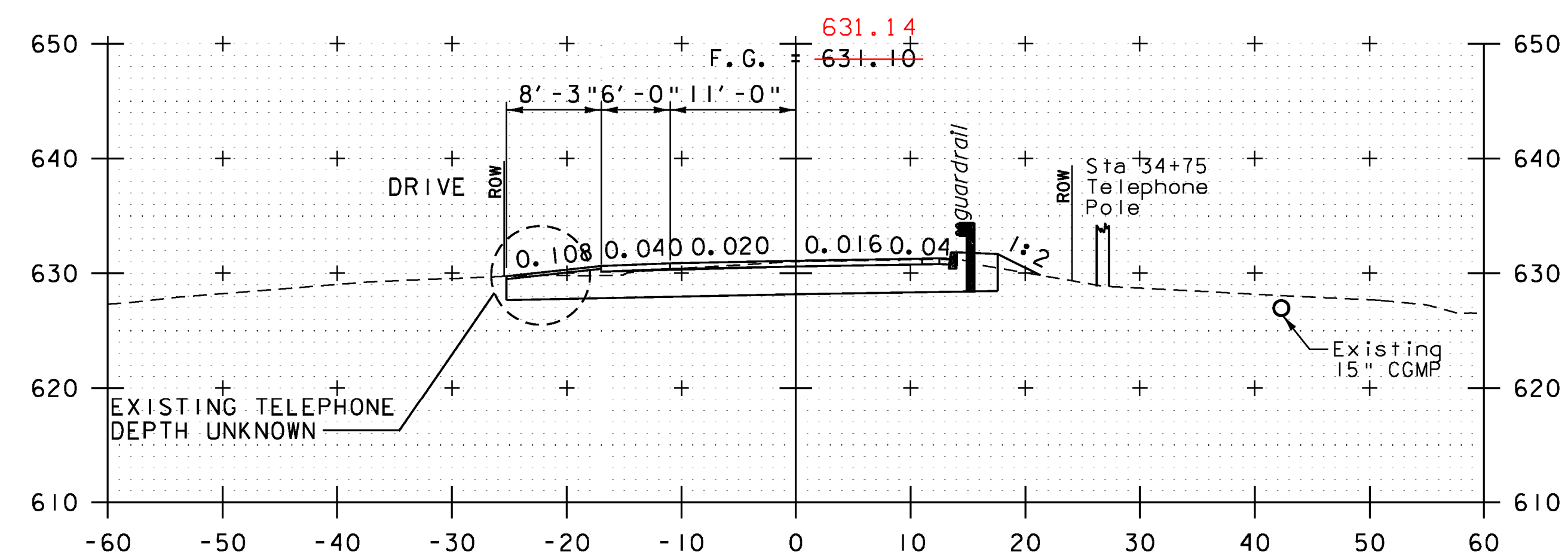
34+25



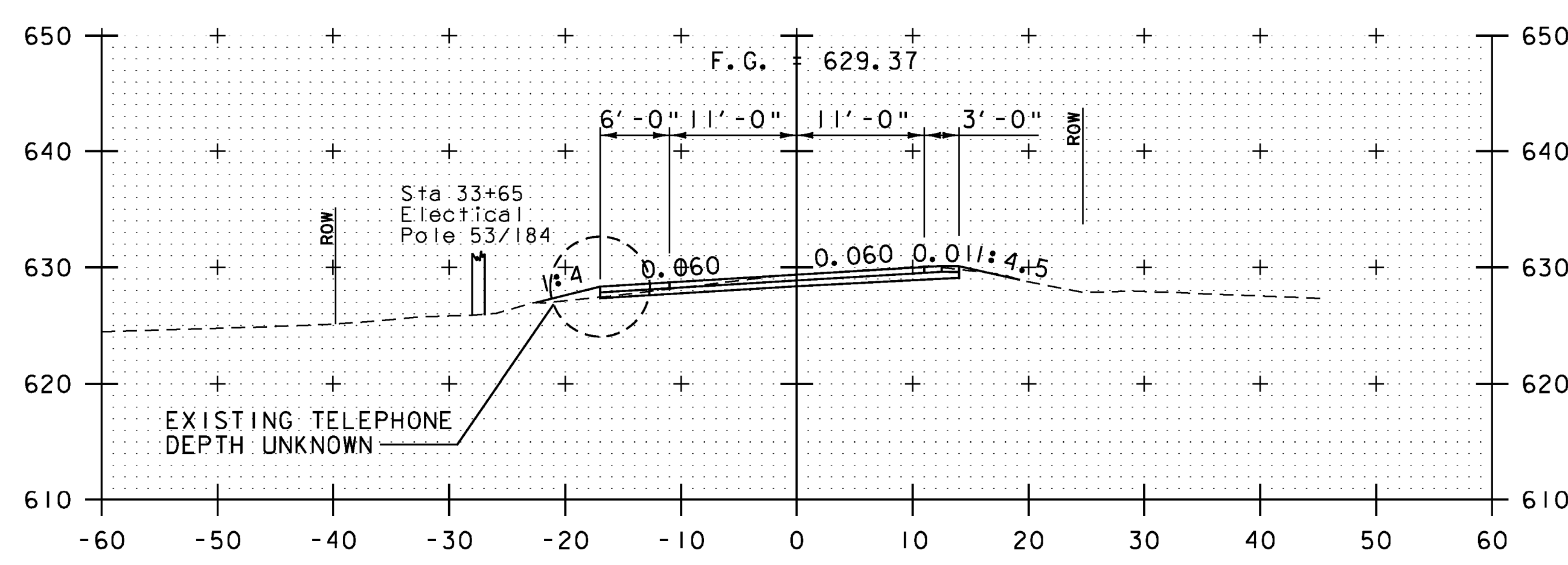
35+00



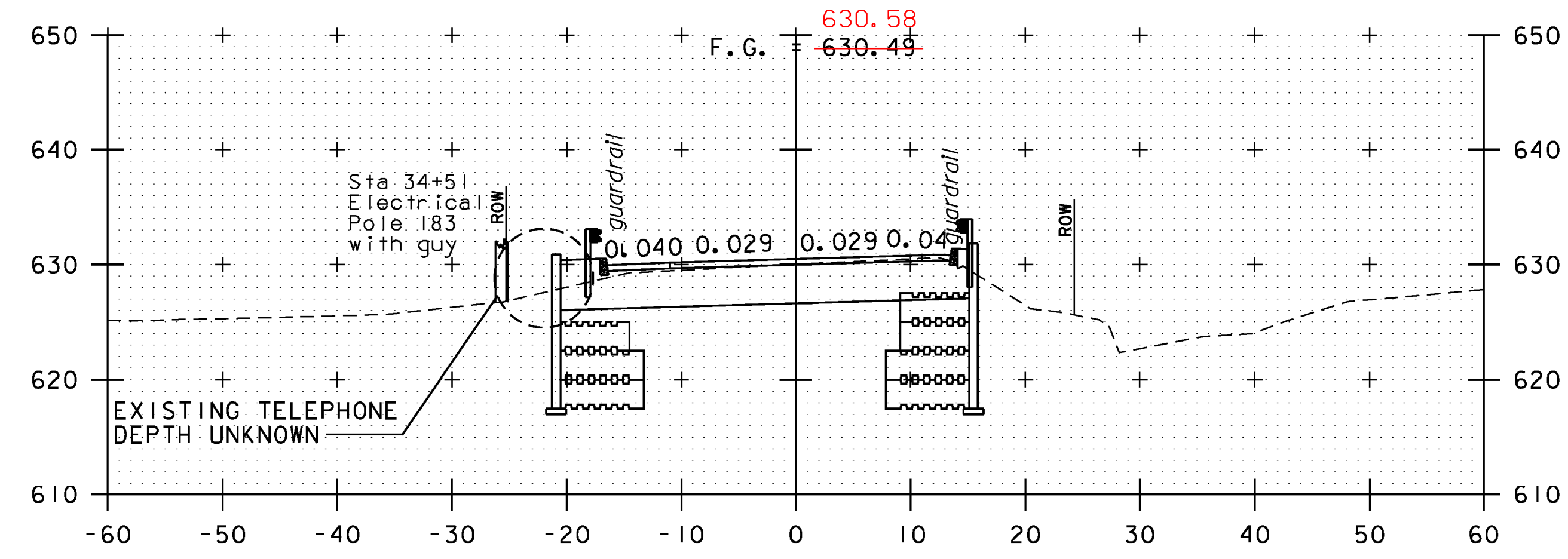
34+00



34+75



BEGIN PROJECT  
33+75



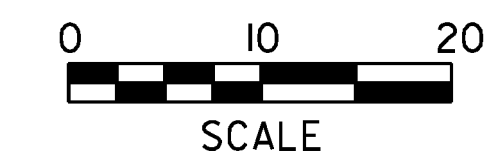
34+50

\* ROADWAY CROSS SECTIONS  
SCALE 1"=10'-0"

STA. 33+75 TO STA. 35+00

\* NOTE: AS BUILT F.G. ELEVATIONS  
ARE BASED ON RAISED STRUCTURE.  
SUBGRADE ELEVATIONS ARE BASED  
ON DESIGN F.G. ELEVATIONS

STA 34+47.25 END BRIDGE



PROJECT NAME: HUBBARDTON	PLOT DATE: 7/16/2012
PROJECT NUMBER: ER STP 0161(27)	DRAWN BY: C.L. CILLEY
FILE NAME: zllc290xs_02.dgn	CHECKED BY: S.G. FARNSWORTH
PROJECT LEADER: M.A. COLGAN	SHEET 68 OF 70
DESIGNED BY: S.G. FARNSWORTH	
ROADWAY CROSS SECTIONS (2 OF 3)	