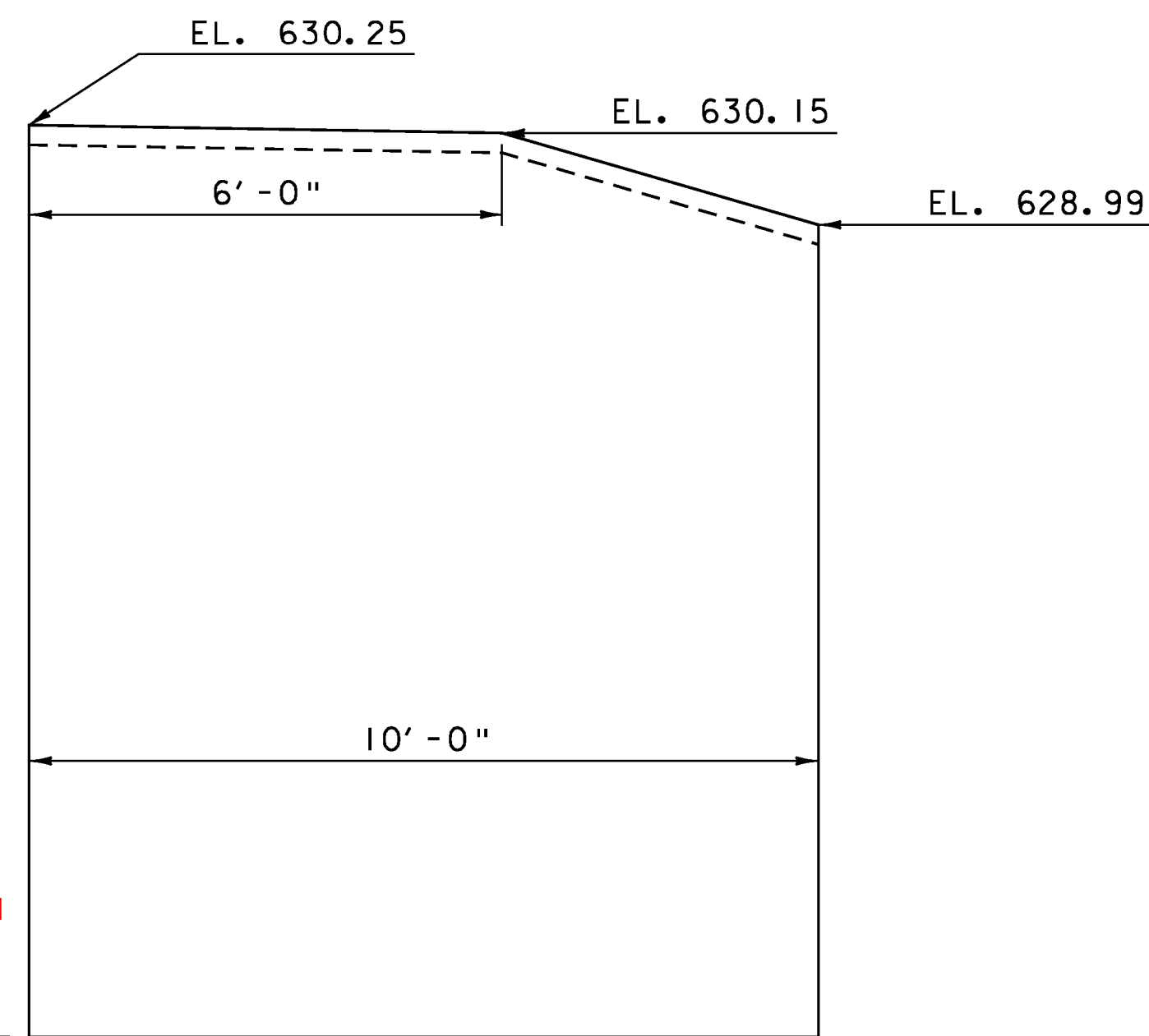


WW#3  
SCALE 1/2" = 1'-0"

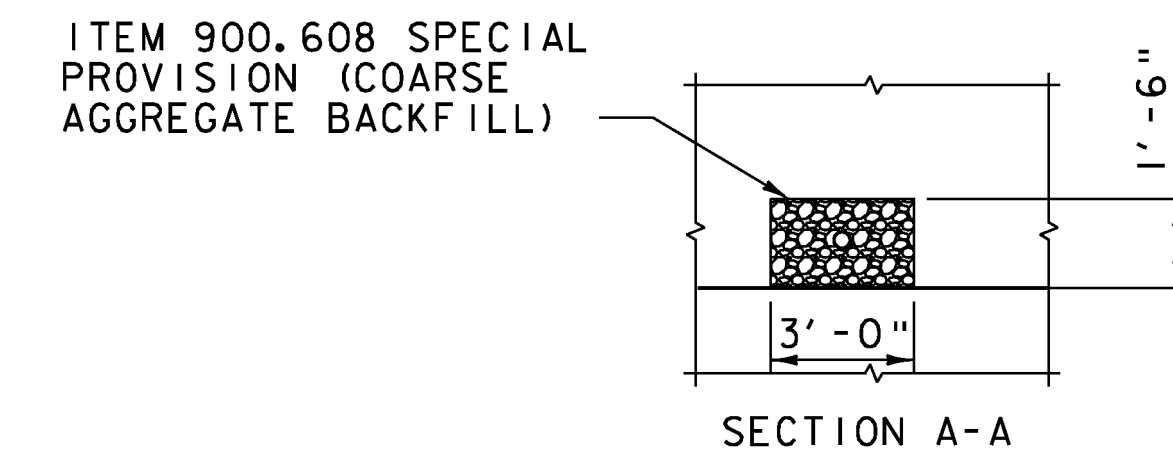
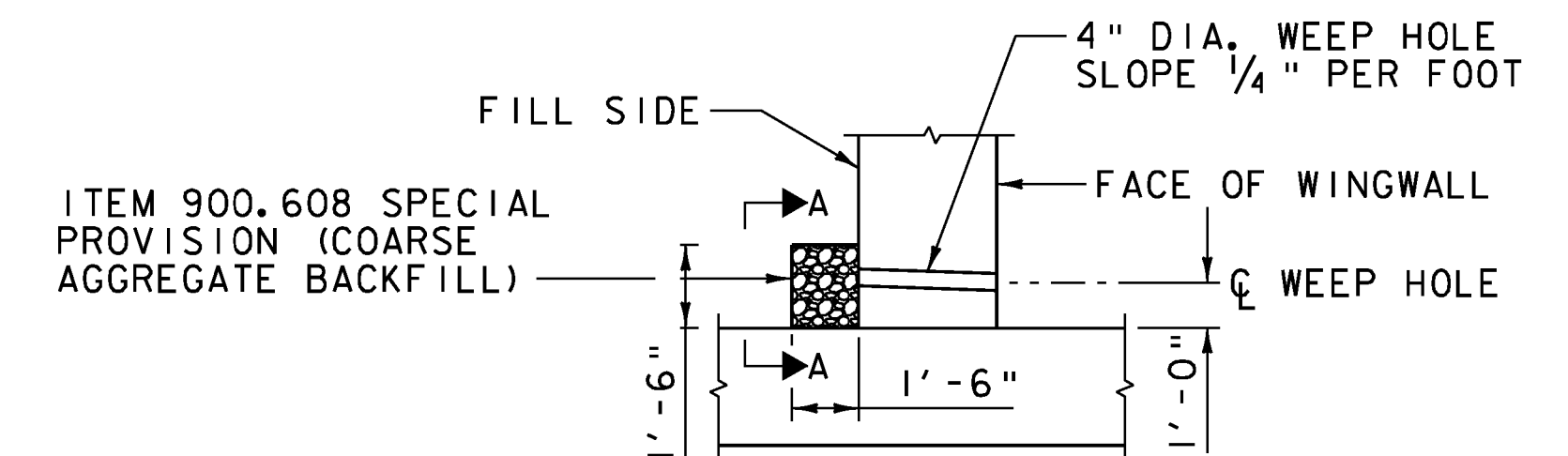
BOX

S. G. FARNSWORTH  
9/17/12  
617.00  
EL. ~~618.70~~

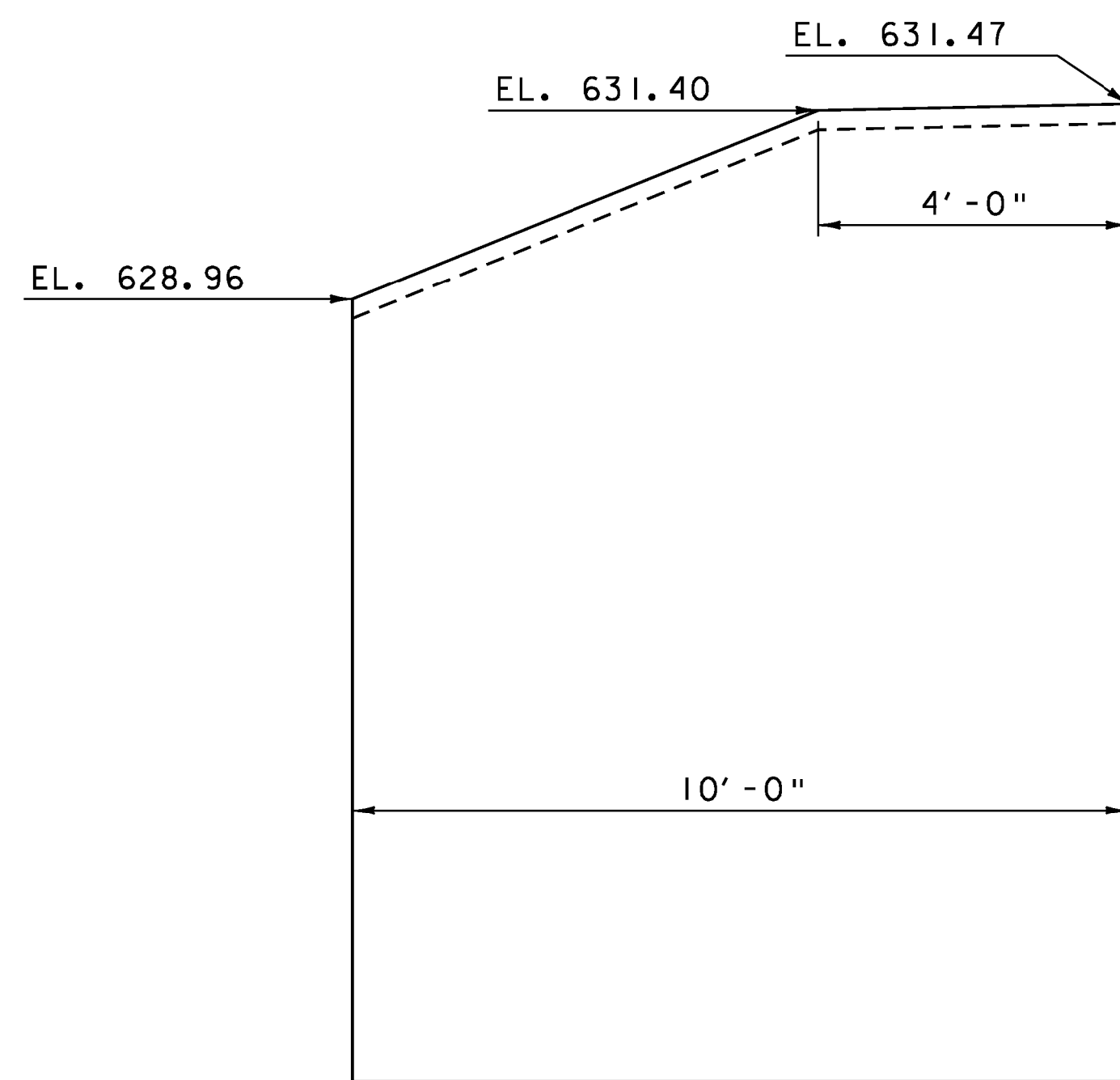
BOTTOM OF FOOTING



WW#1  
SCALE 1/2" = 1'-0"



SECTION A-A  
WEEPHOLE DETAILS  
1/4" = 1'-0"

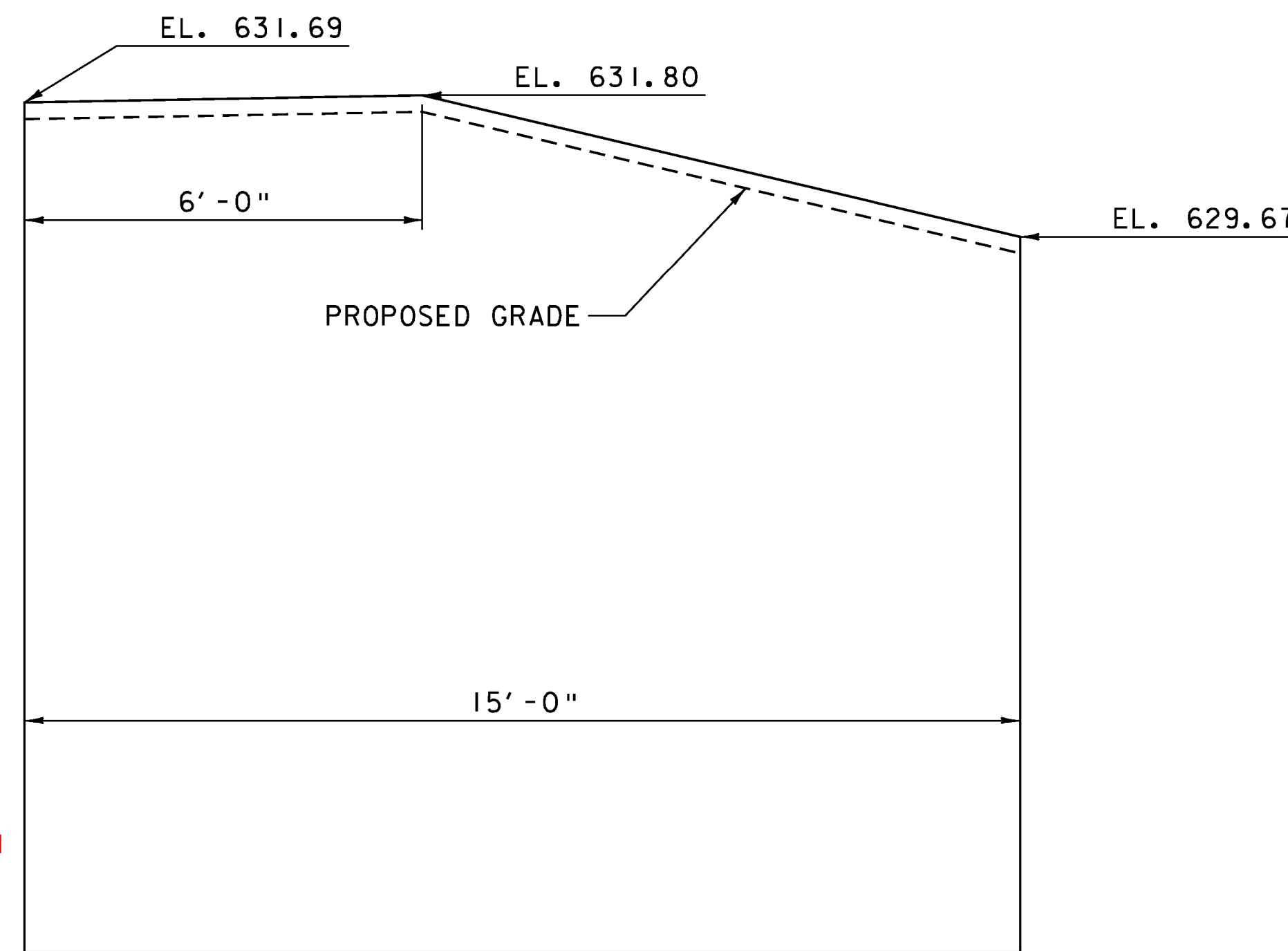


WW#2  
SCALE 1/2" = 1'-0"

BOX

S. G. FARNSWORTH  
9/17/12  
617.00  
EL. ~~618.90~~

BOTTOM OF FOOTING



WW#4  
SCALE 1/2" = 1'-0"

NOTE: SEE FINAL APPROVED SHOP DRAWINGS FOR DETAILS ON PRECAST BOX AND WINGWALLS INCLUDING ELEVATIONS

PROJECT NAME: HUBBARDTON	PLOT DATE: 7/26/2012
PROJECT NUMBER: ER STP 0161(27)	DRAWN BY: E.A. FIALA
FILE NAME: zllc290abutdetail.dgn	CHECKED BY: S.G. FARNSWORTH
PROJECT LEADER: M.A. COLGAN	SHEET 63 OF 70
DESIGNED BY: S.G. FARNSWORTH	
<b>CULVERT PLAN &amp; WINGWALL DETAILS (2 OF 2)</b>	