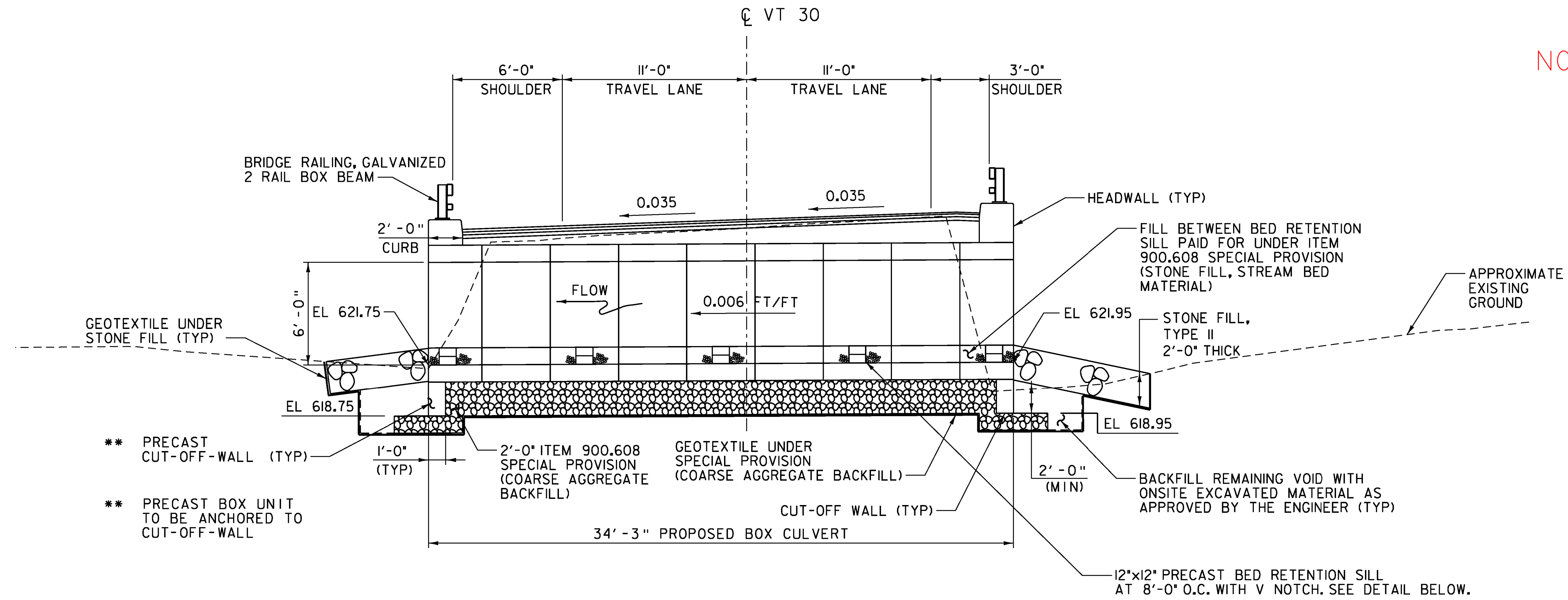
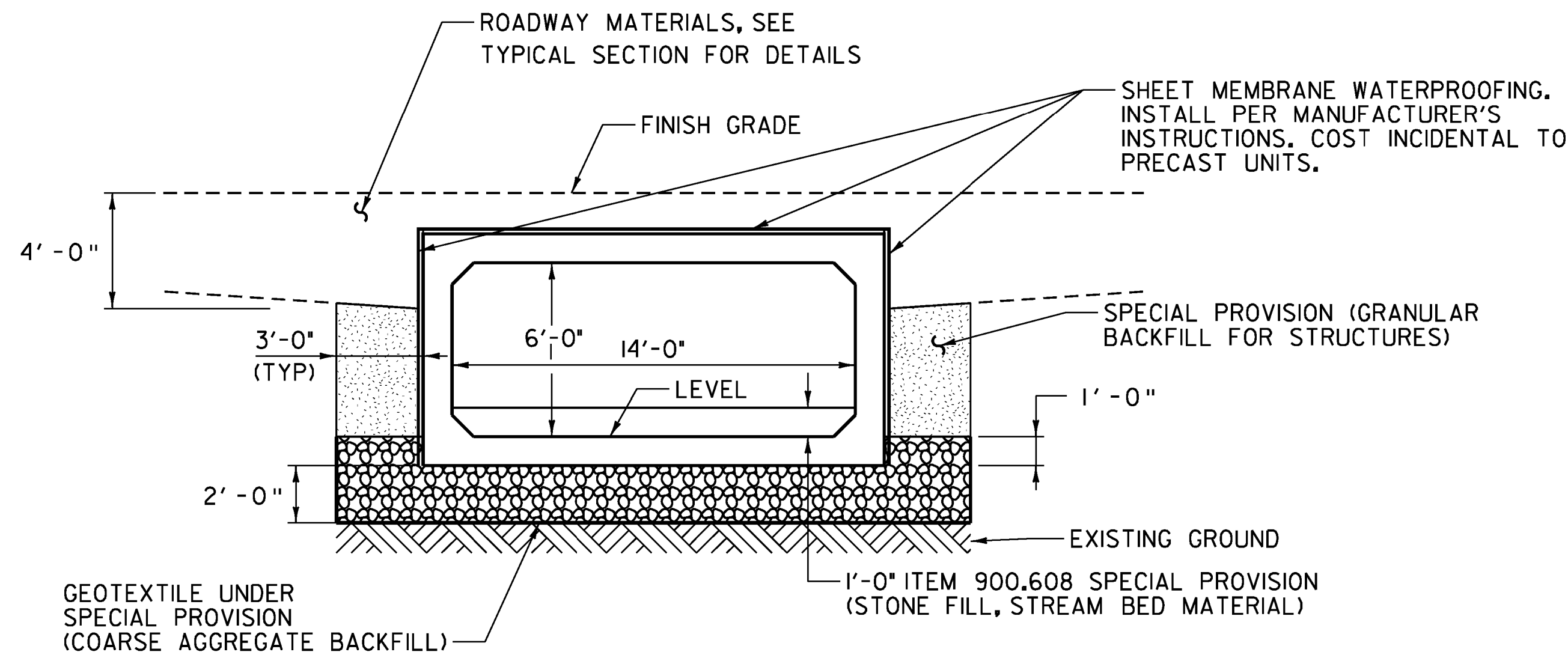


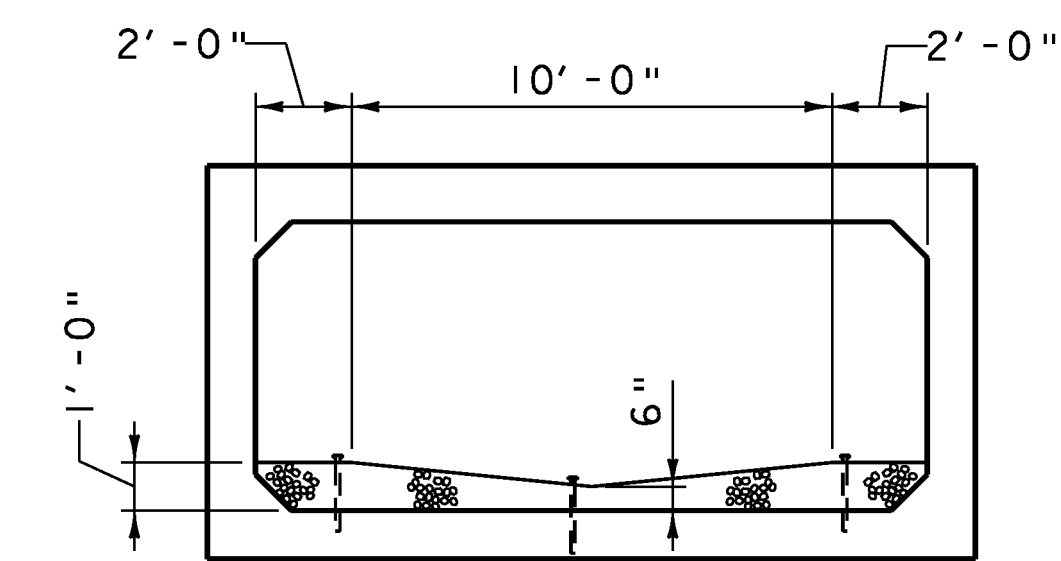
NOTE: SEE FINAL APPROVED SHOP DRAWINGS FOR DETAILS ON PRECAST BOX AND WINGWALLS INC. ELEVATIONS



LONGITUDINAL SECTION
SCALE: 1/4" = 1'-0"

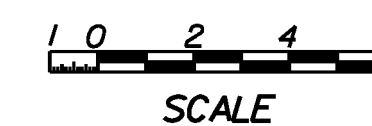


TYPICAL CULVERT SECTION
SCALE: 1/4" = 1'-0"



12" PRECAST BED RETENTION SILL SHALL HAVE A POSITIVE CONNECTION TO PRECAST BOX

BED RETENTION SILL
SCALE: 1/4" = 1'-0"



PROJECT NAME: HUBBARDTON
PROJECT NUMBER: ER STP 0161(27)

FILE NAME: zllc290longsec.dgn
PROJECT LEADER: M.A. COLGAN
DESIGNED BY: S.G. FARNSWORTH
BOX CULVERT SECTIONS

PLOT DATE: 7/16/2012
DRAWN BY: C.L. CILLEY
CHECKED BY: S.G. FARNSWORTH
SHEET 61 OF 70