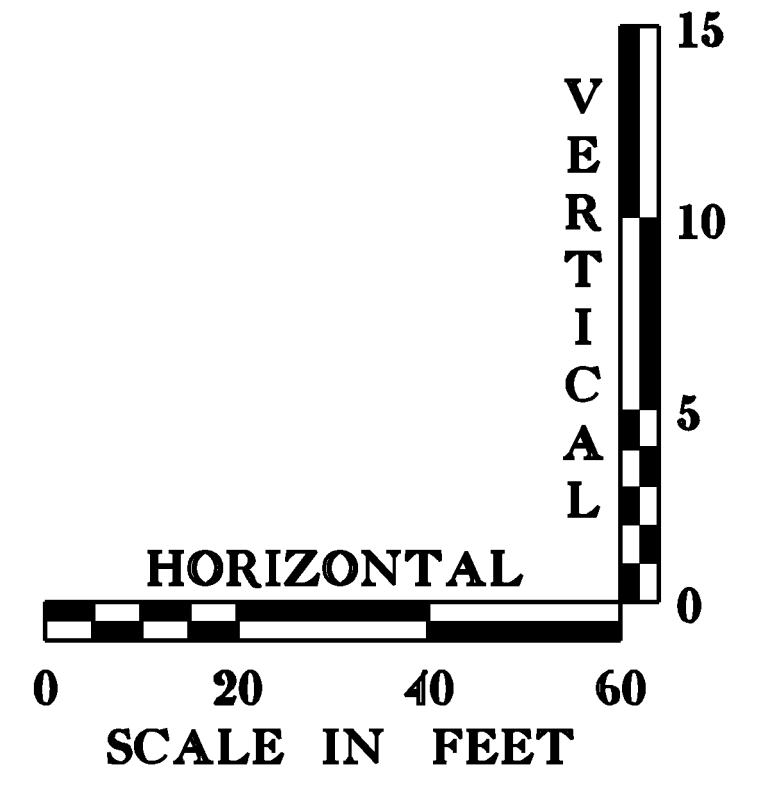
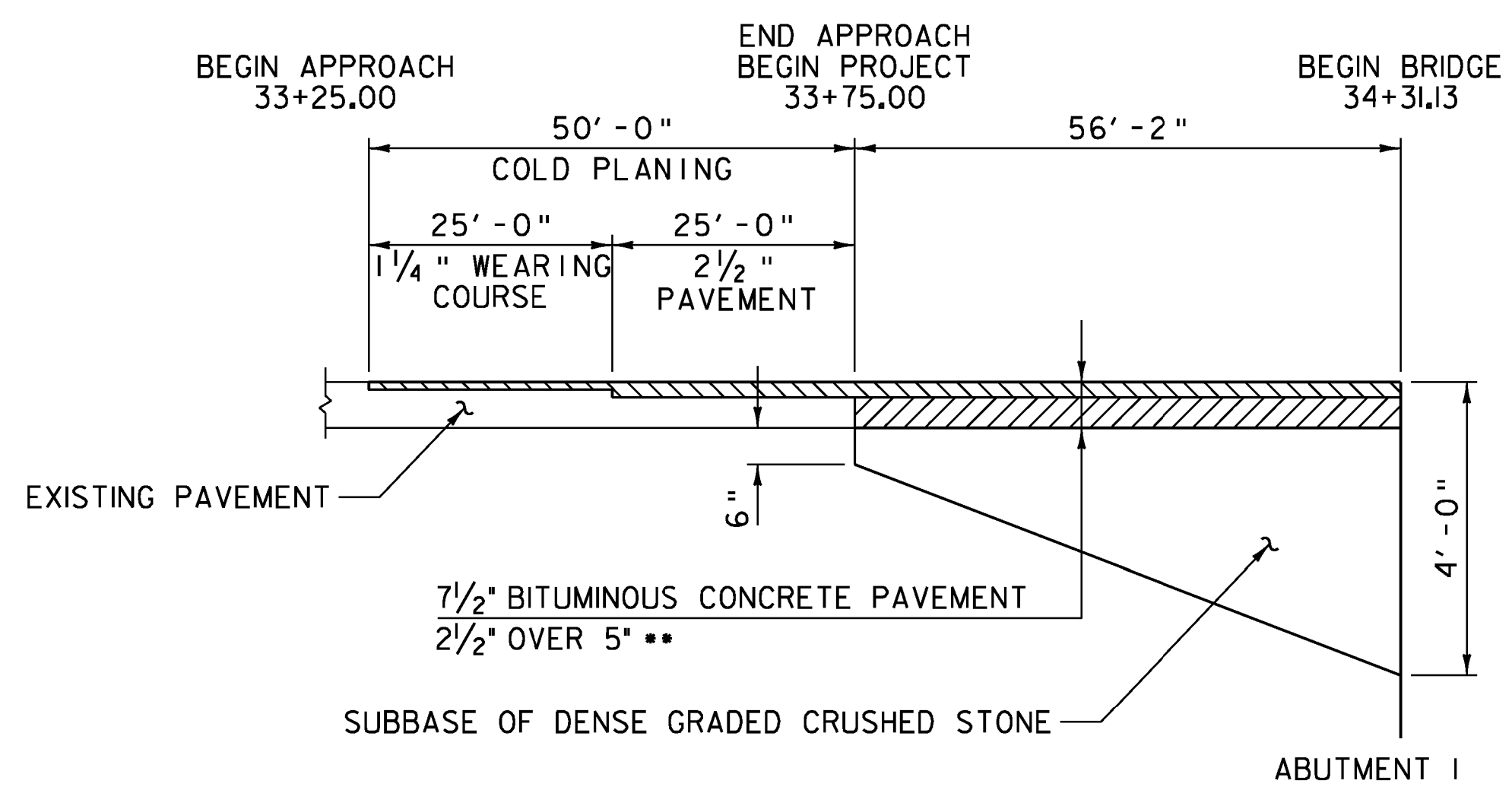


NOTE: CHANGES TO F.G. ELEVATIONS BASED ON RAISED RIGHT STRUCTURE HEIGHT OF 3/4"

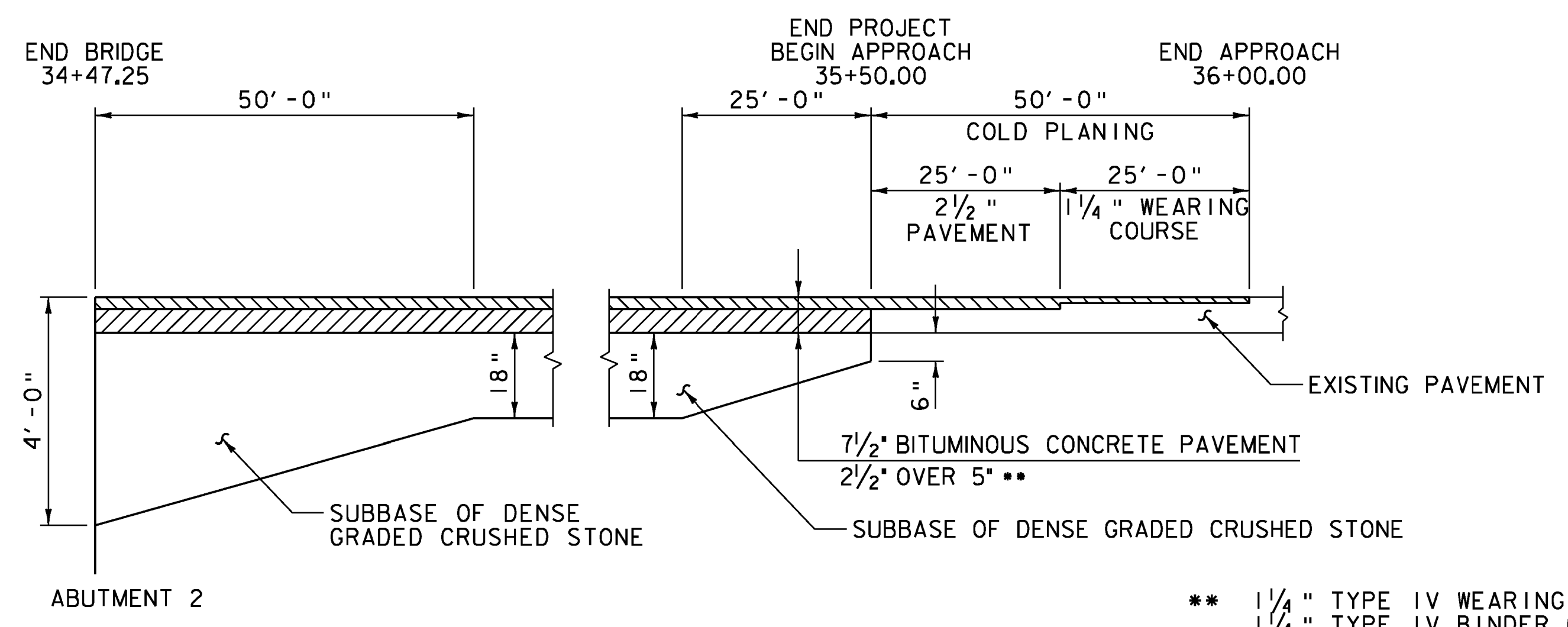


VT 30 PROFILE

THE GRADES SHOWN TO THE NEAREST TENTH ARE THE ORIGINAL GROUND ELEVATIONS ALONG THE PROPOSED ALIGNMENT. THE GRADES SHOWN TO THE NEAREST HUNDREDTH ARE THE PROPOSED GRADES FOR THE NEW ALIGNMENT.



BEGIN PROJECT MATERIAL TRANSITION
NOT TO SCALE



END PROJECT MATERIAL TRANSITION
NOT TO SCALE

** 1 1/4" TYPE IV WEARING COURSE OVER
1 1/4" TYPE IV BINDER COURSE OVER
2 1/2" TYPE II BASE COURSE OVER
2 1/2" TYPE II BASE COURSE



PROJECT NAME:	HUBBARDTON
PROJECT NUMBER:	ER STP 0161(27)
FILE NAME:	zllc290pro.dgn
PROJECT LEADER:	M.A. COLGAN
DESIGNED BY:	S.G. FARNSWORTH
PLOT DATE:	7/16/2012
DRAWN BY:	C.L. CILLEY
CHECKED BY:	S.G. FARNSWORTH
PROFILE	SHEET 49 OF 70