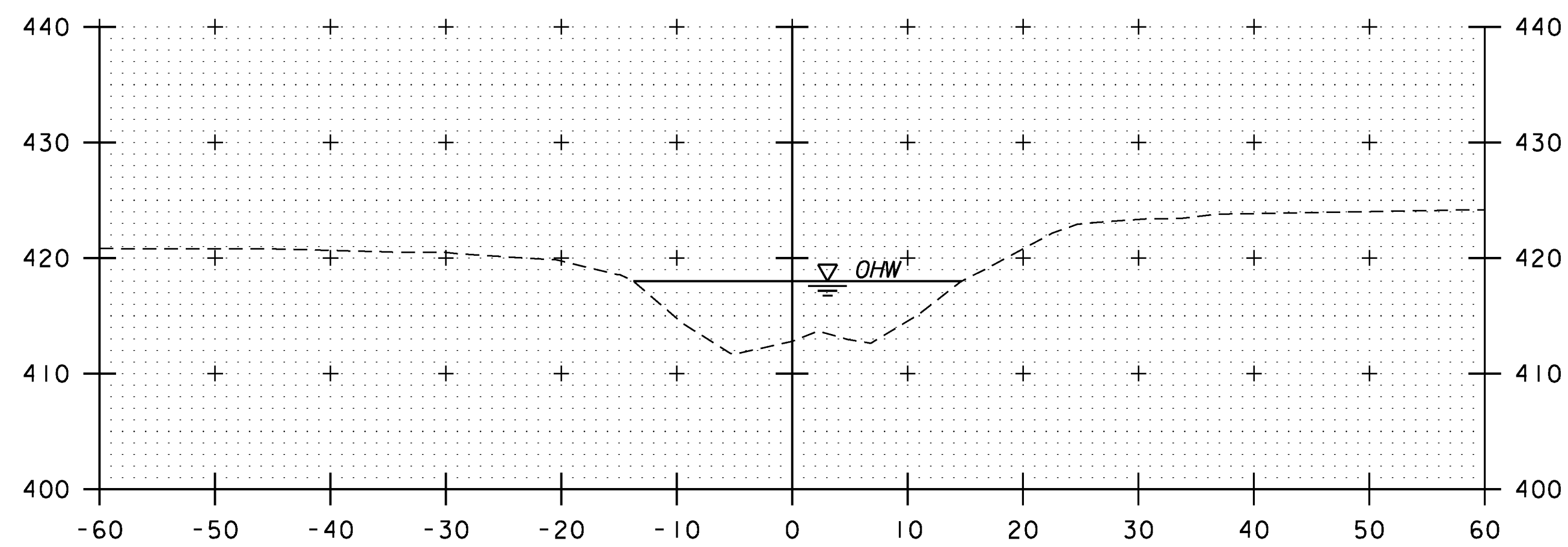
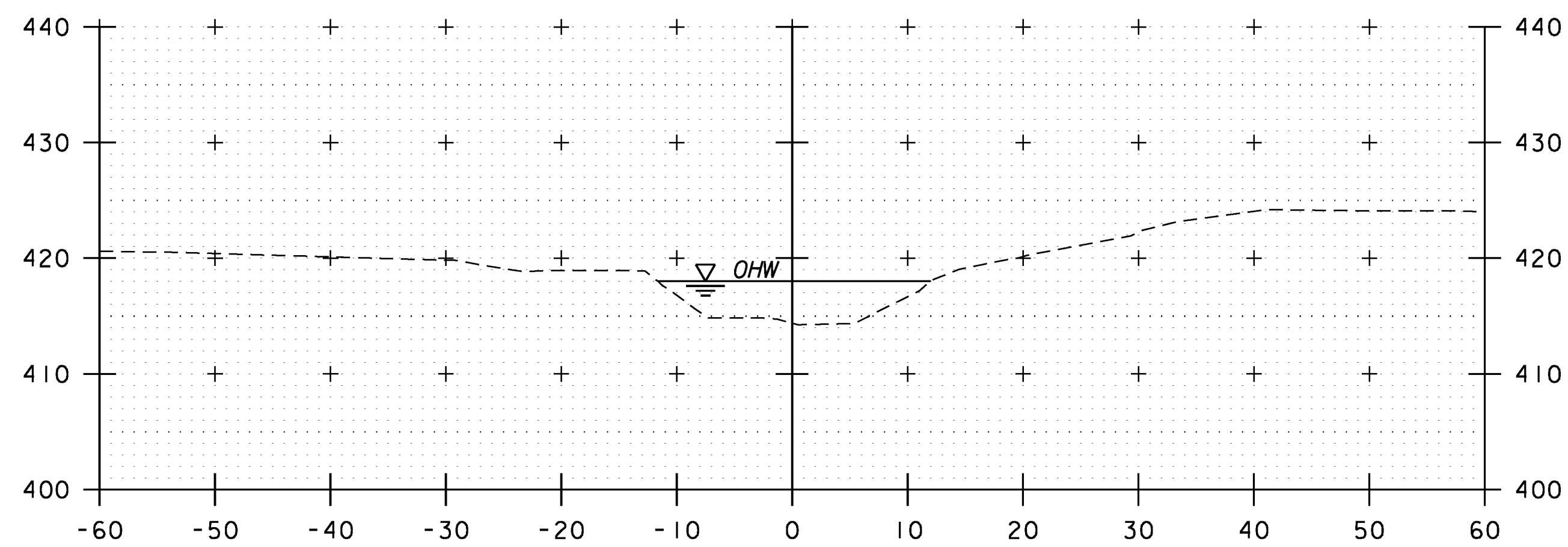


20+40

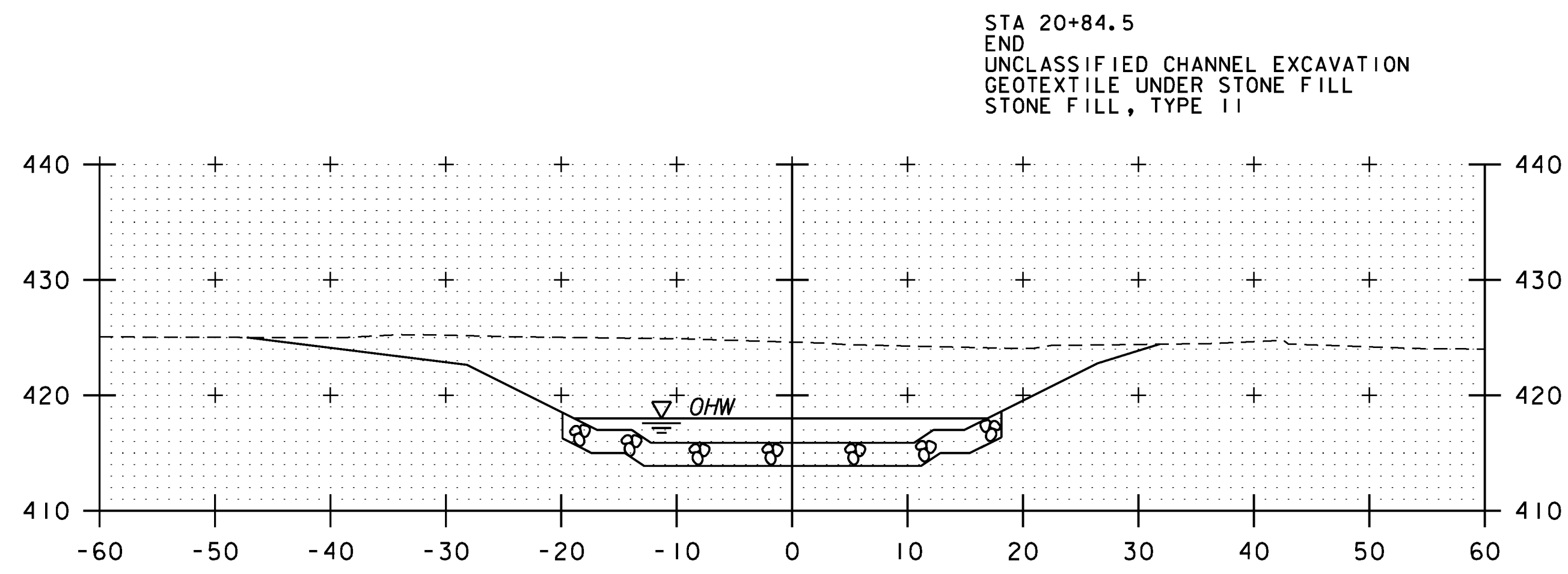
STA 20+34.1  
BEGIN  
UNCLASSIFIED CHANNEL EXCAVATION  
GEOTEXTILE UNDER STONE FILL  
STONE FILL, TYPE II



20+25

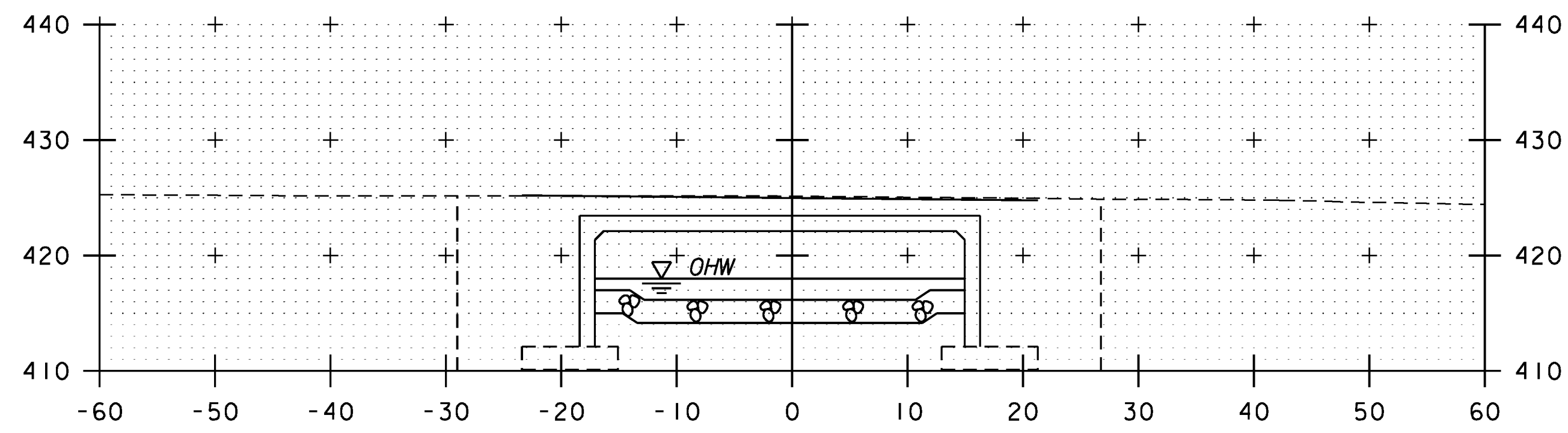


20+00

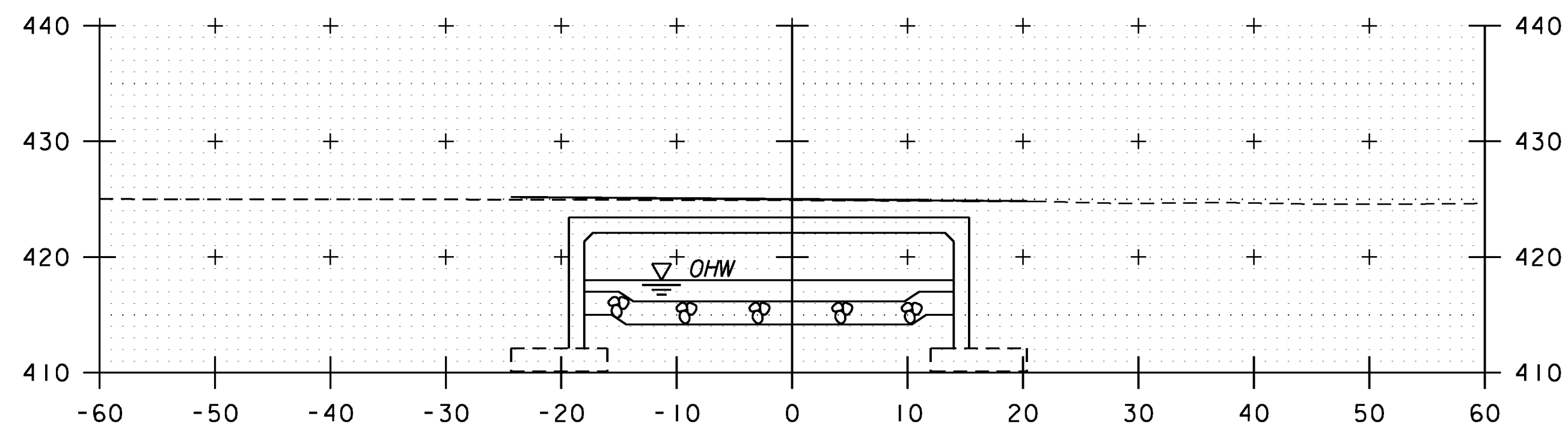


20+80

STA 20+84.5  
END  
UNCLASSIFIED CHANNEL EXCAVATION  
GEOTEXTILE UNDER STONE FILL  
STONE FILL, TYPE II



20+75



20+50

CHANNEL CROSS SECTIONS

SCALE 1"=10'-0"

STA. 20+00 TO STA. 20+80



PROJECT NAME: HUBBARDTON  
PROJECT NUMBER: ER STP 016(26)

FILE NAME: zllc288chxs\_01.dgn  
PROJECT LEADER: M.A. COLGAN  
DESIGNED BY: S.G. FARNSWORTH  
CHANNEL CROSS SECTIONS (1 OF 2)

PLOT DATE: 7/16/2012  
DRAWN BY: E.A. FIALA  
CHECKED BY: S.G. FARNSWORTH  
SHEET 36 OF 70