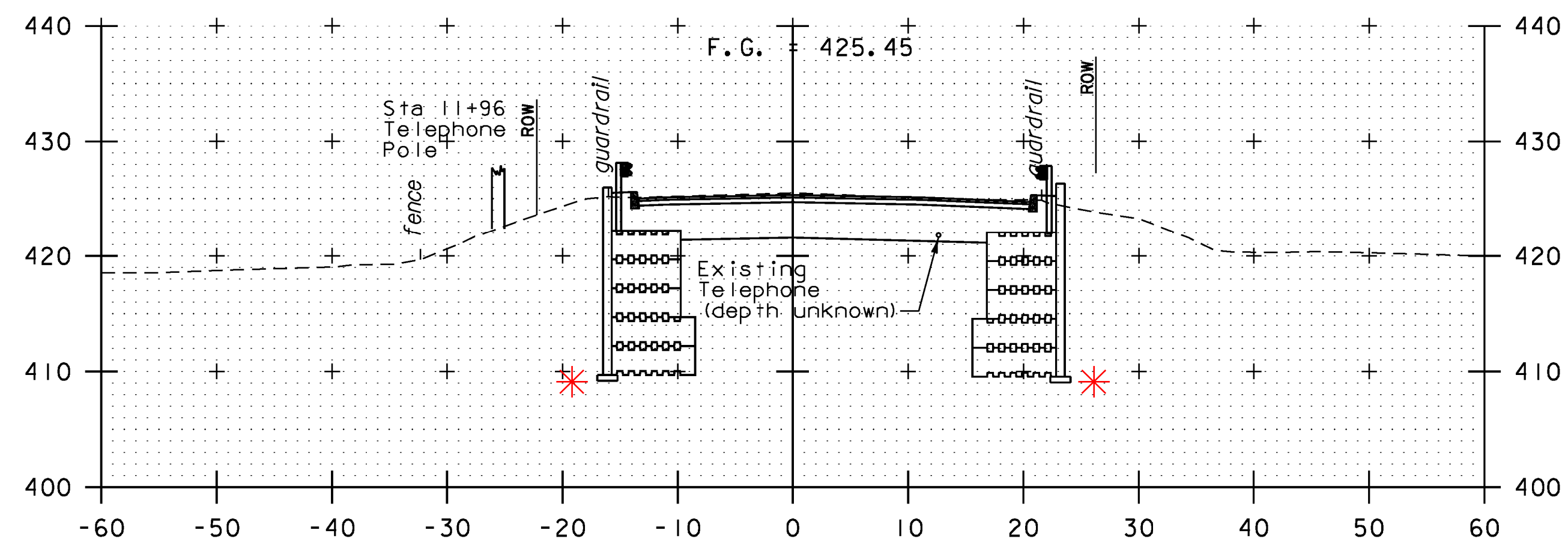


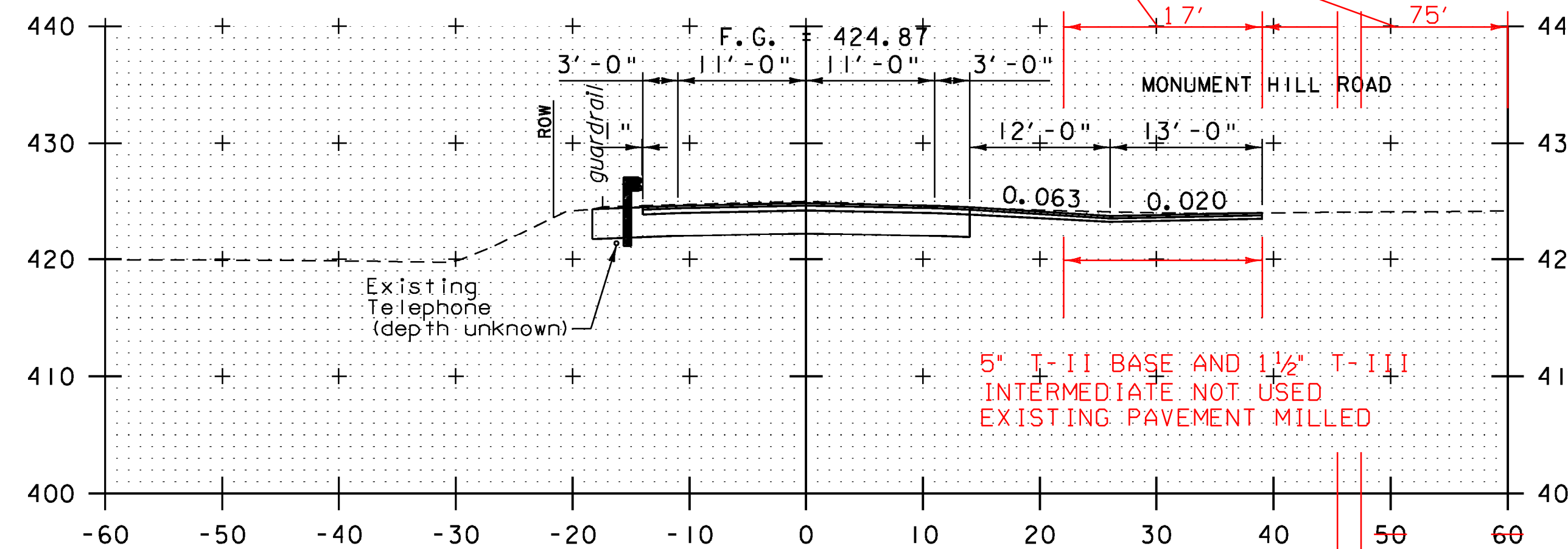
STA 12+07.67 BEGIN BRIDGE



12+00

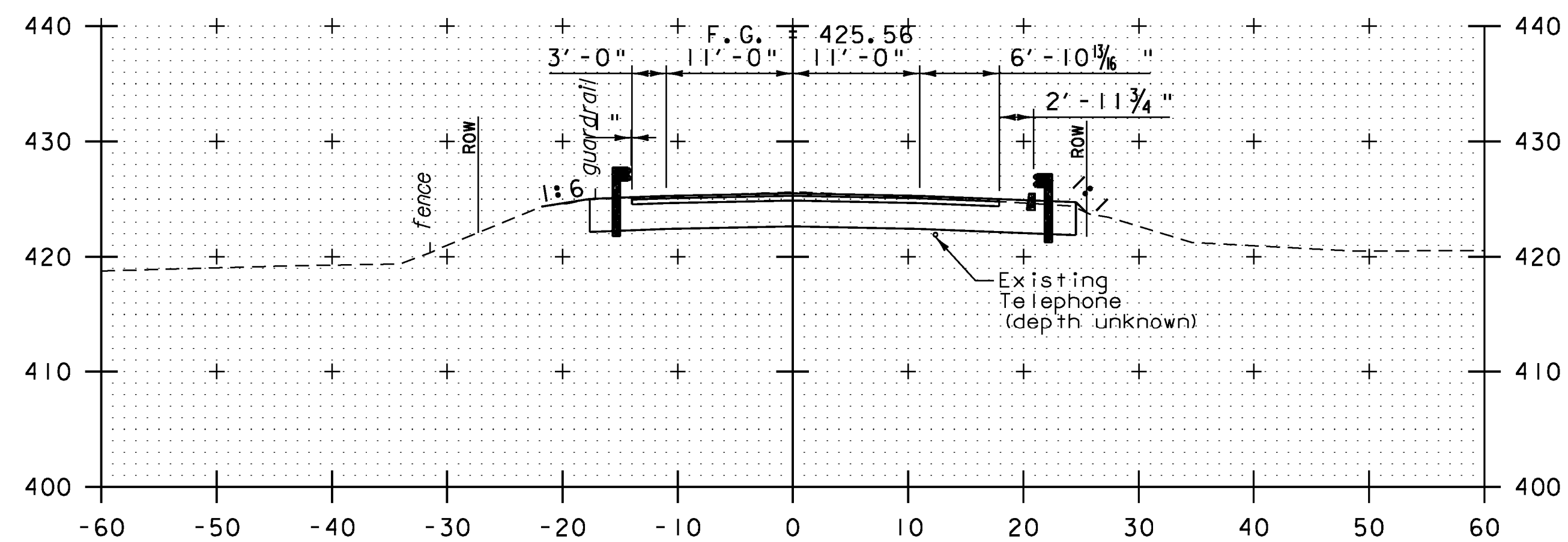
\*NOTE: WINGWALL FOOTING/LEVELING PAD SET AT 412.27 AT ALL WING WALL LOCATIONS. SEE FINAL APPROVED SHOP DRAWINGS FOR DETAILS.

MILLED 1½" PAVED 1½" T-III EXTENDED COLD PLANE LIMITS ON MONUMENT HILL ROAD

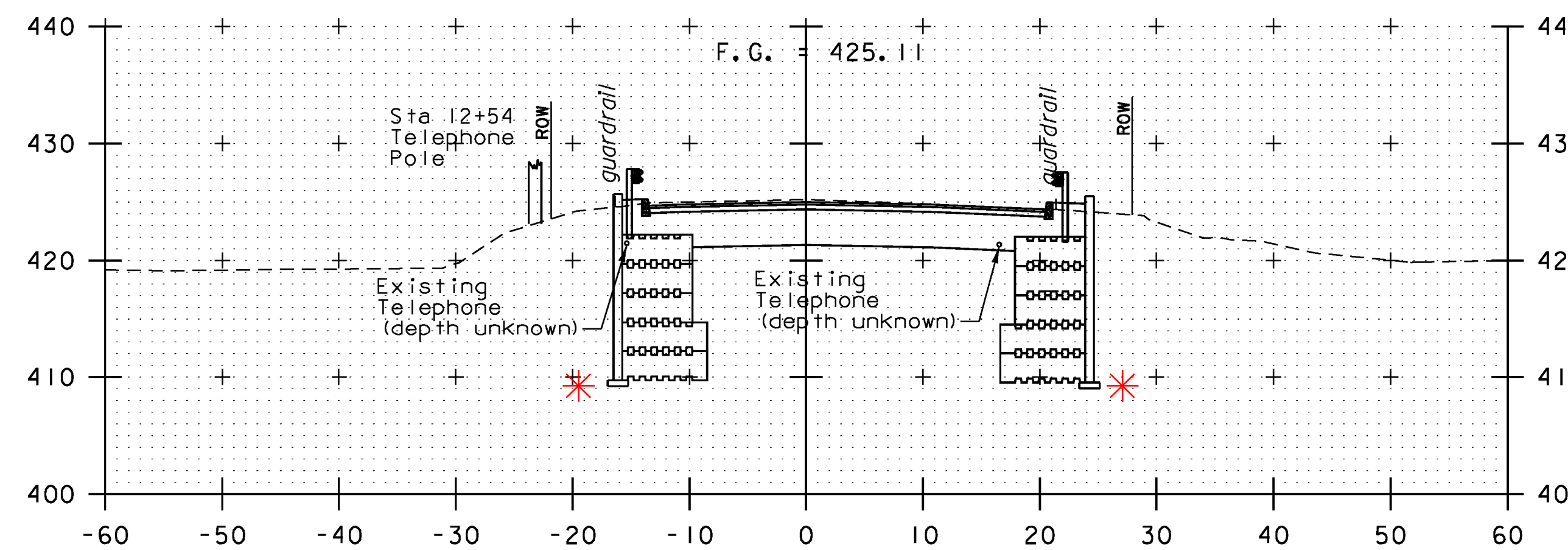


12+75

5' T-II BASE AND 1½" T-III INTERMEDIATE NOT USED EXISTING PAVEMENT MILLED

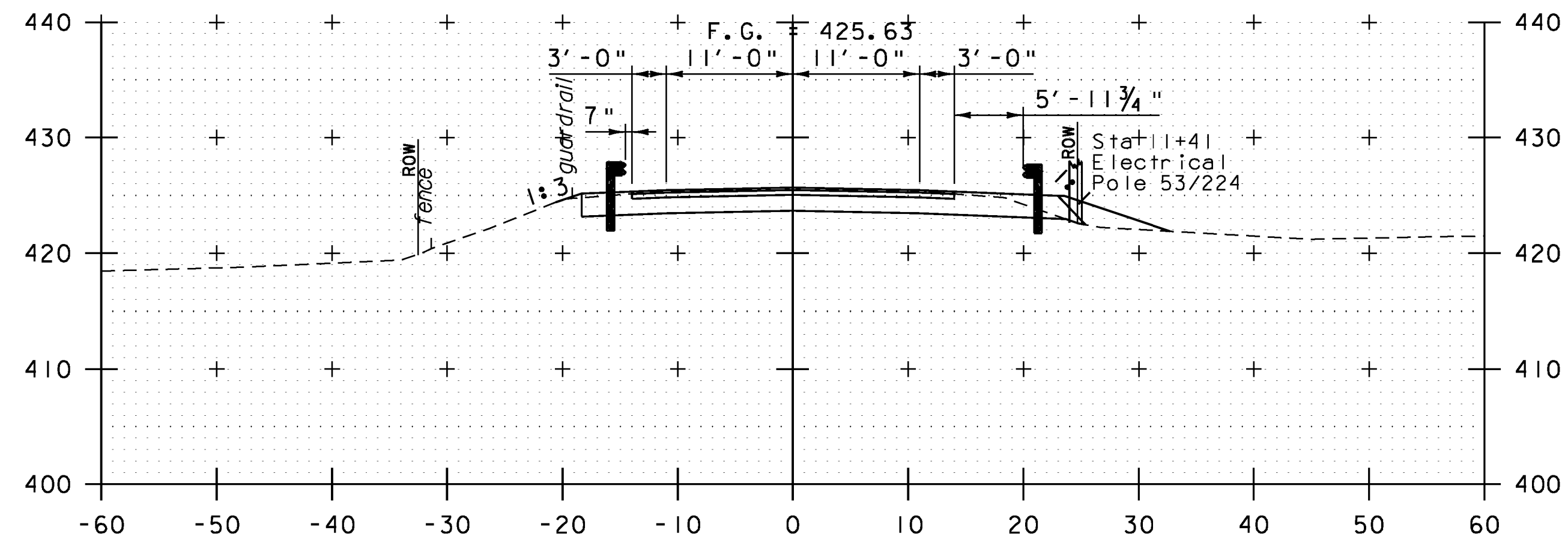


11+75

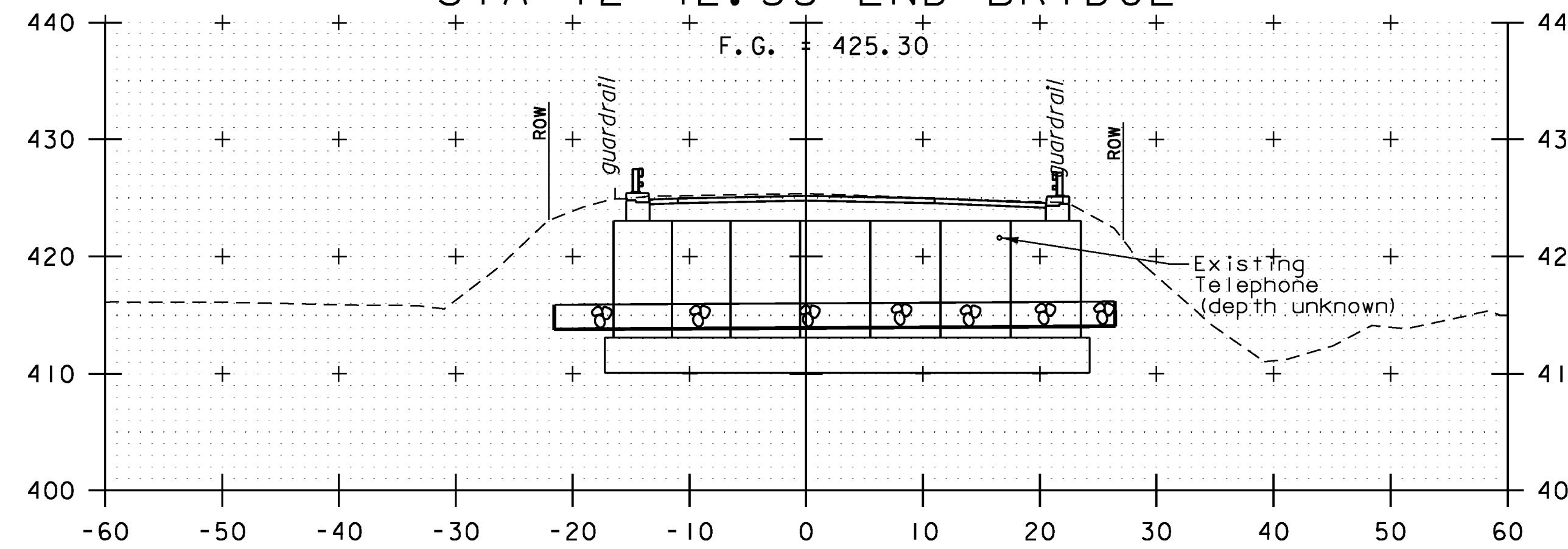


12+50

STA 12+42.33 END BRIDGE



11+50



12+25

ROADWAY CROSS SECTIONS

SCALE 1"=10'-0"

STA. 11+50 TO STA. 12+75



PROJECT NAME: HUBBARDTON  
PROJECT NUMBER: ER STP 0161(26)

FILE NAME: zllc288xs\_02.dgn  
PROJECT LEADER: M.A. COLGAN  
DESIGNED BY: S.G. FARNSWORTH  
ROADWAY CROSS SECTIONS (2 OF 3)

PLOT DATE: 7/16/2012  
DRAWN BY: C.L. CILLEY  
CHECKED BY: S.G. FARNSWORTH  
SHEET 34 OF 70