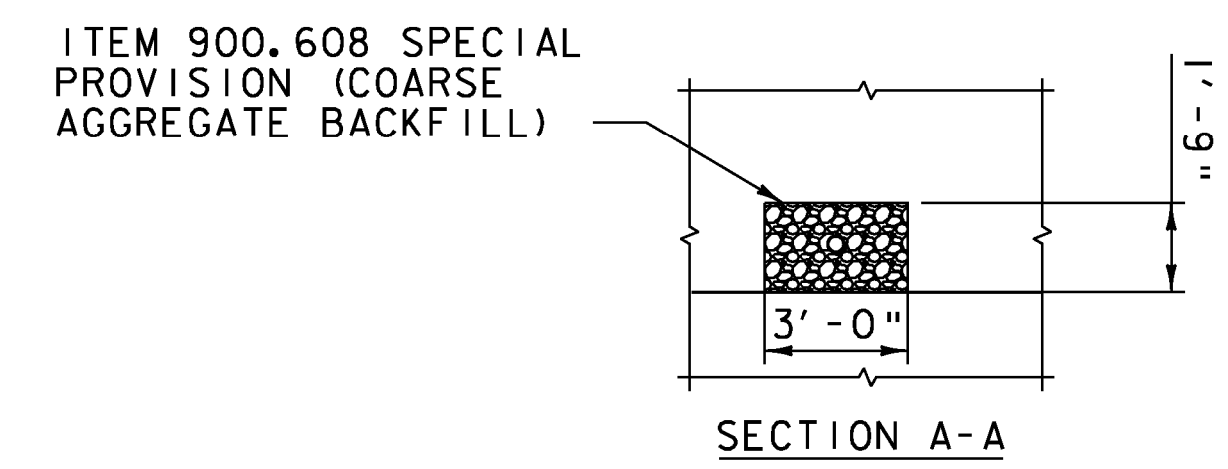
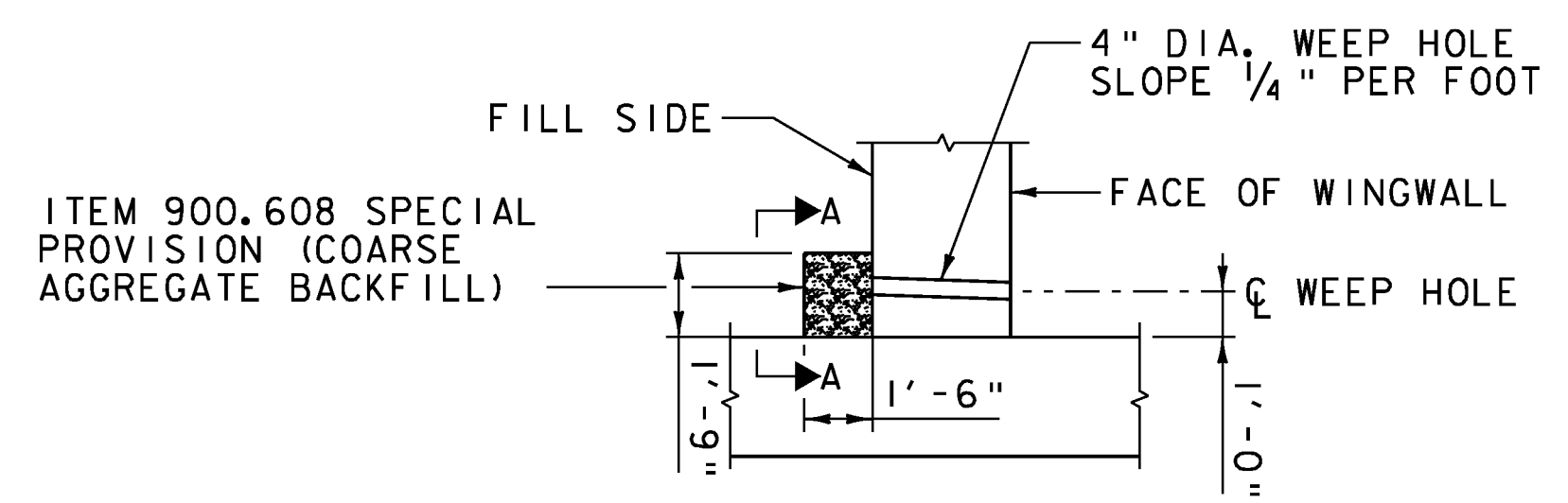


WP COORDINATES		
WP NO.	NORTHING	EASTING
1	440667.92	1459344.92
2	440677.86	1459346.01
3	440676.06	1459362.41
4	440673.51	1459385.77
5	440658.59	1459384.14
6	440722.26	1459350.87
7	440712.32	1459349.78
8	440710.52	1459366.19
9	440707.97	1459389.55
10	440722.38	1459393.28

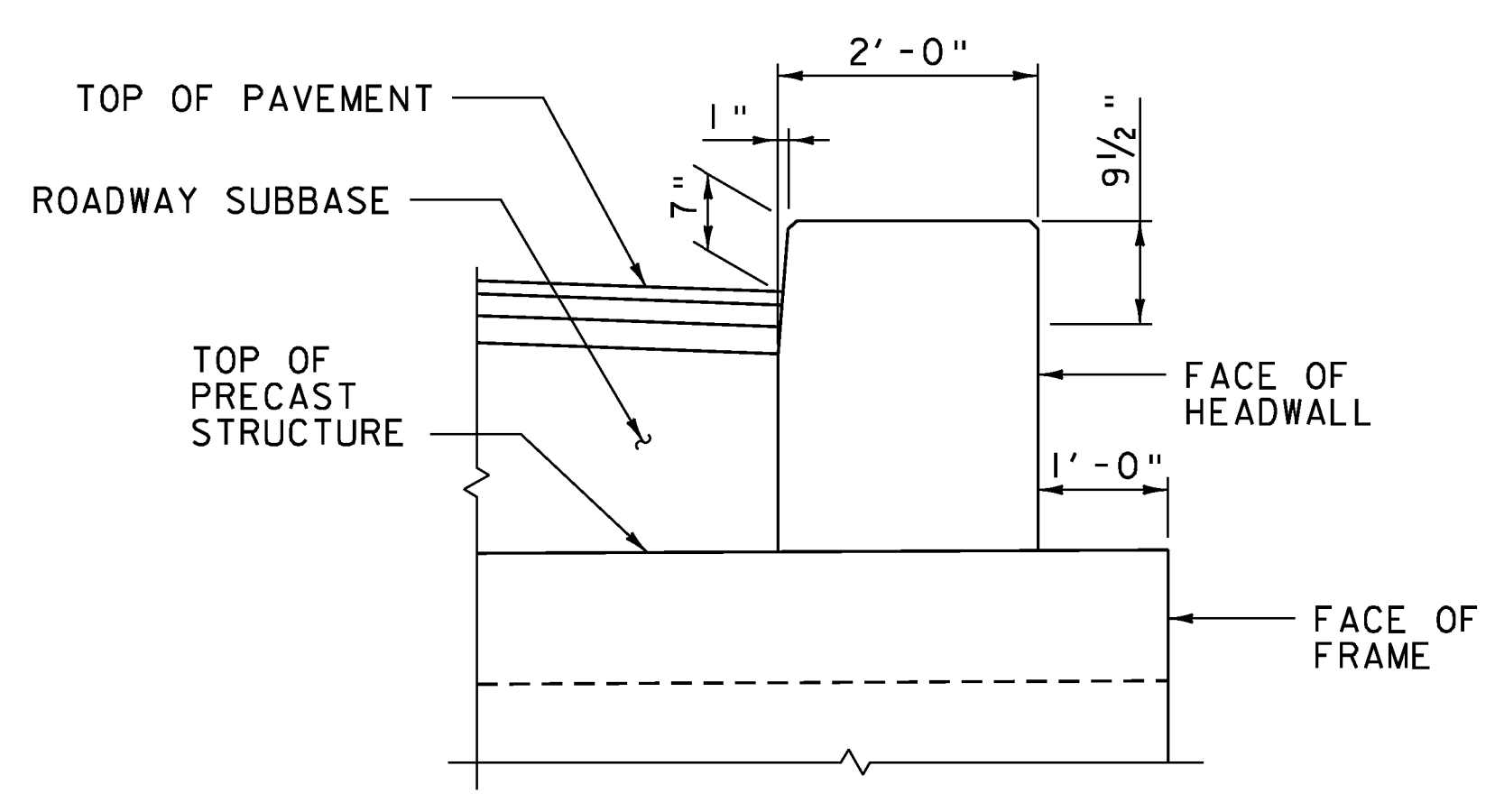
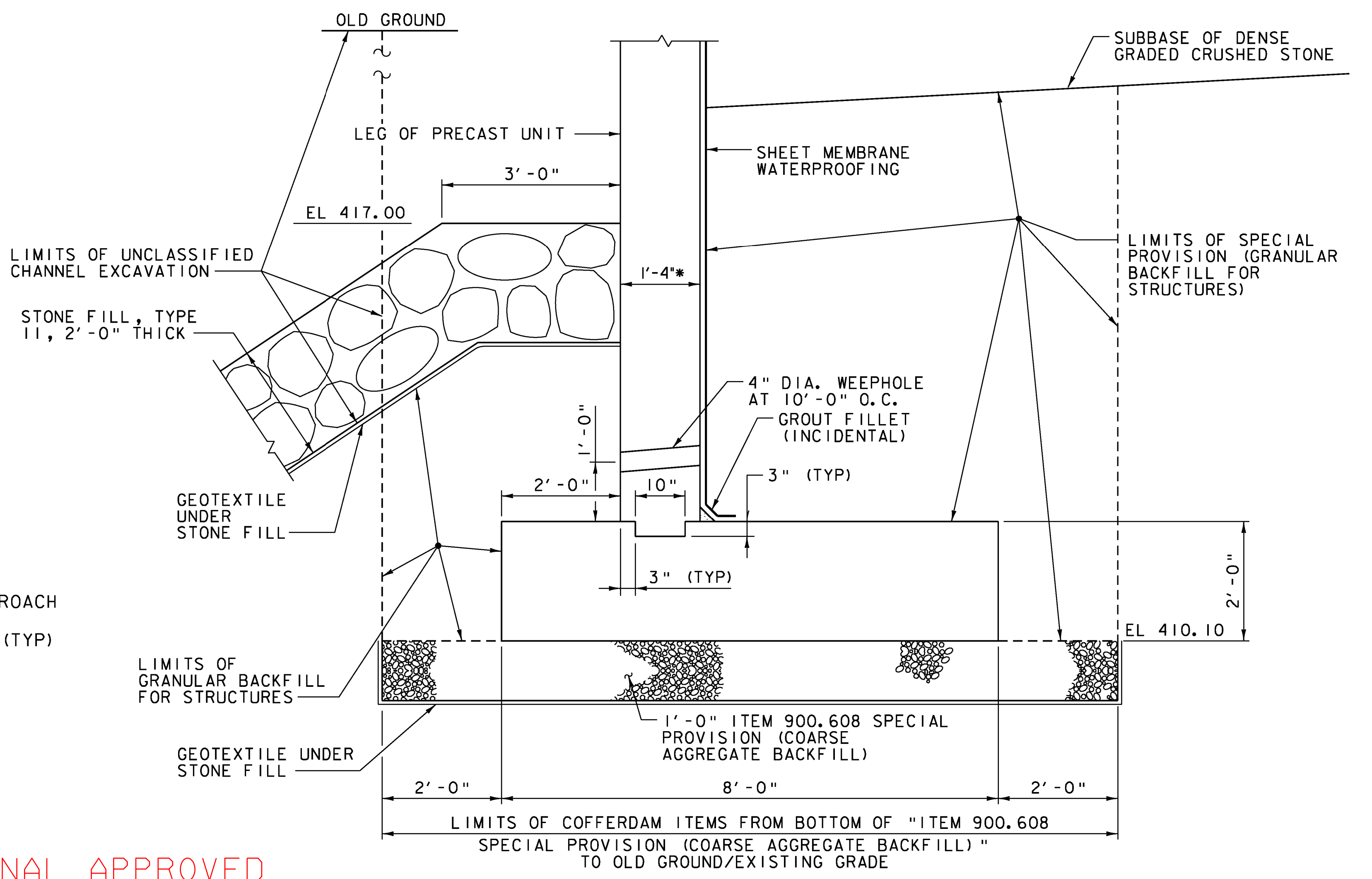
FRAMING PLAN
SCALE: 1/8" = 1'-0"

SCALE

NOTE: SEE FINAL APPROVED SHOP DRAWINGS FOR DETAILS REGARDING WINGWALLS



WEEP HOLE DETAILS
1/4" = 1'-0"



** - T-WALL PRECAST CONCRETE RETAINING WALL SYSTEM SHOWN. SEE NOTE 6 ON THE PROJECT NOTES SHEET FOR ALTERNATE PRECAST CONCRETE RETAINING WALL SYSTEM.

NOTE: SECTION B-B ON NEXT SHEET.

PROJECT NAME: HUBBARDTON	PLOT DATE: 7/16/2012
PROJECT NUMBER: ER STP 0161(26)	DRAWN BY: C.L. CILLEY
FILE NAME: zllc288abut.dgn	CHECKED BY: S.G. FARNSWORTH
PROJECT LEADER: M.A. COLGAN	SHEET 29 OF 70
DESIGNED BY: S.G. FARNSWORTH	
FRAMING PLAN AND DETAILS	

