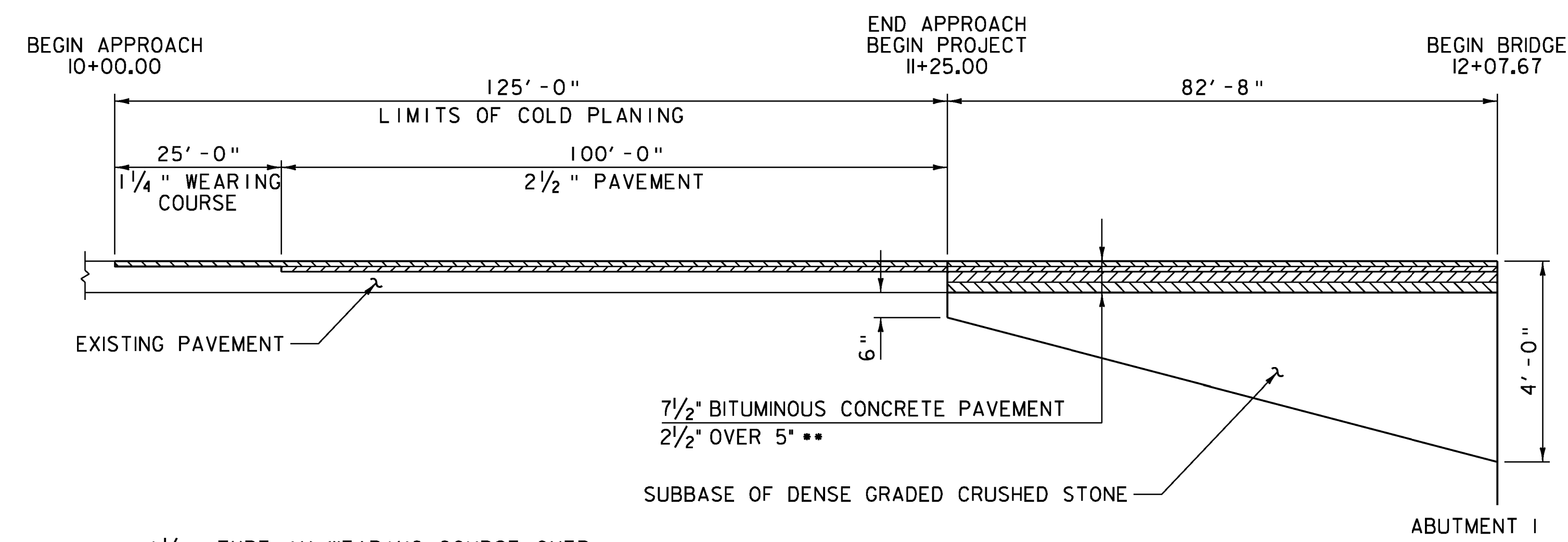


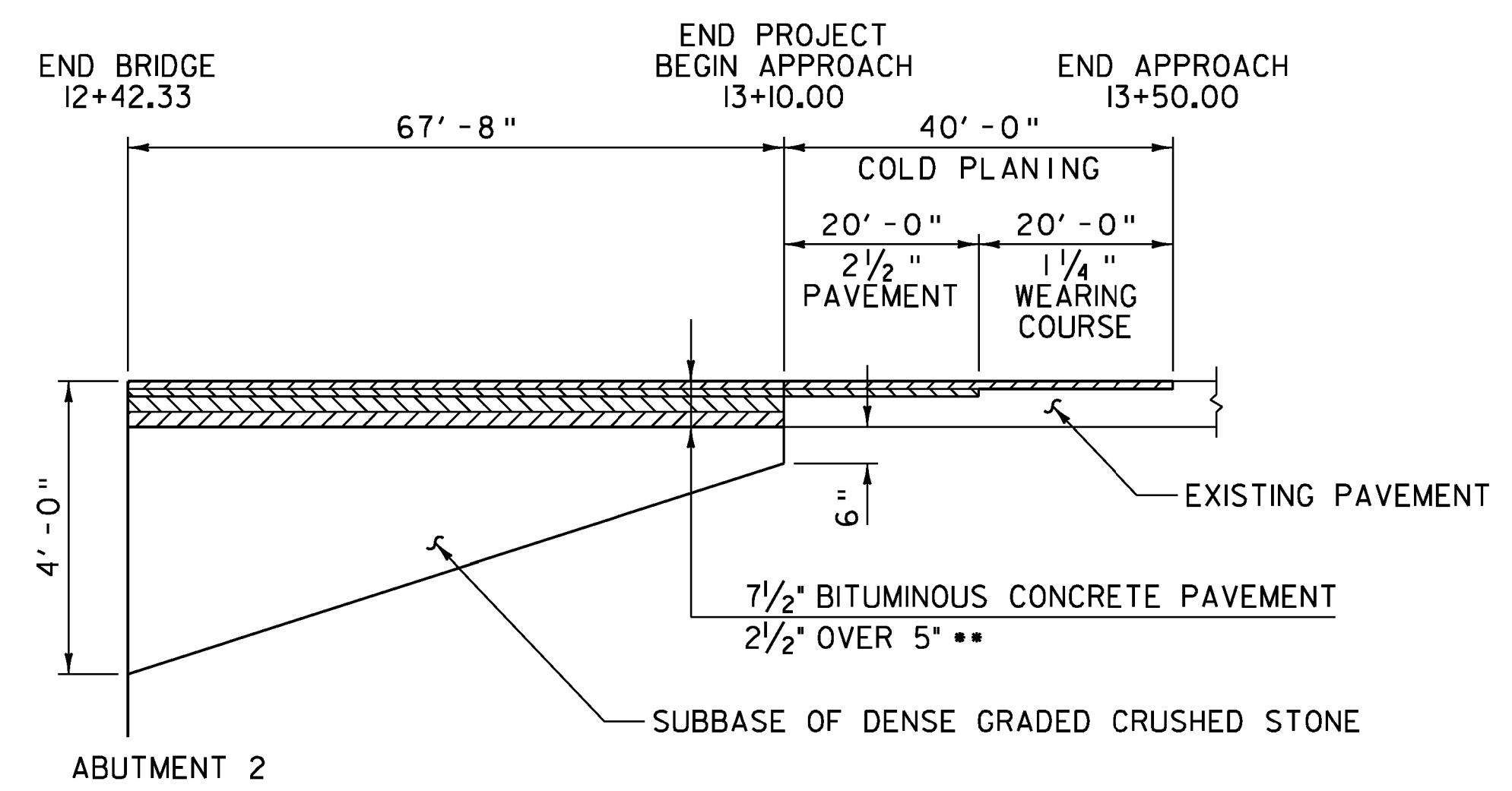
VT 30 PROFILE

*NOTE: 2 FT FOOTINGS. SEE FINAL APPROVED SHOP DRAWINGS FOR DETAILS.

THE GRADES SHOWN TO THE NEAREST TENTH ARE THE ORIGINAL GROUND ELEVATIONS ALONG THE PROPOSED ALIGNMENT. THE GRADES SHOWN TO THE NEAREST HUNDRETH ARE THE PROPOSED GRADES FOR THE NEW ALIGNMENT.



BEGIN PROJECT MATERIAL TRANSITION
NOT TO SCALE



END PROJECT MATERIAL TRANSITION
NOT TO SCALE

** 1/4" TYPE IV WEARING COURSE OVER
1/4" TYPE IV BINDER COURSE OVER
2 1/2" TYPE II BASE COURSE OVER
2 1/2" TYPE II BASE COURSE



PROJECT NAME:	HUBBARDTON
PROJECT NUMBER:	ER STP 016(26)
FILE NAME:	zllc288pro.dgn
PROJECT LEADER:	M.A. COLGAN
DESIGNED BY:	S.G. FARNSWORTH
PROFILE	
PLOT DATE:	7/16/2012
DRAWN BY:	E.A. FIALA
CHECKED BY:	S.G. FARNSWORTH
SHEET	16 OF 70