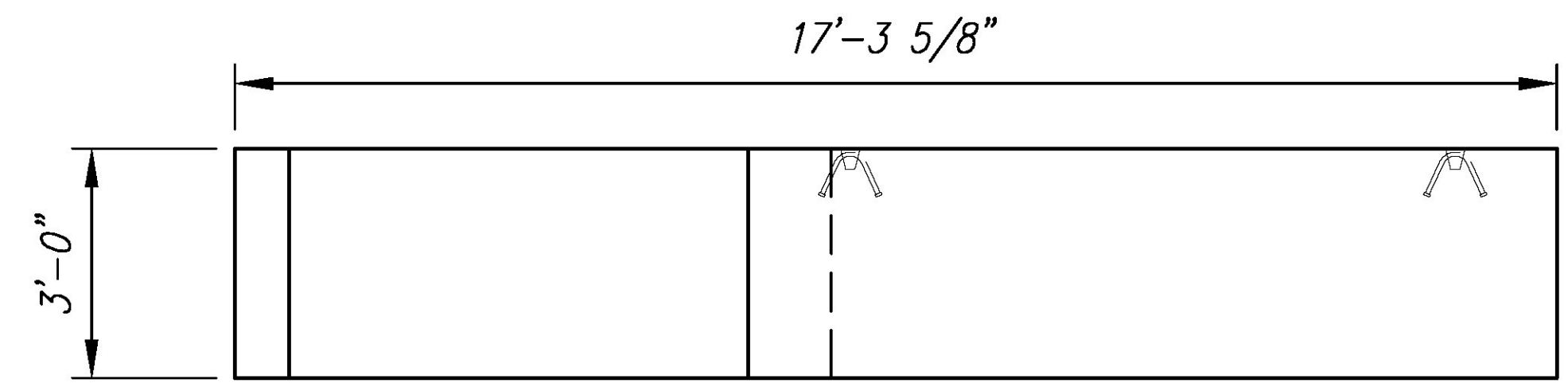
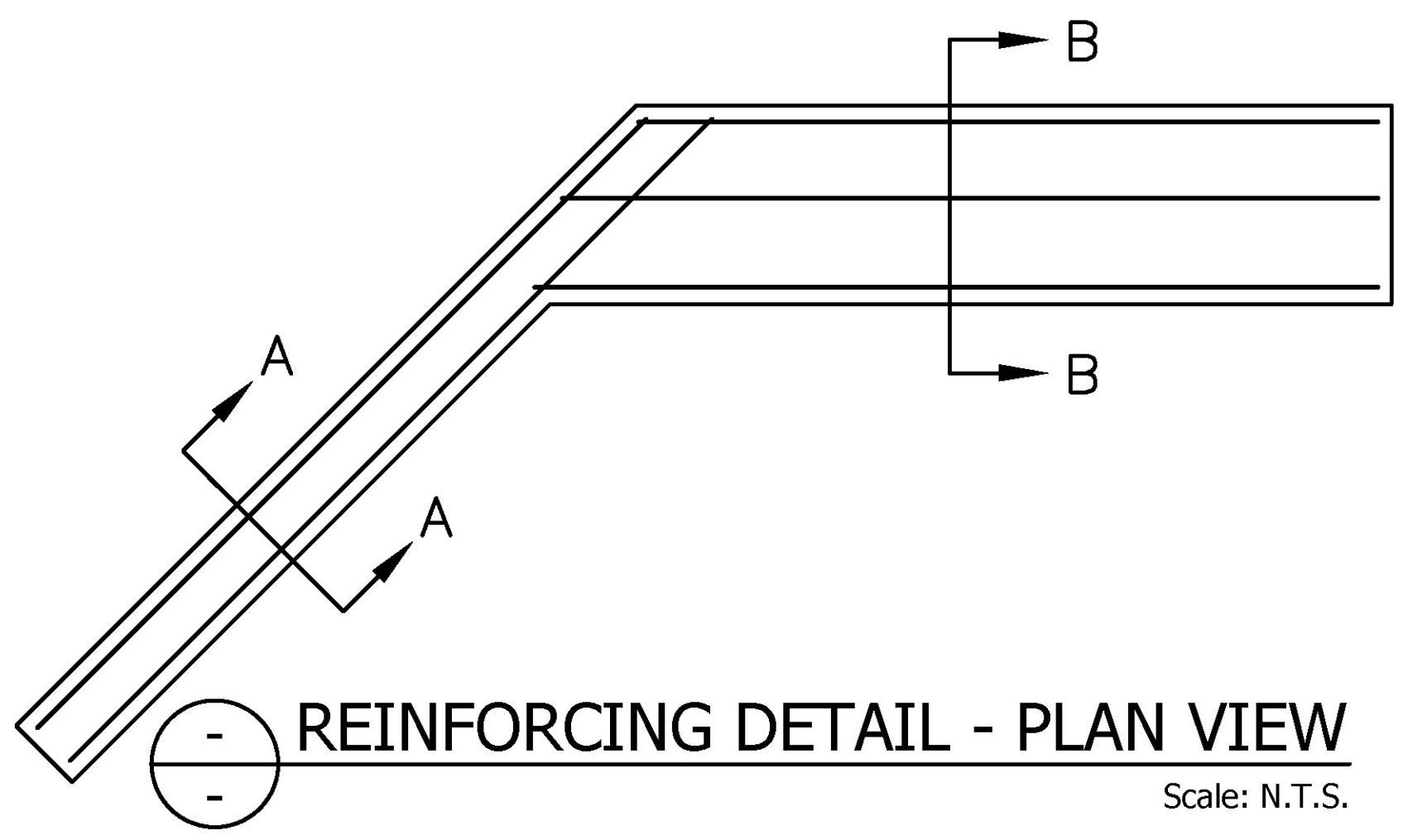


**PLAN VIEW**  
Scale: N.T.S.



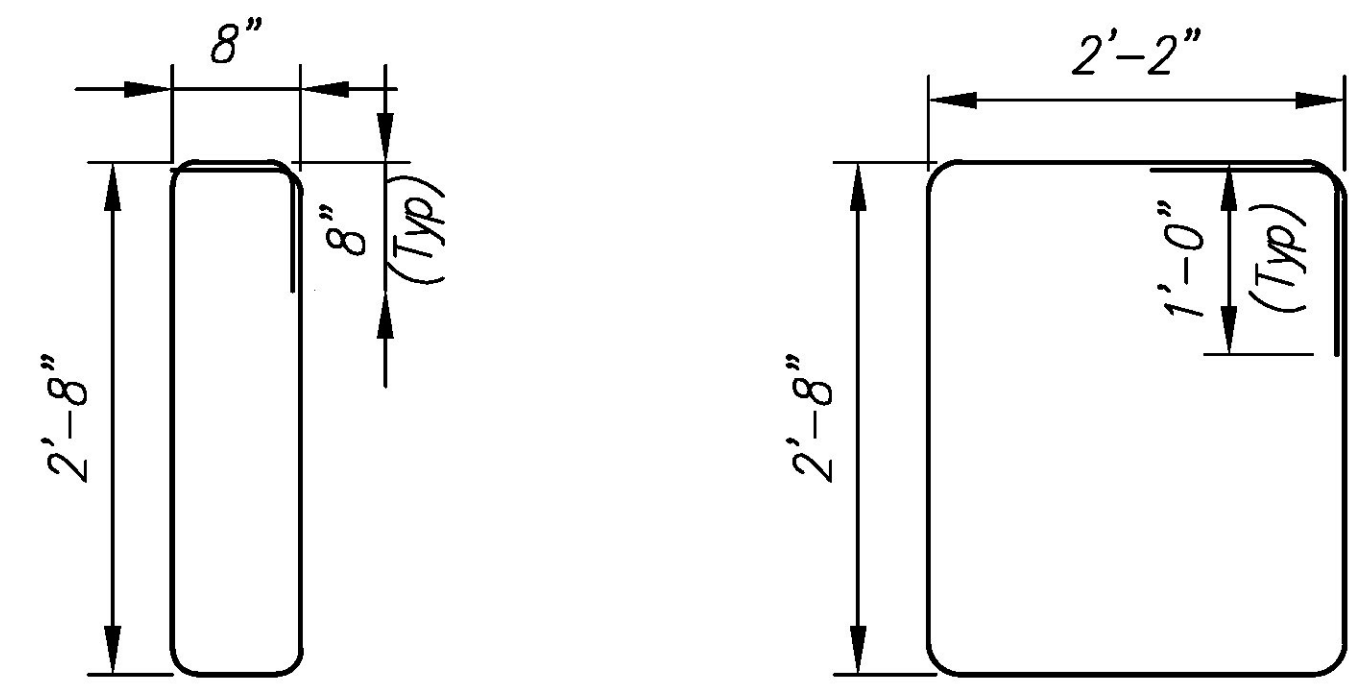
**ELEVATION**  
Scale: N.T.S.



**REINFORCING DETAIL - PLAN VIEW**  
Scale: N.T.S.

F2B - BILL OF MATERIALS / EMBEDS				
CSI ID#	DESCRIPTION	QTY	UM	COMMENTS
EM-00115	UTILITY ANCHOR #8UA671-GALVANIZED	2	EA	
RM-00013	REBAR #4 BLACK- GR 60	50	LB	
RM-00017	REBAR #6 BLACK-GR 60 40'	164	LB	
MX-FA5000SC30	MIX DESIGN - FLY ASH 5000 SELF CONSOLIDATING	3.88	CY	

F2B Rebar Schedule			
MK	QTY	LENGTH	
401 #4	5	8' - 0"	
402 #4	3	11' - 8"	
601 #6	4	11' - 6"	
602 #6	6	10' - 7" MAX	

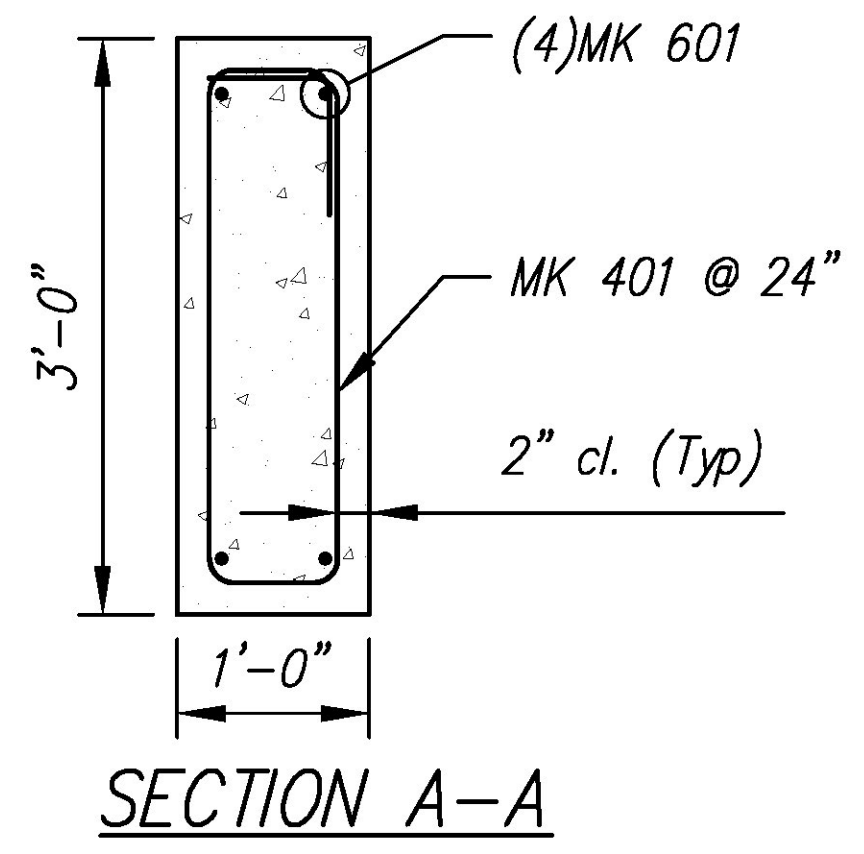


MK 401 #4 bar  
MK 402 #4 bar

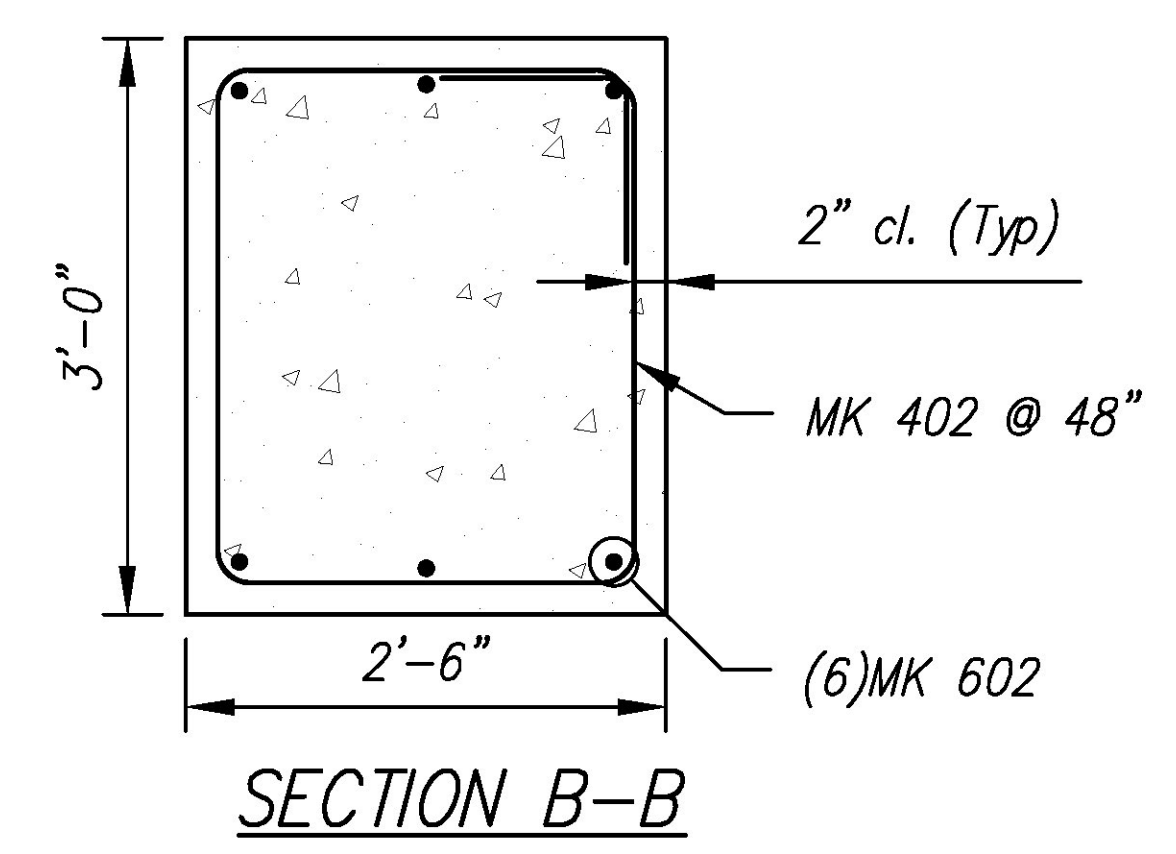
**BENDING SCHEDULE**  
Scale: N.T.S.

Cover to reinforcing: 2" u.n.o.

REVIEWED	X	
REVIEWED AS MODIFIED		
REVISE AND RESUBMIT		
NOT REVIEWED		
Date: 4/24/2015		
By: Nathan Tirk		
<small>This review by Stantec Consulting Services Inc. is for the sole purpose of ascertaining conformance with the general design concept. This review shall not mean that Stantec Consulting Services Inc. approves the detail design in here in the shop drawings, responsibility for which shall remain with the Contractor. Submitting same, and such review shall not relieve the Contractor of his responsibility for meeting all requirements of the Contract Documents. The contractor is responsible for dimensions to be confirmed and correlated at the job site, for information that pertains solely to the fabrication process or to techniques of construction and installation and for coordination of the work of all subtrades.</small>		



**SECTION A-A**



**SECTION B-B**

**REINFORCING DETAIL**  
Scale: N.T.S.

Rev.	Date	DESCRIPTION	By
5			
4			
3			
2	28APR2015	REVISED UTILITY ANCHOR LOCATIONS	RY
1	01APR2015	DIMENSIONAL CHANGES DUE TO 12" THK WW	RY
Rev.	Date	DESCRIPTION	By
REVISIONS			

 <b>Concrete Systems Inc.</b> 9 Commercial St., Hudson, NH, 03051 Phone 603-889-4163 Fax 603-889-2417	STATE AGENCY  Working to Get You There VERMONT AGENCY OF TRANSPORTATION	J A MCDONALD, INC. VT/AOT BRIDGE - STEEL CULVERT REPLACEMENT BRIDGE #7, VT ROUTE 58, IRASBURG, VT	
	Drawn By <b>R. YEAGER</b> Concrete Cu. Yd. <b>3.88</b> Approved By	Date <b>16MAR2015</b> Weight in Tons <b>7.86</b> Date	Drawing No. <b>C22283-L02-F2B</b>
	Quantity: 1	Project No: STPCULV30	SHEET 8 OF 9