

Vermont Agency of Transportation

RECEIVED

ON: **April 30, 2015**

and Checked for


CONFORMANCE

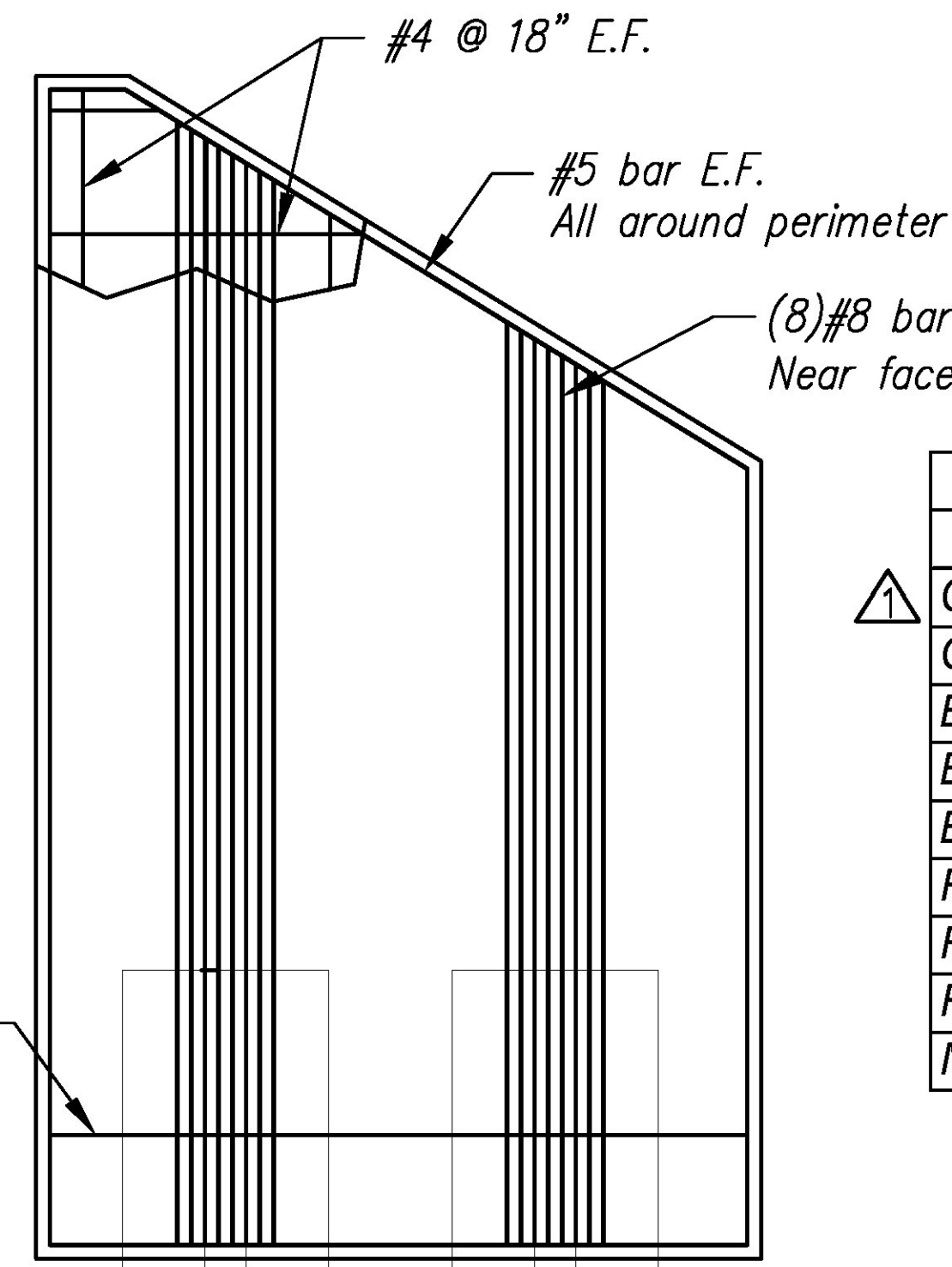
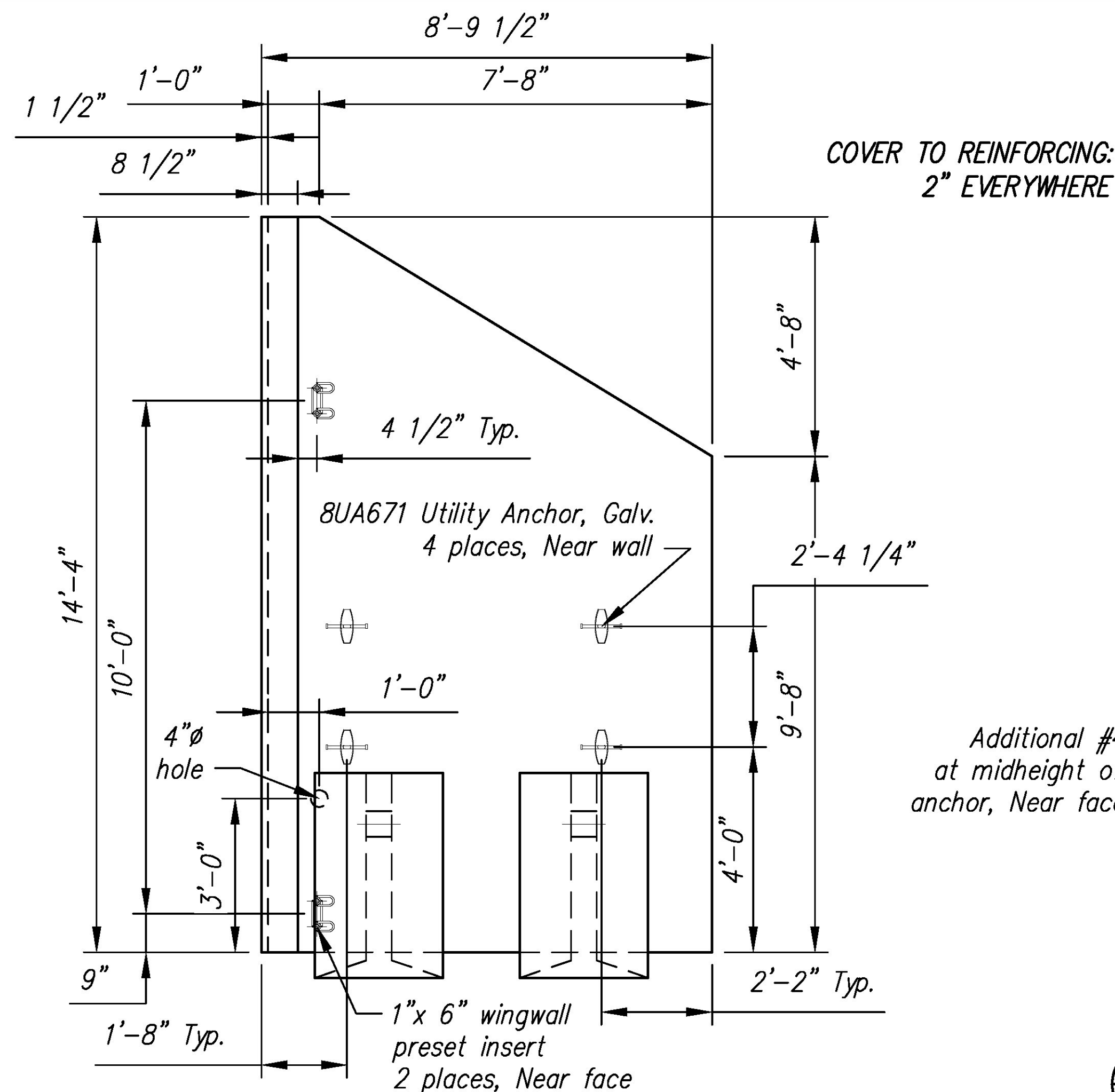
BY: Mark Sargent DATE: 5/7/2015

Need to specify a spacing or total width for the additional #8 bars

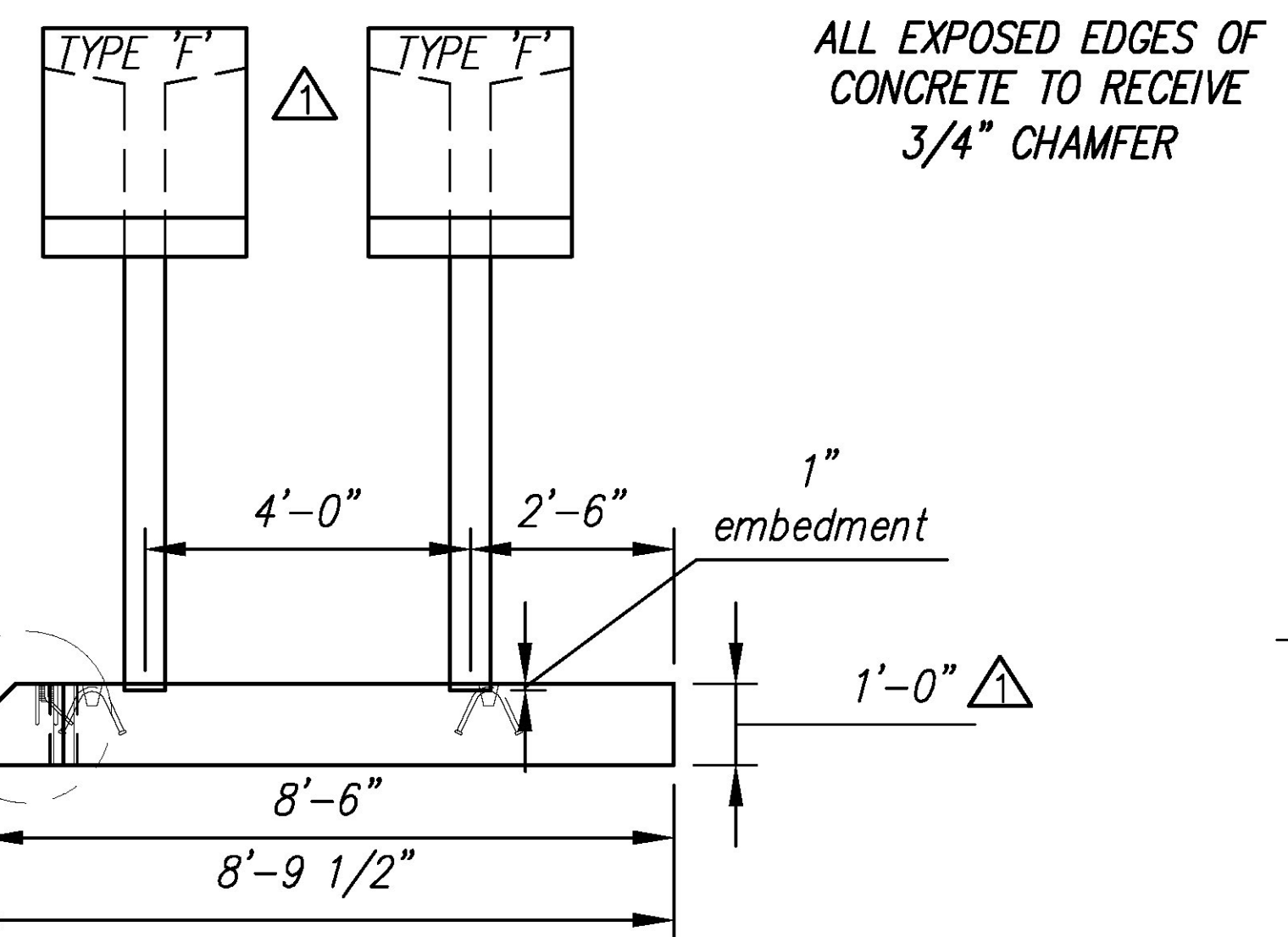
WW1B - BILL OF MATERIALS / EMBEDS

CSI ID#	DESCRIPTION	QTY	UM	COMMENTS
CSANC-F	CON/SPAN WINGWALL ANCHOR (F)	2	EA	
CT-00005	CONSOLIDECK SALTGUARD (SILANE SILOXANE)	0.64	GA	
EM-0005A	1" X 6" PRESET WING INSERTS	2	EA	
EM-00034	4" FOAM CORE PVC	1	FT	
EM-00115	UTILITY ANCHOR #8UA671-GALVANIZED	4	EA	
RM-00013	REBAR #4 BLACK- GR 60	219	LB	
RM-00015	REBAR #5 BLACK-GR 60 40'	87	LB	
RM-00104	REBAR #8 BLACK-GR 60	598	LB	
MX-FA5000SC30	MIX DESIGN - FLY ASH 5000 SELF CONSOLIDATING	3.86	CY	

REVIEWED		
REVIEWED AS MODIFIED	X	
REVISE AND RESUBMIT		
NOT REVIEWED		
Date: 5/1/2015		
By: Nathan Tirk		
<p>This review by Stantec Consulting Services Inc. is for the sole purpose of ascertaining conformance with the general design concept. This review shall not mean that Stantec Consulting Services Inc. approves the detail design in here in the shop drawings, responsibility for which shall remain with the Contractor. Submitting same, and such review shall not relieve the Contractor of his responsibility for errors or omissions in the shop drawing or of his responsibility for meeting all requirements of the Contract Documents. The contractor is responsible for dimensions to be confirmed and correlated at the job site, for information that pertains solely to the fabrication processes or to techniques of construction and installation and for coordination of the work of all subtrades.</p>		

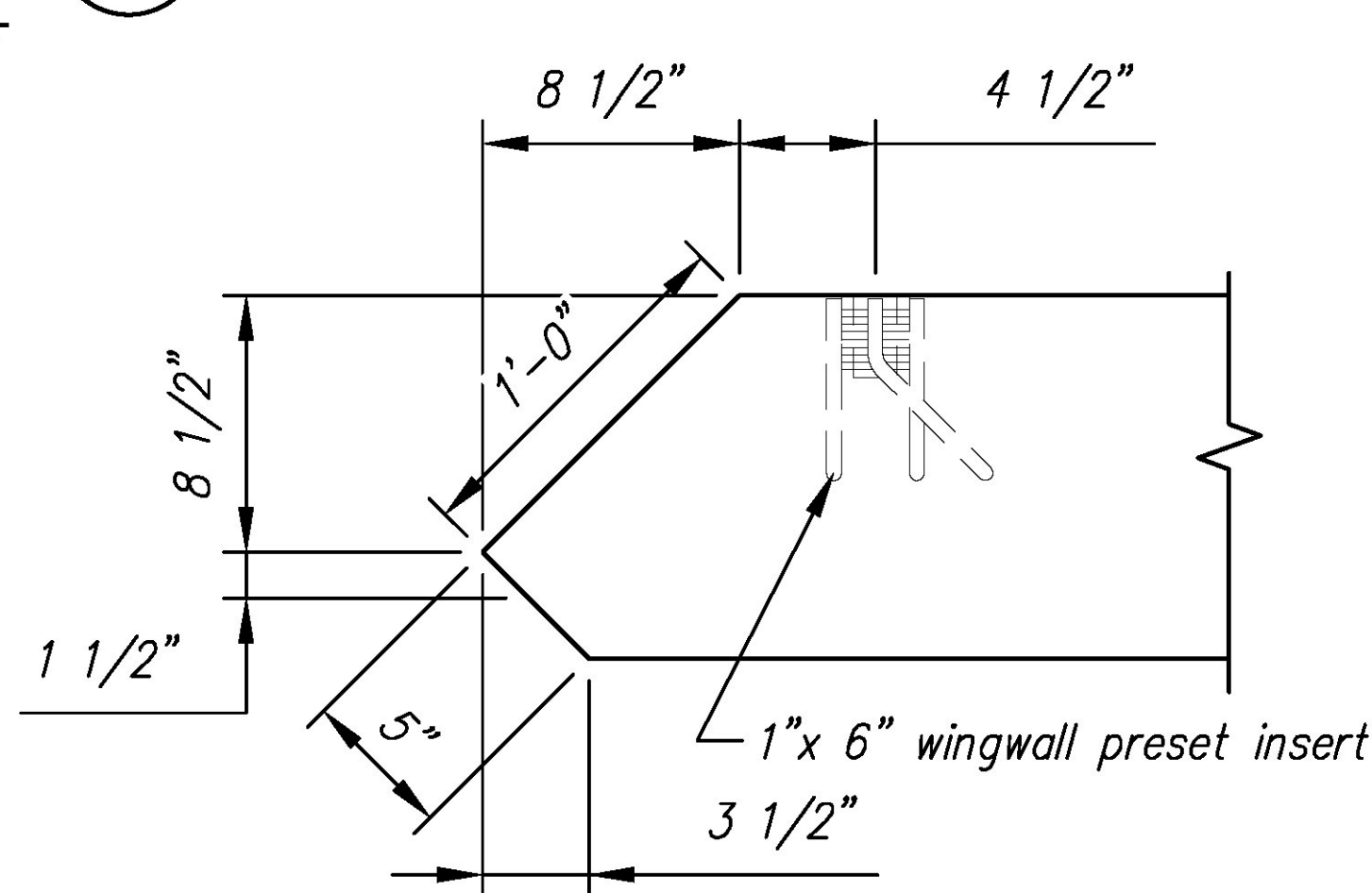


REINFORCING DETAIL
Scale: N.T.S.



PLAN VIEW
Scale: N.T.S.


ELEVATION
Scale: N.T.S.



DETAIL 1
Scale: N.T.S.

ALL EXPOSED EDGES OF CONCRETE TO RECEIVE 3/4" CHAMFER

Rev.	Date	DESCRIPTION	By
5			
4			
3			
2			
1	01APR2015	ANCHORS WERE TYPE 'D', WALL WAS 10" THK	RY
REVISIONS			

STATE AGENCY	
 Drawn By R. YEAGER Concrete Cu. Yd. 5.24 Approved By	Date 16MAR2015 Weight in Tons 10.61 Date

J A MCDONALD, INC. VT/AOT BRIDGE – STEEL CULVERT REPLACEMENT BRIDGE #7, VT ROUTE 58, IRASBURG, VT	
B	SHOP DRAWING – WW1B Drawing No. C22283-L02-WW1B
Quantity: 1	Project No: STPCULV30
SHEET 5 OF 9	

REV 1