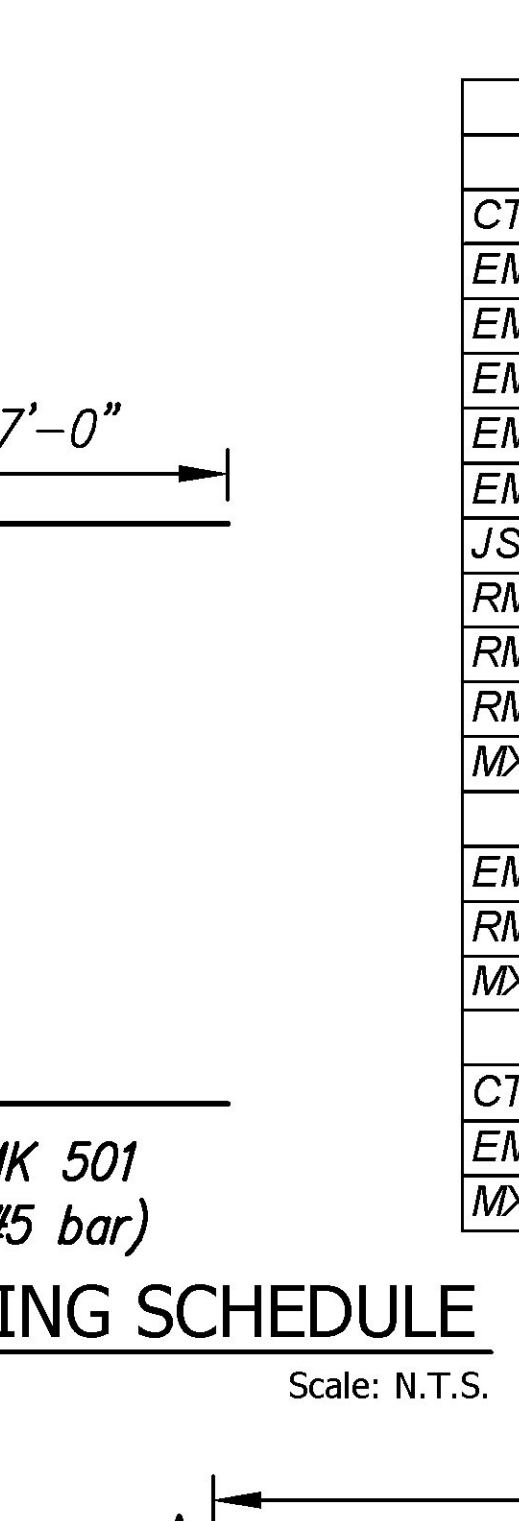
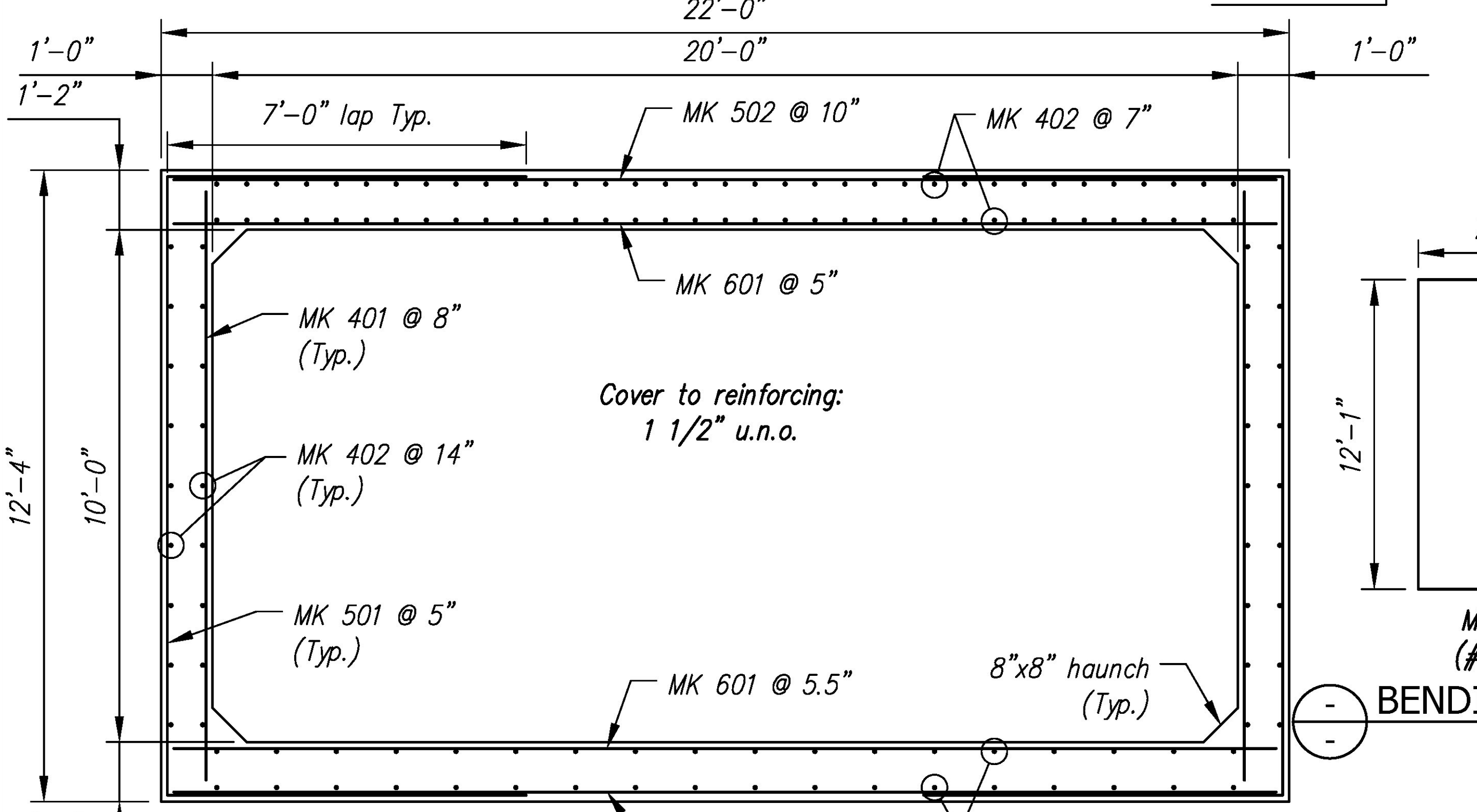


REVIEWED AS MODIFIED X
 REVISIONS AND RESUBMIT
 NOT REVIEWED
 Date: 7/13/2015
 By: Michael J. Chenette
 Stantec
 This review by Stantec Consulting Services Inc. is for the sole purpose of accelerating conformance with the general design concept. This review shall not mean that Stantec Consulting Services Inc. approves the detail design inherent in the shop drawings. Responsibility for which shall remain with the Contractor. Submitting notes and each review shall not release the Contractor of his responsibility for errors or omissions in the shop drawings or of his responsibility for meeting all requirements of the Contract Documents. The Contractor is responsible for dimensions to be confirmed and controlled at the job site, for information that pertains solely to the fabrication process or to techniques of construction and fabrication and for coordination of the work of all subcontractors.

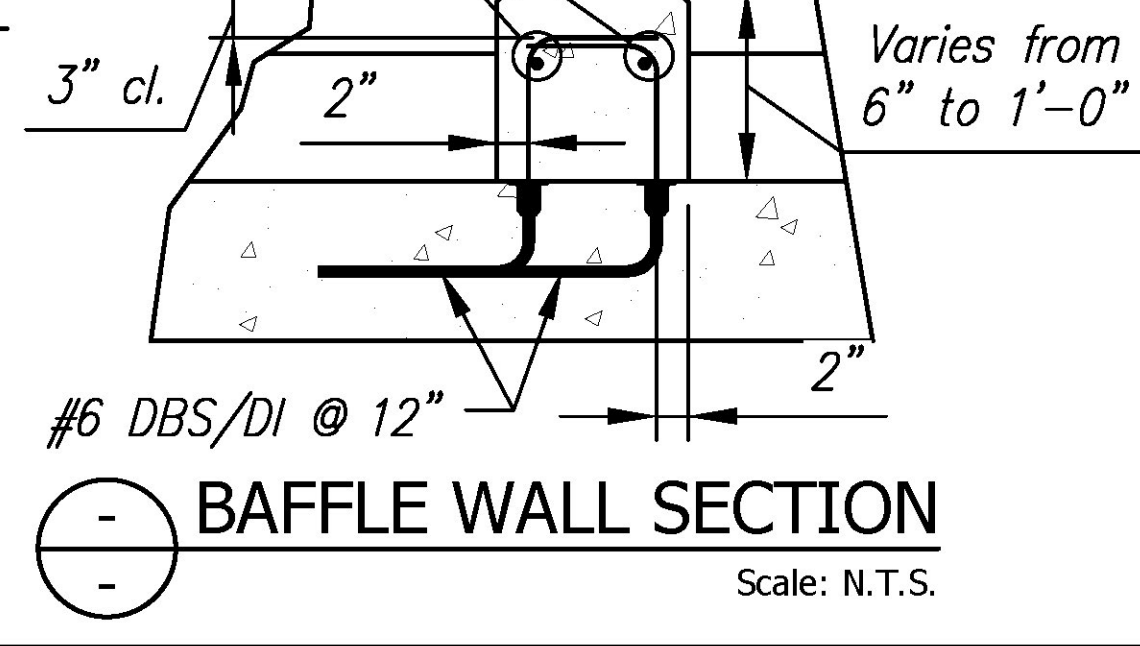
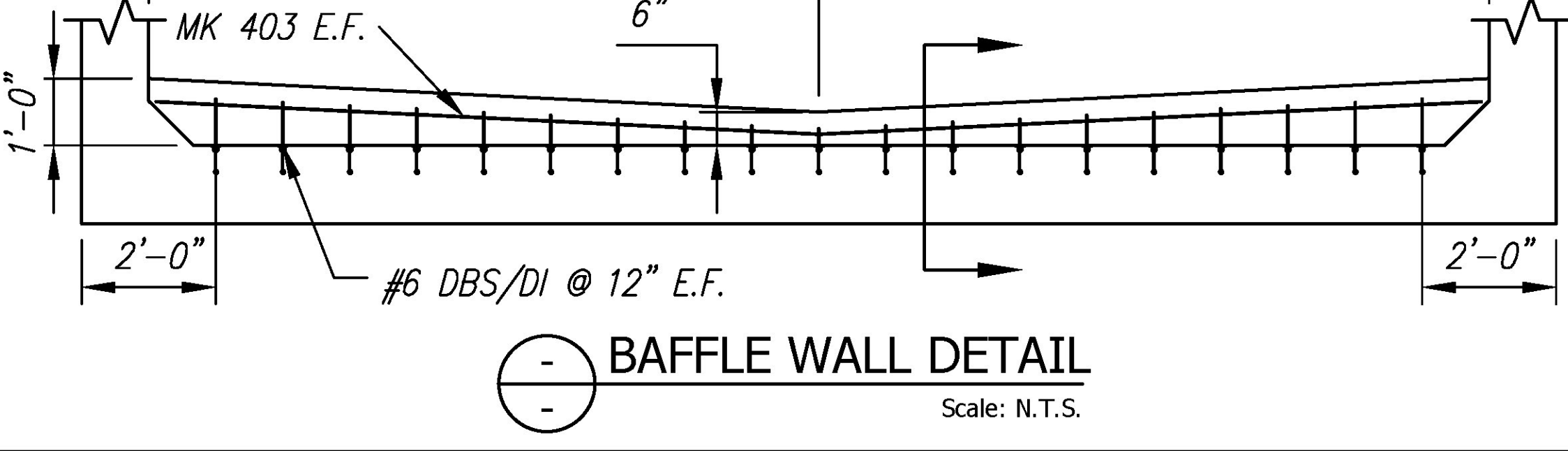
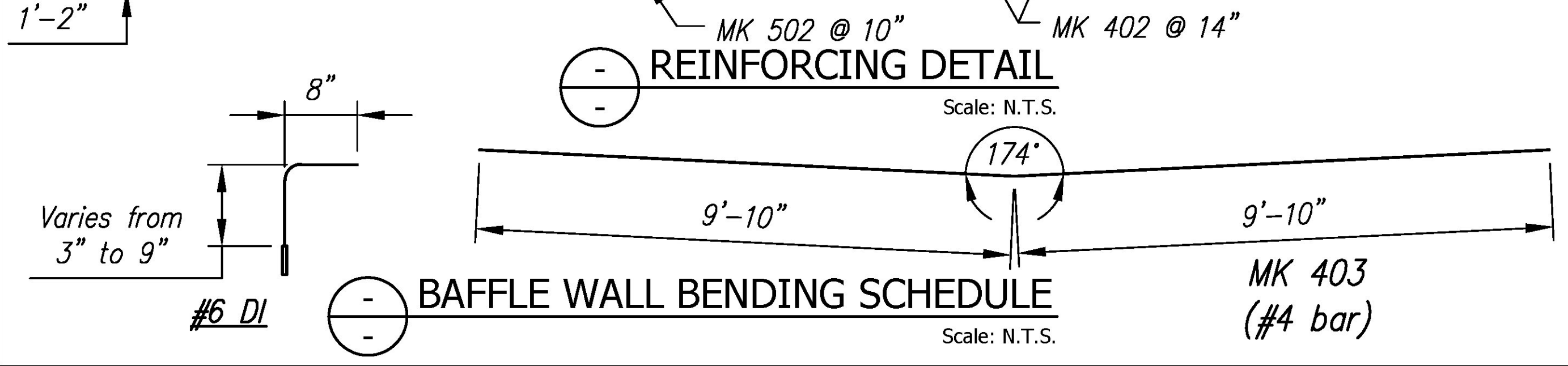


B3 - BILL OF MATERIALS / EMBEDS				
CSI ID#	DESCRIPTION	QTY	UM	COMMENTS
CT-00005	CONSOLIDECK SALTGUARD (SILANE SILOXANE)	0.36	GA	
EM-0005A	1" X 6" PRESET WING INSERTS	4.00	EA	
EM-00010	DBSAE #4 X 18" BLACK	34	EA	DOWEL BAR SPLICER
EM-00014	DBSAE #6 X 18" PLAIN	38	EA	DOWEL BAR SPLICER
EM-00033	3" FOAM CORE PVC	7	FT	
EM-00125	BOLT POCKET PLATES (GALVANIZED)	4	EA	
JS-00002	1"X1" CLOSED NEOP GASKET	65	FT	AROUND BELL
RM-00013	REBAR #4 BLACK- GR 60	636	LB	
RM-00015	REBAR #5 BLACK-GR 60 40'	1017	LB	
RM-00017	REBAR #6 BLACK-GR 60 40'	807	LB	
MX-FA5000SC30	MIX DESIGN - FLY ASH 5000 SELF CONSOLIDATING	14.87	CY	
B3 BAFFLE WALL - BILL OF MATERIALS / EMBEDS				
EM-00022	DI #6 X 18" BLACK	38	EA	DOWEL IN
RM-00013	REBAR #4 BLACK- GR 60	26	LB	
MX-FA5000SC30	MIX DESIGN - FLY ASH 5000 SELF CONSOLIDATING	0.51	CY	
B3 HEADWALL - BILL OF MATERIALS / EMBEDS				
CT-00005	CONSOLIDECK SALTGUARD (SILANE SILOXANE)	0.28	GA	
EM-00018	DI #4 X 18" PLAIN	34	EA	DOWEL IN
MX-FA5000SC30	MIX DESIGN - FLY ASH 5000 SELF CONSOLIDATING	0.67	CY	

B3 Rebar Schedule			
MK	QTY	LENGTH	
401 #4	18	11' - 6"	
402 #4	142	5' - 3"	
501 #5	27	26' - 1"	
502 #5	14	21' - 6"	
601 #6	27	21' - 6"	

B3 BW Rebar Schedule			
MK	QTY	LENGTH	
403 #4	2	19' - 8"	

Vermont Agency of Transportation
RECEIVED
 ON: July 13, 2015
 and Checked for
CONFORMANCE
 BY: Mark Sargent DATE: 7/13/2015



Rev.	Date	DESCRIPTION	By
5			
4			
3			
2			
1	30JUN2015	SECTION A: 9 7/8" DIM WAS 9 3/8", REMOVED HW SKEW	RY

REVISIONS

STATE AGENCY
 VTtrans Working to Get You There
 Vermont Agency of Transportation

Concrete Systems Inc.
 9 Commercial St., Hudson, NH, 03051
 Phone 603-889-4163
 Fax 603-889-2417

Drawn By: R. YEAGER
 Date: 16MAR2015
 Concrete Cu. Yd.: 16.06
 Weight in Tons: 32.52
 Approved By: M SCOTT
 Date: 7/1/15

J A MCDONALD, INC.
 VT/AOT BRIDGE - STEEL CULVERT REPLACEMENT
 BRIDGE #7, VT ROUTE 58, IRASBURG, VT

SHOP DRAWING - B3
 Drawing No. C22283-L02-B3

Quantity: 1
 Project No: STPCULV30
 SHEET 3 OF 9

REV 1