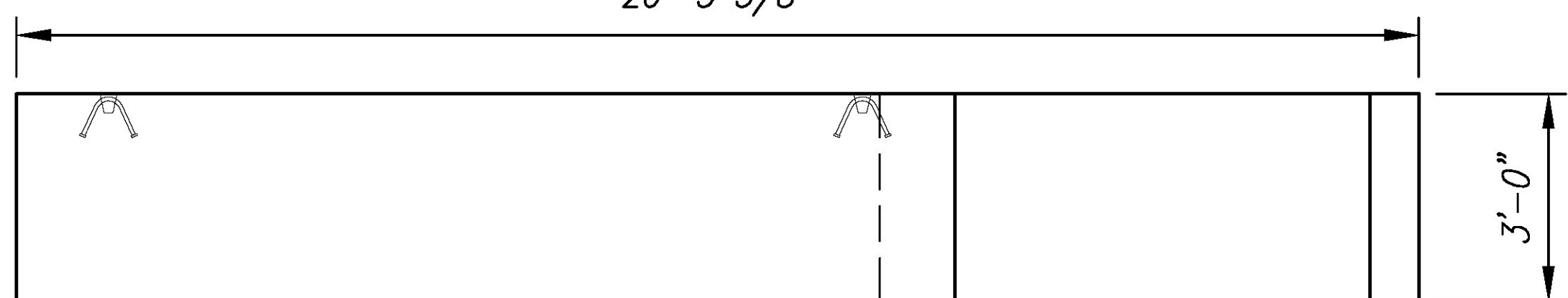
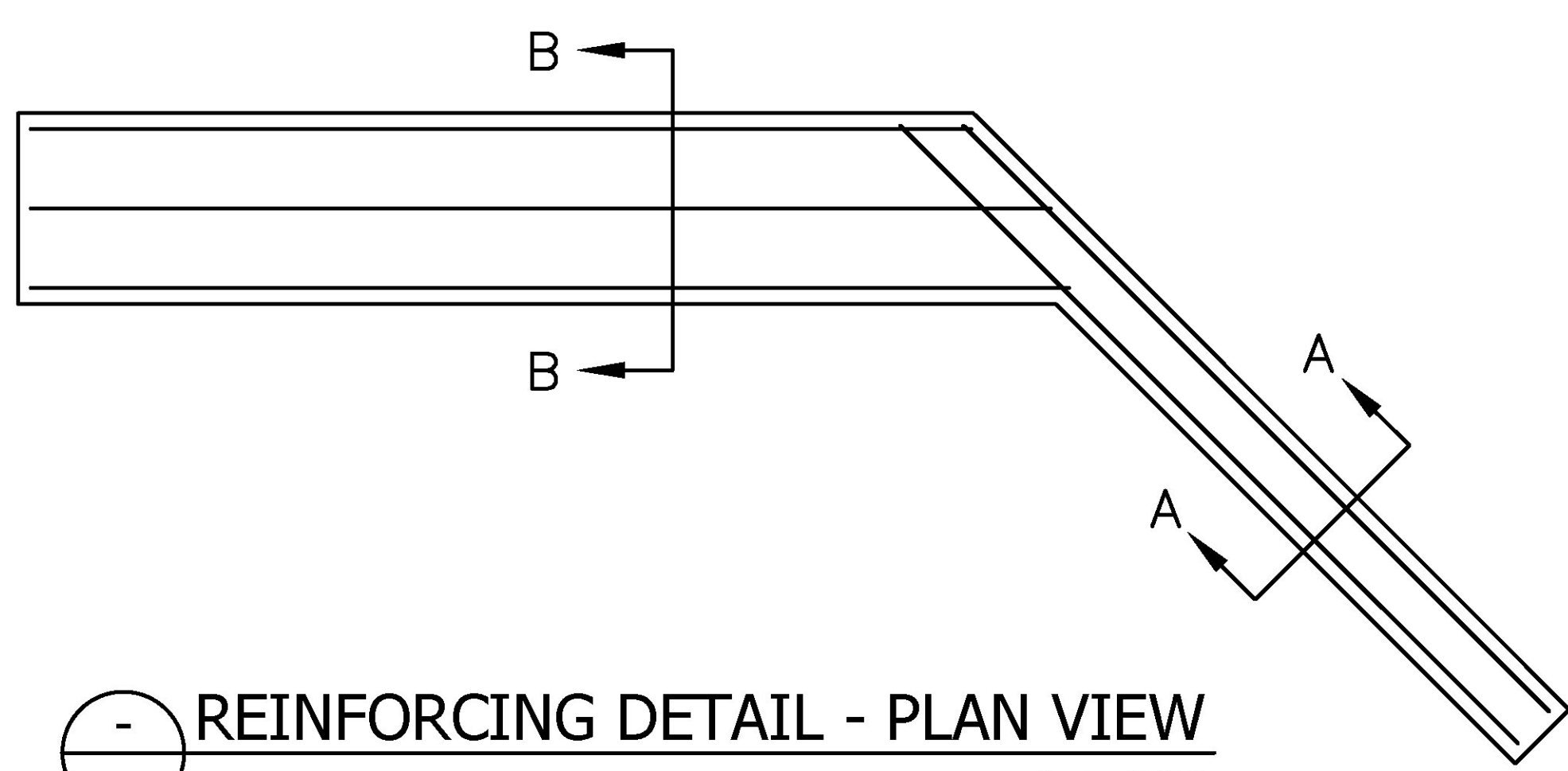


PLAN VIEW
Scale: N.T.S.
20'-3 5/8"



ELEVATION
Scale: N.T.S.

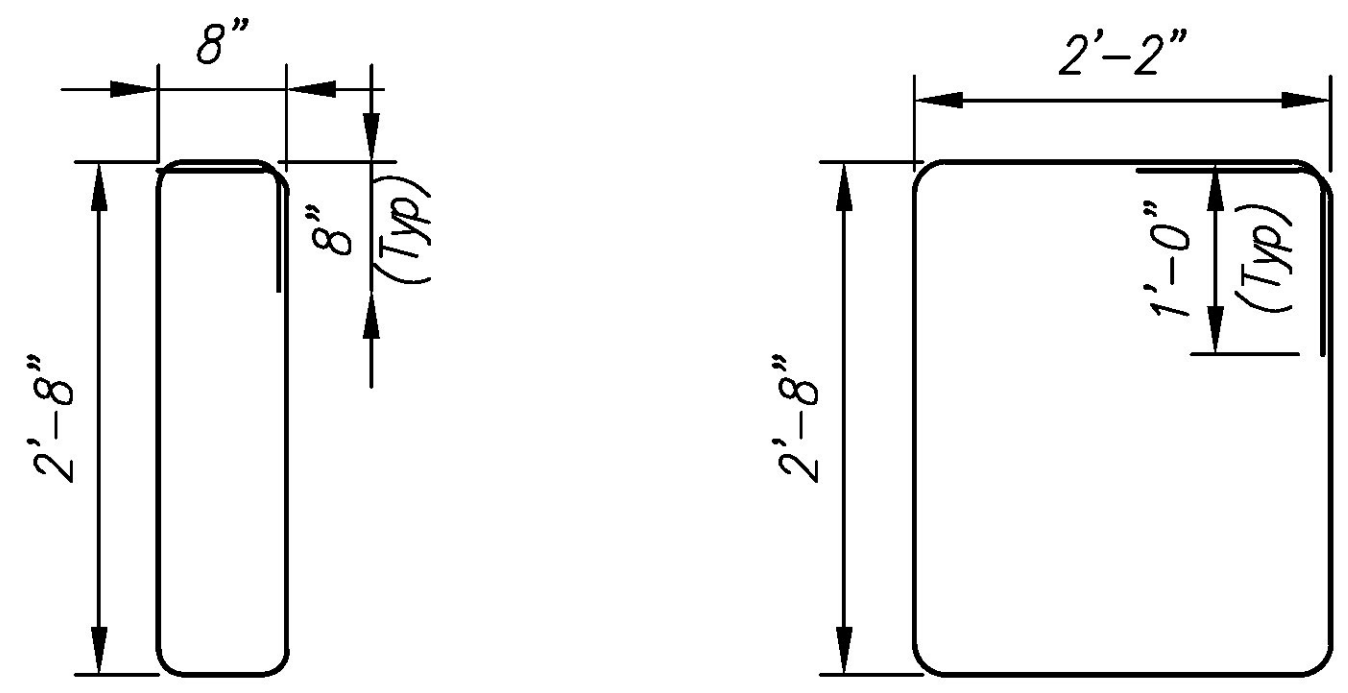


REINFORCING DETAIL - PLAN VIEW
Scale: N.T.S.

Vermont Agency of Transportation
RECEIVED
ON: April 30, 2015
and Checked for
CONFORMANCE
BY: Mark Sargent DATE: 5/7/2015

F4A FOOTING - BILL OF MATERIALS / EMBEDS				
CSI ID#	DESCRIPTION	QTY	UM	COMMENTS
EM-00115	UTILITY ANCHOR #8UA671-GALVANIZED	2	EA	
RM-00013	REBAR #4 BLACK- GR 60	63	LB	
RM-00017	REBAR #6 BLACK-GR 60 40'	192	LB	
MX-FA5000SC30	MIX DESIGN - FLY ASH 5000 SELF CONSOLIDATING	4.71	CY	

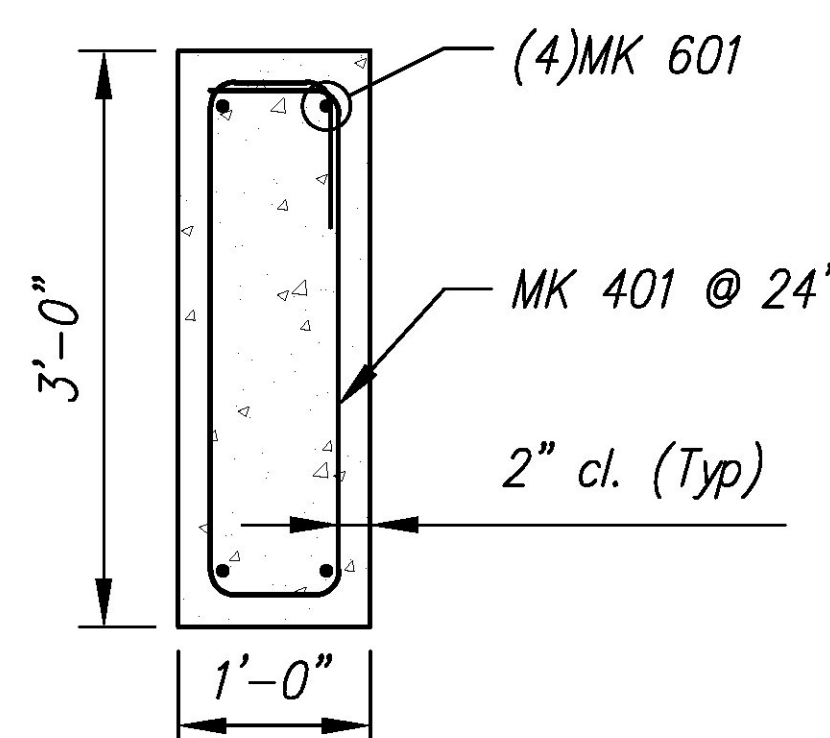
F4A Rebar Schedule			
MK	#	QTY	LENGTH
401	#4	6	8' - 0"
402	#4	4	11' - 7"
601	#6	4	11' - 6"
602	#6	6	13' - 7" MAX



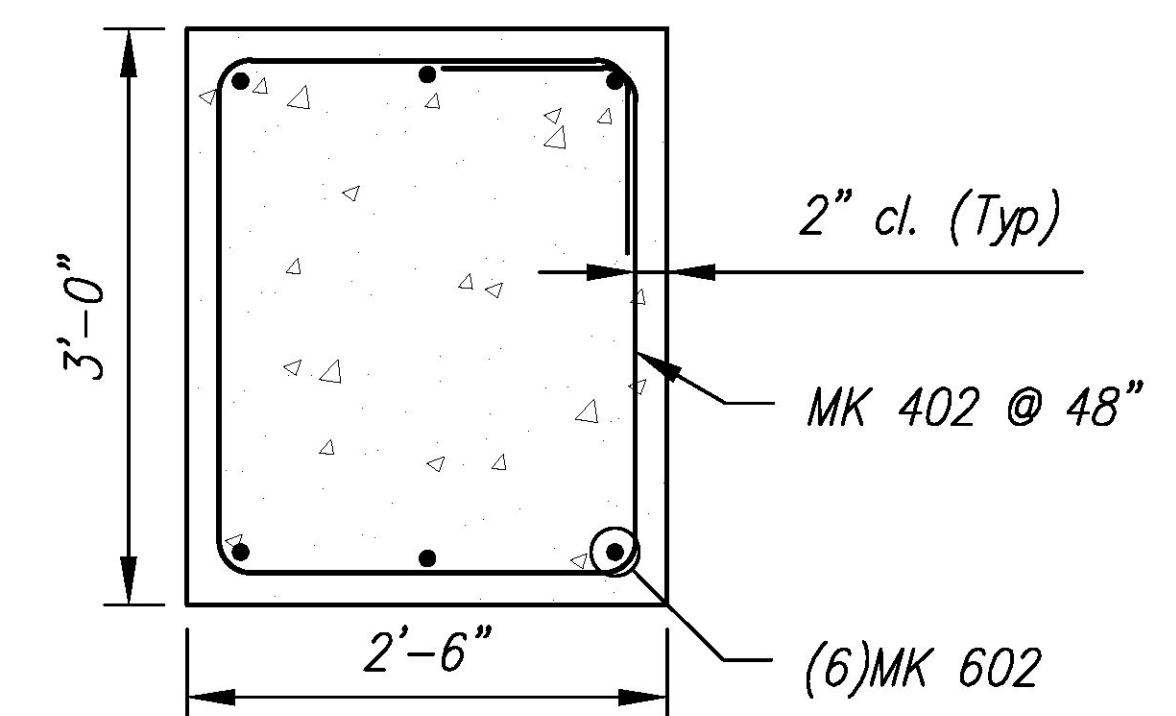
BENDING SCHEDULE
Scale: N.T.S.

REVIEWED	<input checked="" type="checkbox"/>	
REVIEWED AS MODIFIED	<input type="checkbox"/>	
REVISE AND RESUBMIT	<input type="checkbox"/>	
NOT REVIEWED	<input type="checkbox"/>	
Date: 4/24/2015		
By: Nathan Tirk		
<small>This review by Stantec Consulting Services Inc. is for the sole purpose of ascertaining conformance with the general design concept. This review shall not mean that Stantec Consulting Services Inc. approves the detail design in here in the shop drawings, responsibility for which shall remain with the Contractor. Submitting same, and such review shall not relieve the Contractor of his responsibility for errors or omissions in the shop drawing or of his responsibility for meeting all requirements of the Contract Documents. The contractor is responsible for dimensions to be confirmed and correlated at the job site, for information that pertains solely to the fabrication processes or to techniques of construction and installation and for coordination of the work of all subtrades.</small>		

Cover to reinforcing: 2" u.n.o.



SECTION A-A



SECTION B-B

REINFORCING DETAIL
Scale: N.T.S.

Rev.	Date	DESCRIPTION	By
5			
4			
3			
2	28APR2015	REVISED UTILITY ANCHOR LOCATIONS	RY
1	01APR2015	DIMENSIONAL CHANGES DUE TO 12" THK WW	RY
Rev.	Date	DESCRIPTION	By
REVISIONS			

 Concrete Systems Inc. 9 Commercial St., Hudson, NH, 03051 Phone 603-889-4163 Fax 603-889-2417	STATE AGENCY VTrans <small>Working to Get You There</small> VERMONT AGENCY OF TRANSPORTATION	J A MCDONALD, INC. VT/AOT BRIDGE - STEEL CULVERT REPLACEMENT BRIDGE #6, VT ROUTE 58, IRASBURG, VT
	Drawn By R. YEAGER Concrete Cu. Yd. 4.71 Approved By	Date 12MAR2015 Weight in Tons 9.54 Date
		Drawing No. C22283-L01-F4A REV 2