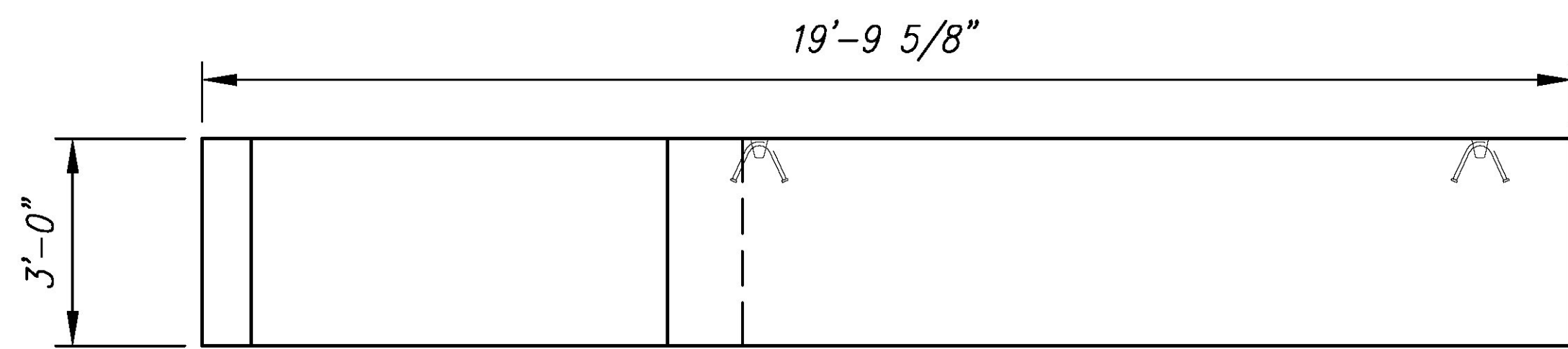
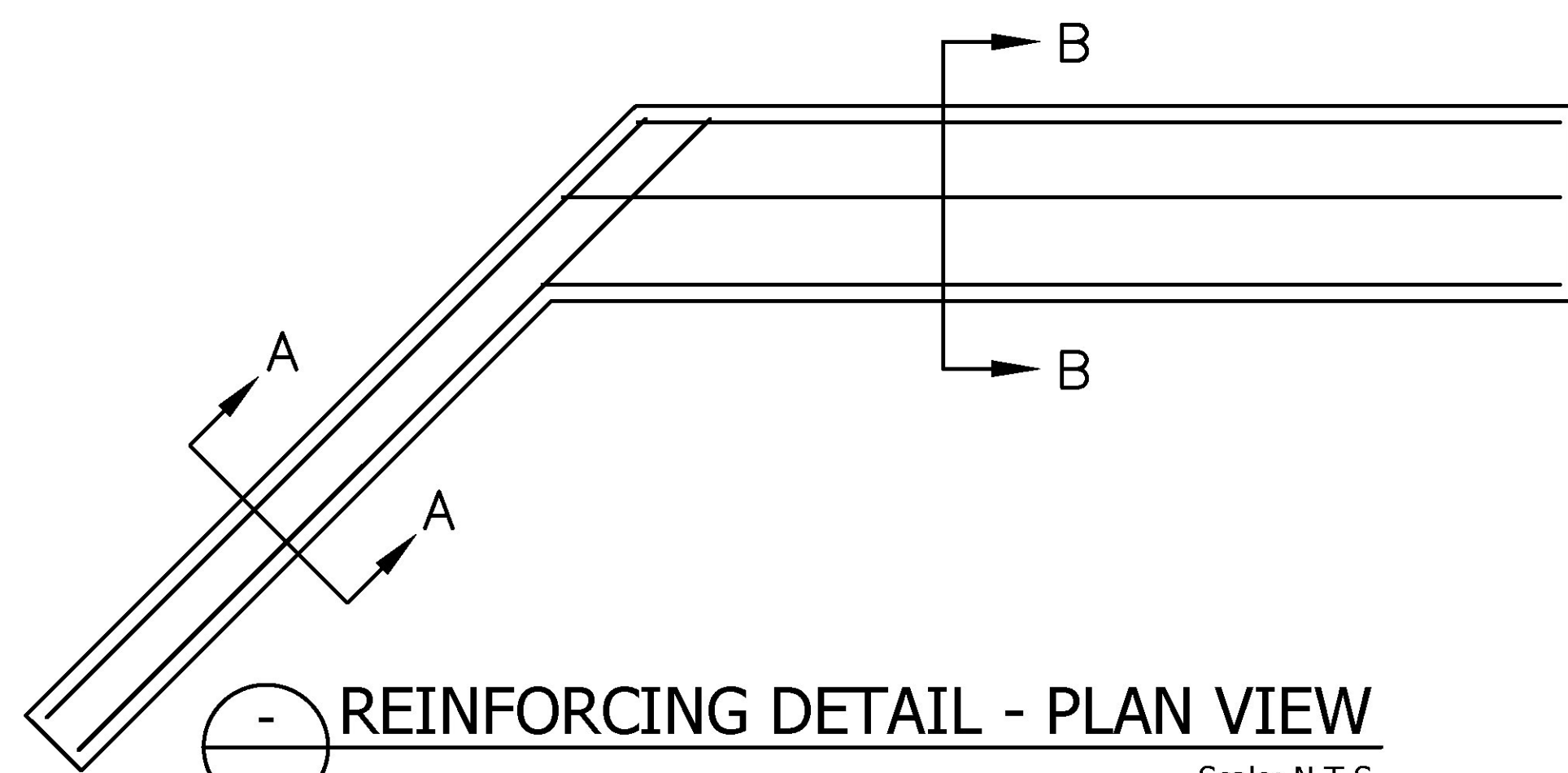


PLAN VIEW  
Scale: N.T.S.



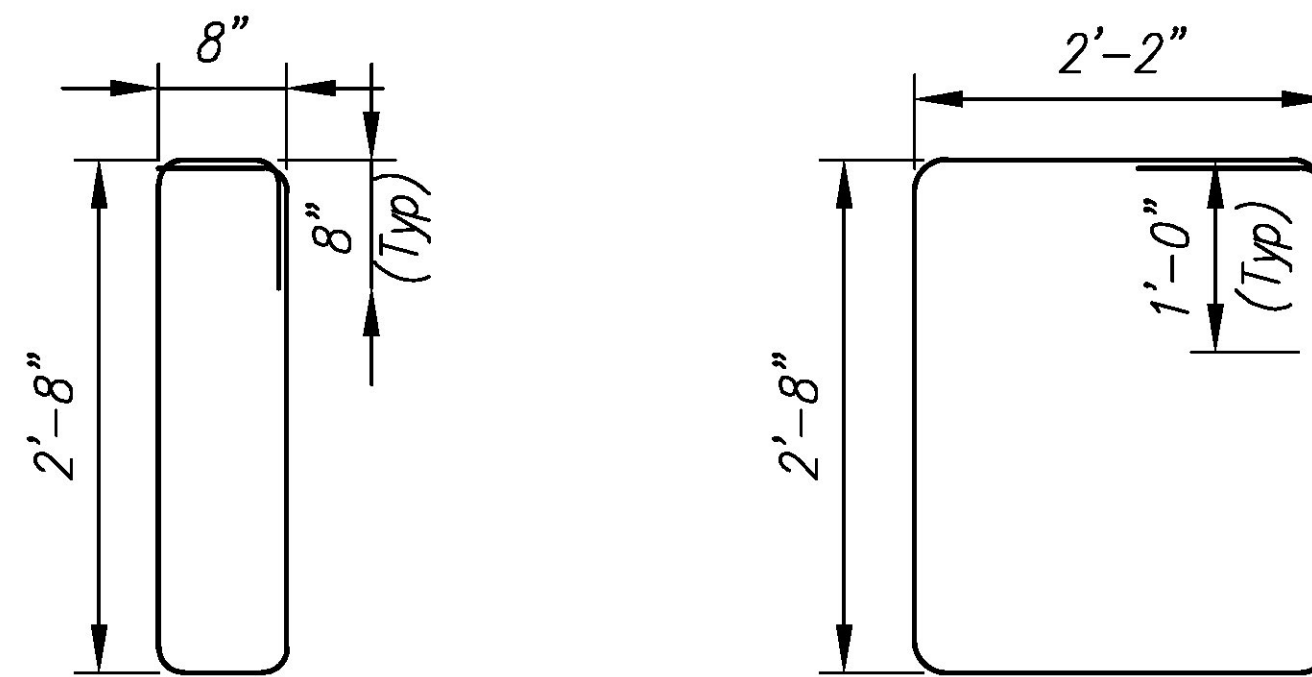
ELEVATION  
Scale: N.T.S.



REINFORCING DETAIL - PLAN VIEW  
Scale: N.T.S.

F2A FOOTING - BILL OF MATERIALS / EMBEDS				
CSI ID#	DESCRIPTION	QTY	UM	COMMENTS
EM-00115	UTILITY ANCHOR #8UA671-GALVANIZED	2	EA	
RM-00013	REBAR #4 BLACK- GR 60	63	LB	
RM-00017	REBAR #6 BLACK-GR 60 40'	186	LB	
MX-FA5000SC30	MIX DESIGN - FLY ASH 5000 SELF CONSOLIDATING	4.57	CY	

F2A Rebar Schedule			
MK	QTY	LENGTH	
401 #4	6	8' - 0"	
402 #4	4	11' - 8"	
601 #6	4	11' - 6"	
602 #6	6	13' - 0"	MAX



MK 401 #4 bar  
MK 402 #4 bar

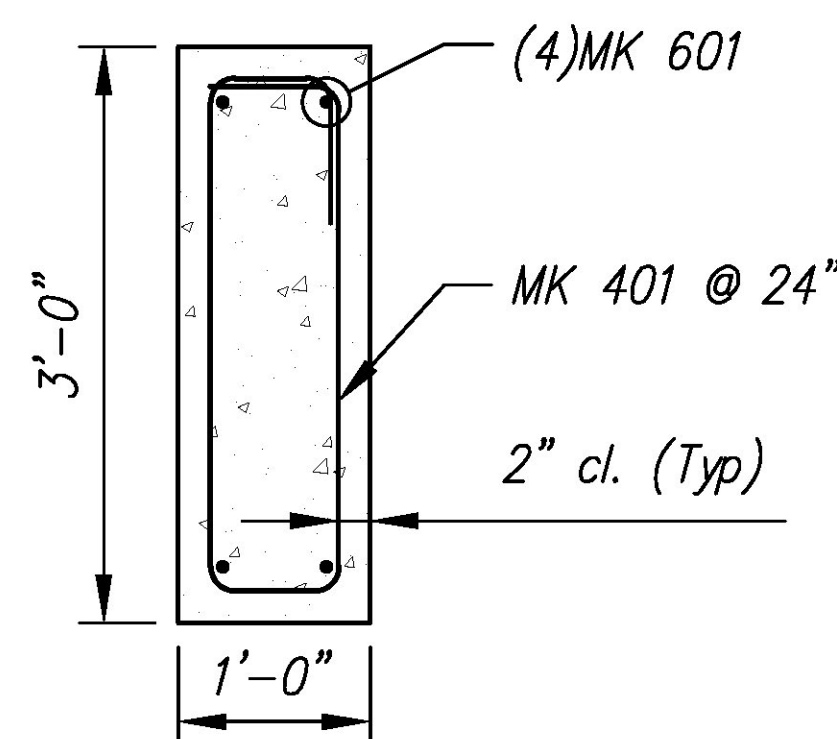
BENDING SCHEDULE  
Scale: N.T.S.

Cover to reinforcing: 2" u.n.o.

REVIEWED	<input checked="" type="checkbox"/>	
REVIEWED AS MODIFIED	<input type="checkbox"/>	
REVISE AND RESUBMIT	<input type="checkbox"/>	
NOT REVIEWED	<input type="checkbox"/>	
Date: 4/24/2015		
By: Nathan Tirk		
<p>This review by Stantec Consulting Services Inc. is for the sole purpose of ascertaining conformance with the general design concept. This review shall not mean that Stantec Consulting Services Inc. approves the detail design in here in the shop drawings, responsibility for which shall remain with the Contractor. Submitting same, and such review shall not relieve the Contractor of his responsibility for errors or omissions in the shop drawing or of his responsibility for meeting all requirements of the Contract Documents. The contractor is responsible for dimensions to be confirmed and correlated at the job site, for information that pertains solely to the fabrication processes or to techniques of construction and installation and for coordination of the work of all subtrades.</p>		

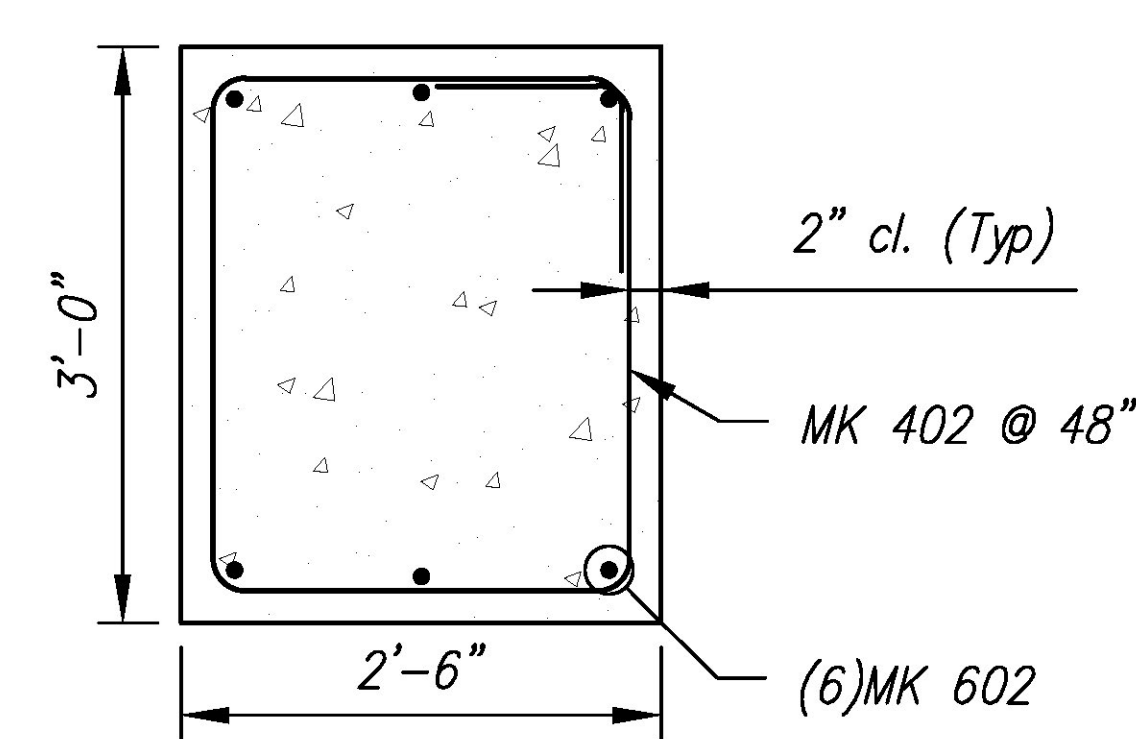
Vermont Agency of Transportation

**RECEIVED**  
ON: **April 30, 2015**  
and Checked for  
**CONFORMANCE**  
BY: Mark Sargent DATE: 5/7/2015



SECTION A-A

REINFORCING DETAIL  
Scale: N.T.S.



SECTION B-B

Rev.	Date	DESCRIPTION	By
5			
4			
3			
2	28APR2015	REVISED UTILITY ANCHOR LOCATIONS	RY
1	01APR2015	DIMENSIONAL CHANGES DUE TO 12" THK WW	RY
		REVISIONS	

**Concrete Systems Inc.**  
9 Commercial St., Hudson, NH, 03051  
Phone 603-889-4163  
Fax 603-889-2417

STATE AGENCY	
Drawn By R. YEAGER	Date 12MAR2015
Concrete Cu. Yd. 4.57	Weight in Tons 9.25
Approved By	Date

J A MCDONALD, INC. VT/AOT BRIDGE - STEEL CULVERT REPLACEMENT BRIDGE #6, VT ROUTE 58, IRASBURG, VT	
B	SHOP DRAWING - F2A
	Drawing No. C22283-L01-F2A
Quantity: 1	Project No: STPCULV30
SHEET 11 OF 13	

REV 2