

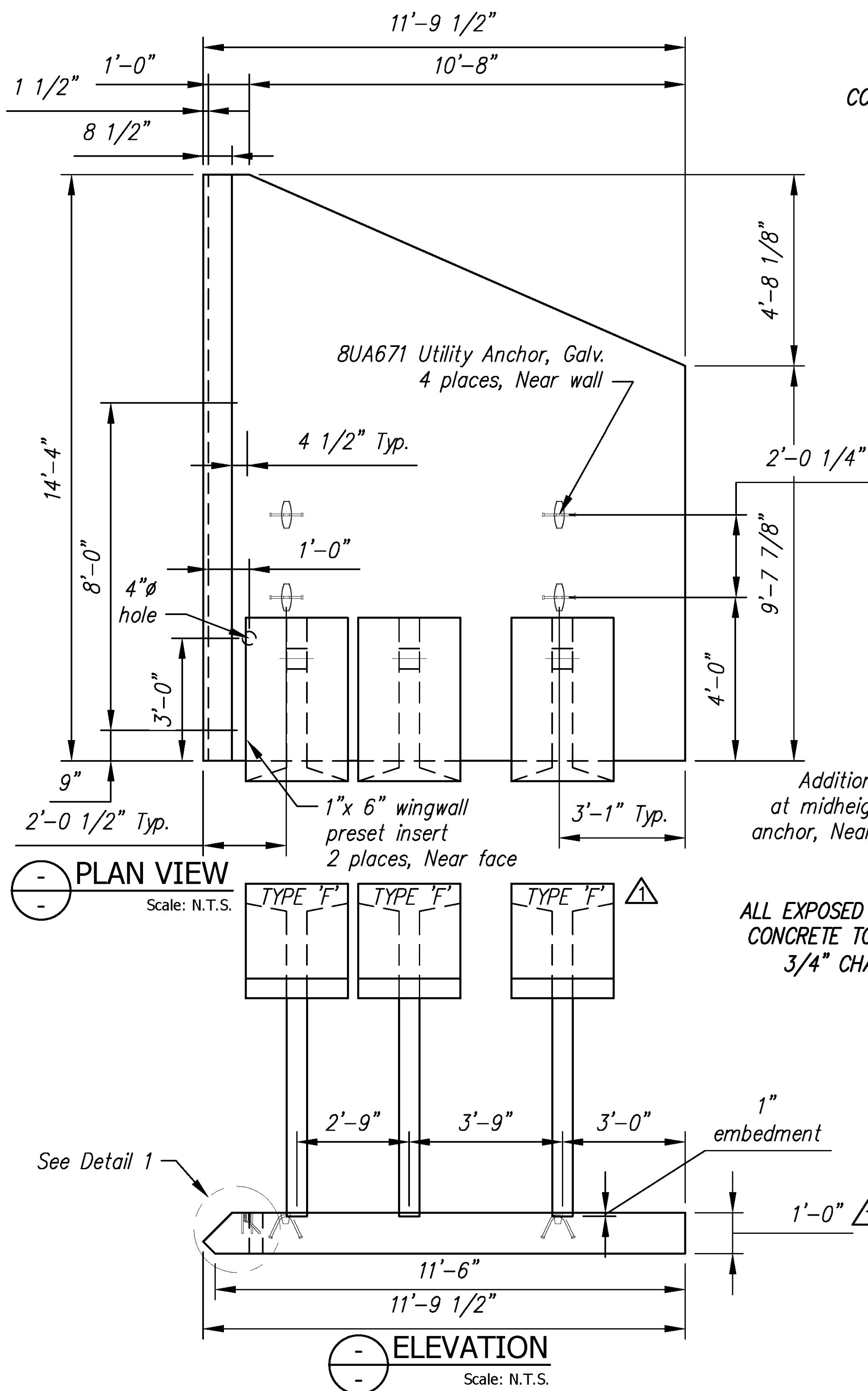
RECEIVED

ON: April 30, 2015

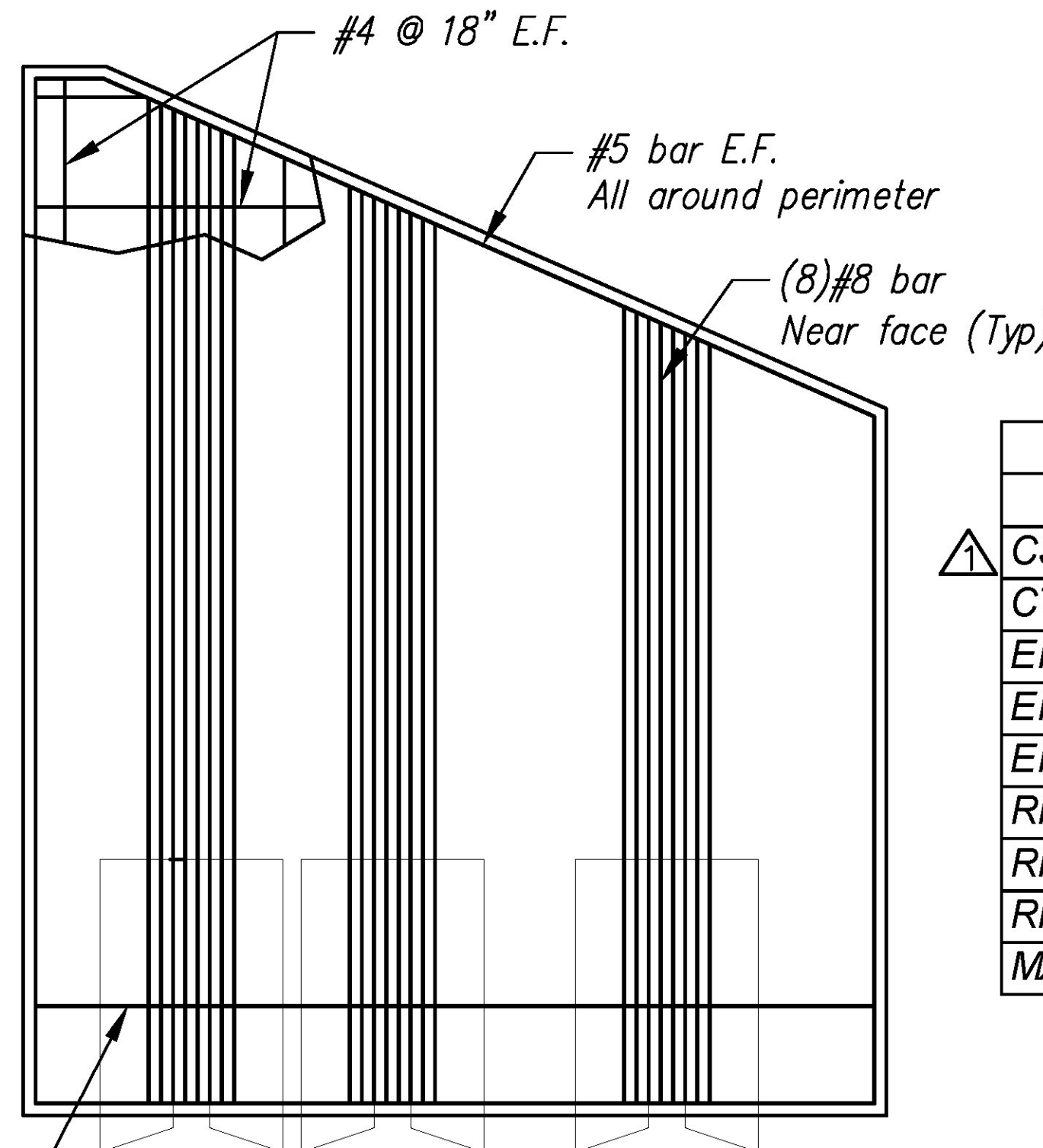
and Checked for

CONFORMANCE

BY: Mark Sargent DATE: 5/7/2015



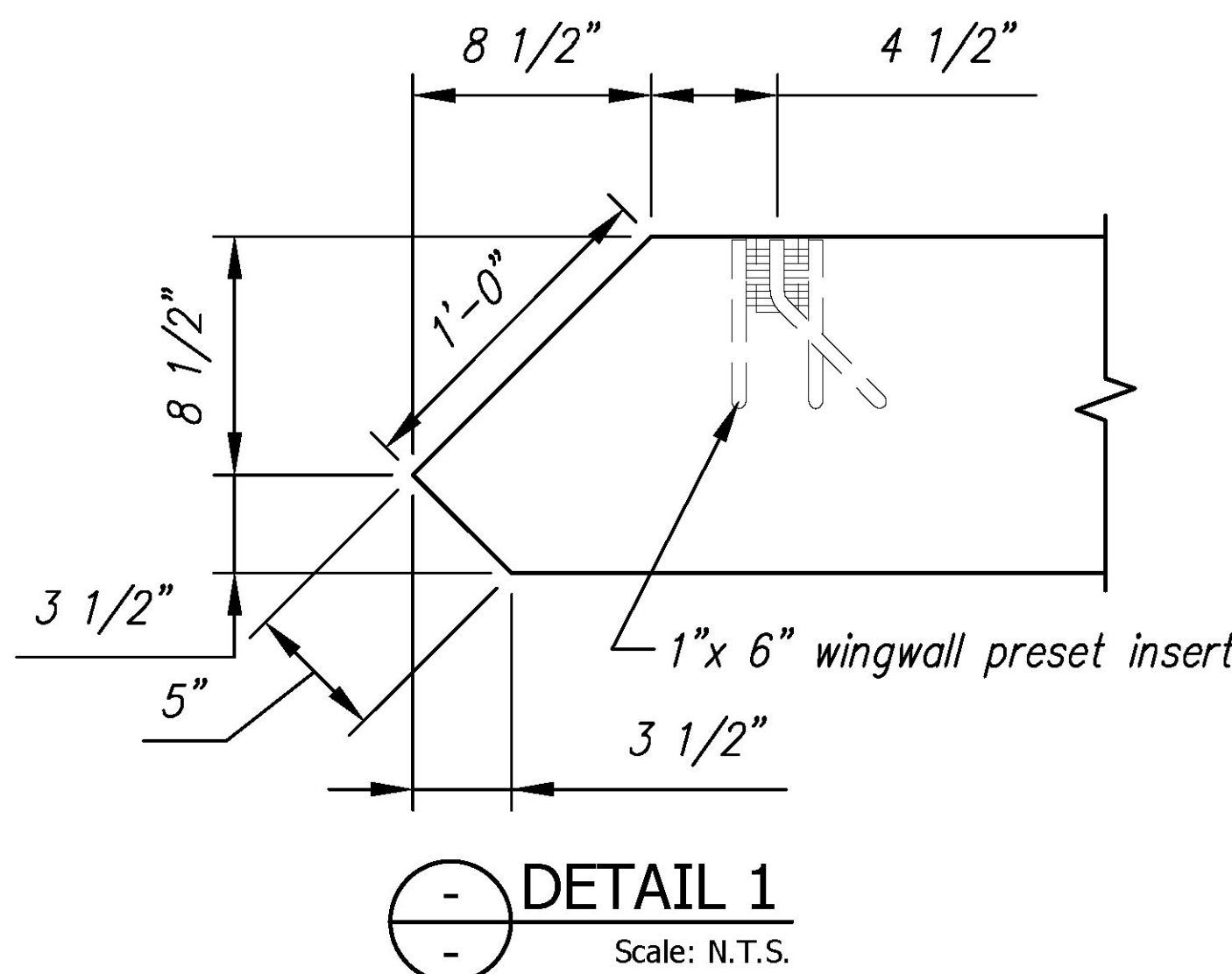
COVER TO REINFORCING:
2" EVERYWHERE



Need to specify a spacing or total width for the additional #8 bars

WW1A WINGWALL - BILL OF MATERIALS / EMBEDS				
CSI ID#	DESCRIPTION	QTY	UM	COMMENTS
CSANC-F	CON/SPAN WINGWALL ANCHOR (F)	3	EA	
CT-00005	CONSOLIDECK SALTGUARD (SILANE SILOXANE)	0.82	GA	
EM-0005A	1" X 6" PRESET WING INSERTS	2	EA	
EM-00034	4" FOAM CORE PVC	1	FT	
EM-00115	UTILITY ANCHOR #8UA671-GALVANIZED	4	EA	
RM-00013	REBAR #4 BLACK- GR 60	295	LB	
RM-00015	REBAR #5 BLACK-GR 60 40'	99	LB	
RM-00104	REBAR #8 BLACK-GR 60	897	LB	
MX-FA5000SC30	MIX DESIGN - FLY ASH 5000 SELF CONSOLIDATING	5.02	CY	

REINFORCING DETAIL
Scale: N.T.S.



DETAIL 1
Scale: N.T.S.

REVIEWED		
REVIEWED AS MODIFIED	X	
REVISE AND RESUBMIT		
NOT REVIEWED		
Date: 5/1/2015		
By: Nathan Tirk		
<p>This review by Stantec Consulting Services Inc. is for the sole purpose of ascertaining conformance with the general design concept. This review shall not mean that Stantec Consulting Services Inc. approves the detail design inherent in the shop drawings, responsibility for which shall remain with the Contractor. Submitting same, and such review shall not relieve the Contractor of his responsibility for errors or omissions in the shop drawing or of his responsibility for meeting all requirements of the Contract Documents. The contractor is responsible for dimensions to be confirmed and correlated at the job site, for information that pertains solely to the fabrication processes or to techniques of construction and installation and for coordination of the work of all subtrades.</p>		

Rev.	Date	DESCRIPTION	By
5			
4			
3			
2			
1	01APR2015	WW ANCHORS WERE TYPE 'D', WALL WAS 10" THK	RY
REVISIONS			

Concrete Systems Inc.
9 Commercial St., Hudson, NH, 03051
Phone 603-889-4163
Fax 603-889-2417

STATE AGENCY	
Drawn By R. YEAGER	Date 12MAR2015
Concrete Cu. Yd. 7.09	Weight in Tons 14.36
Approved By	Date

J A MCDONALD, INC.	
VT/AOT BRIDGE - STEEL CULVERT REPLACEMENT BRIDGE #6, VT ROUTE 58, IRASBURG, VT	
B	SHOP DRAWING - WW1A
Drawing No.	C22283-L01-WW1A
Quantity: 1	Project No: STPCULV30
SHEET 6 OF 13	