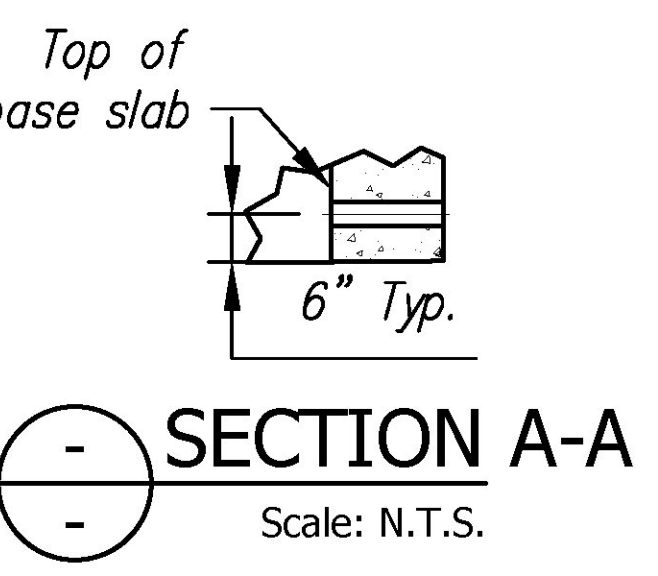
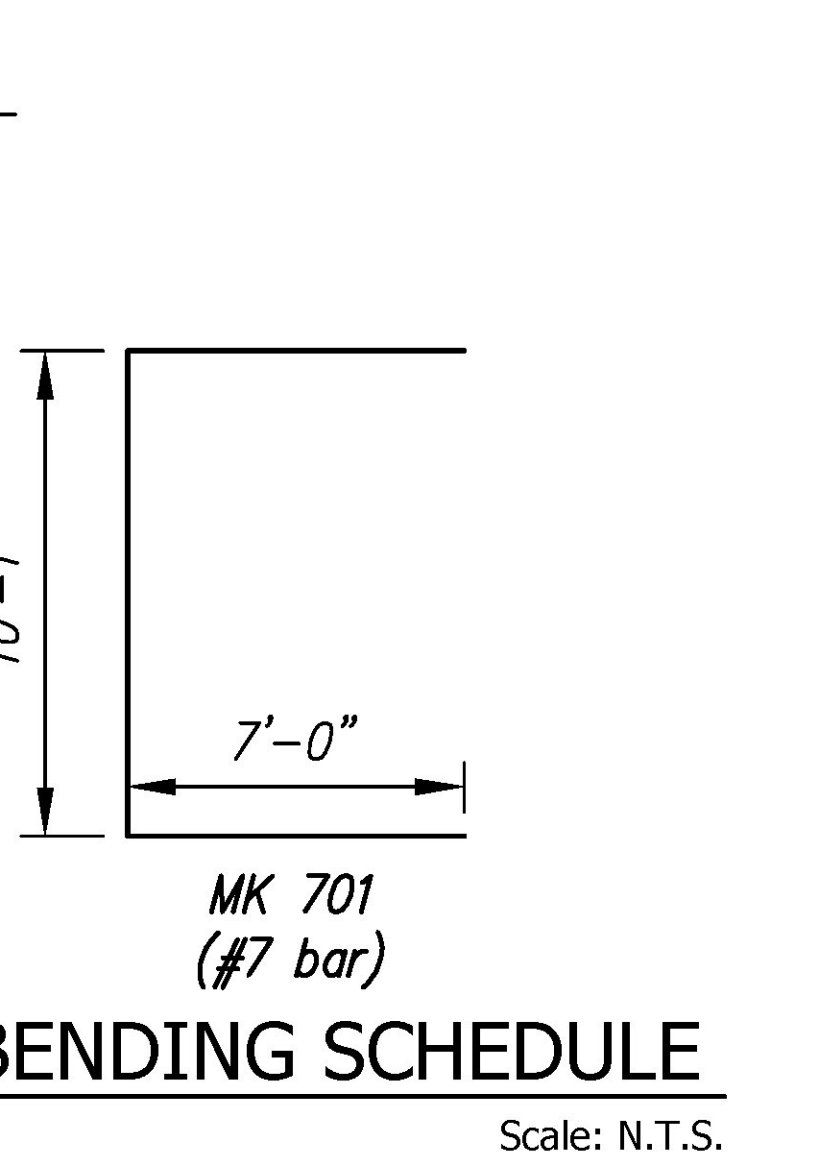
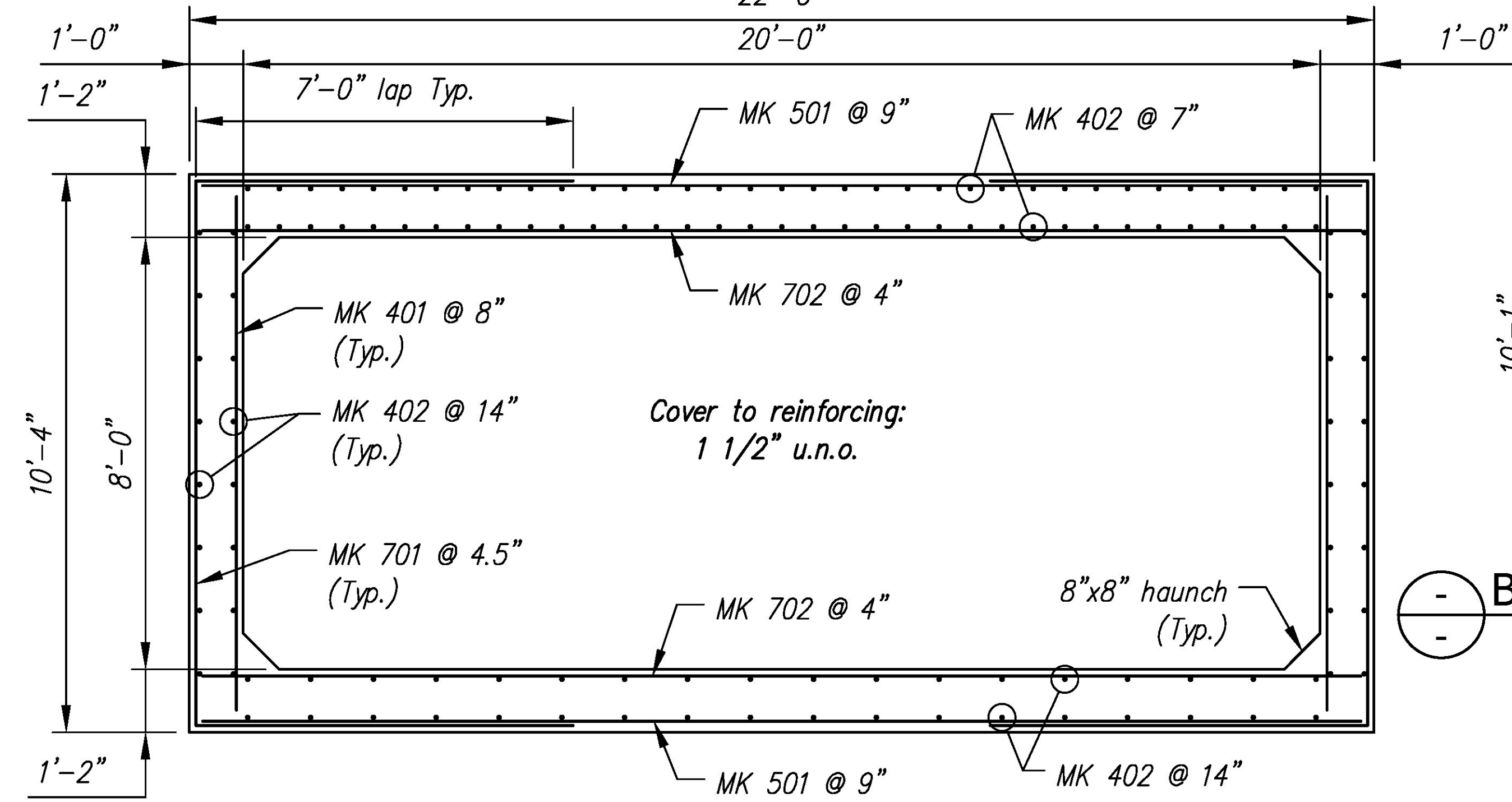


Vermont Agency of Transportation  
**RECEIVED**  
ON: April 30, 2015  
and Checked for  
**CONFORMANCE**  
BY: Mark Sargent DATE: 5/7/2015

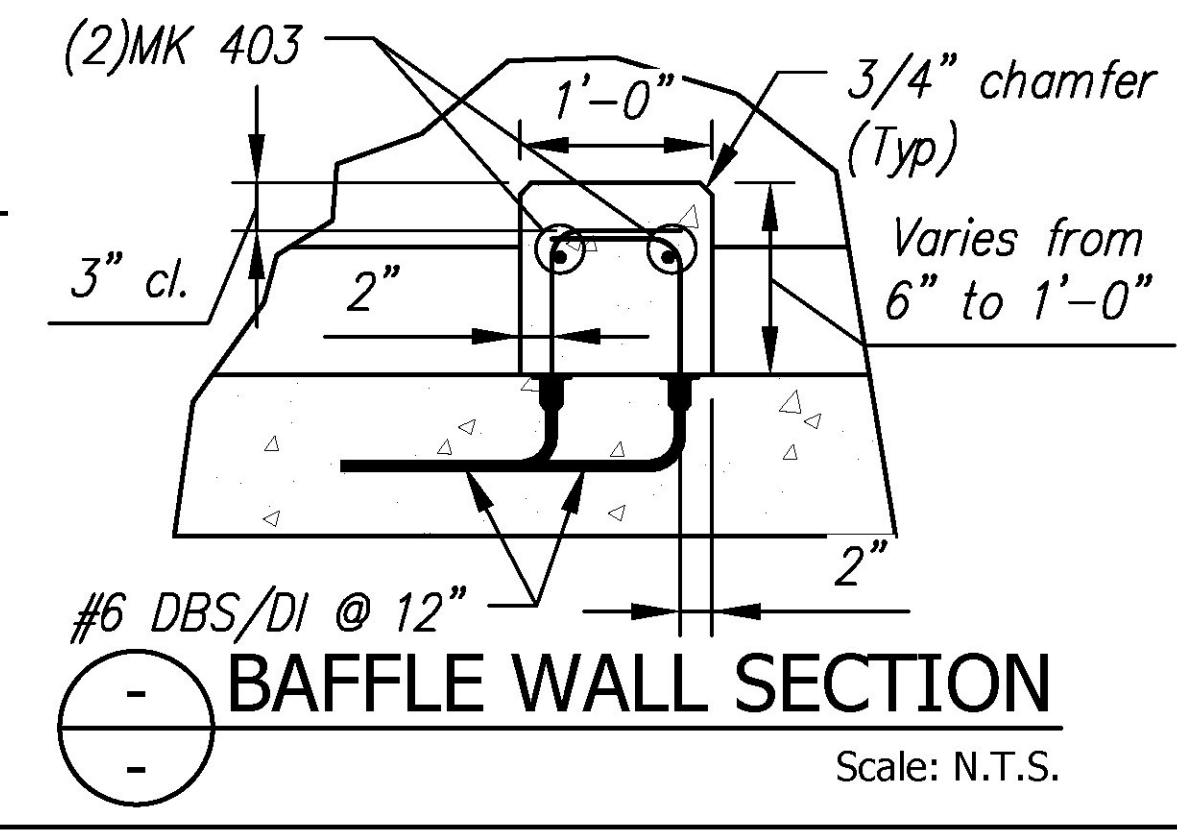
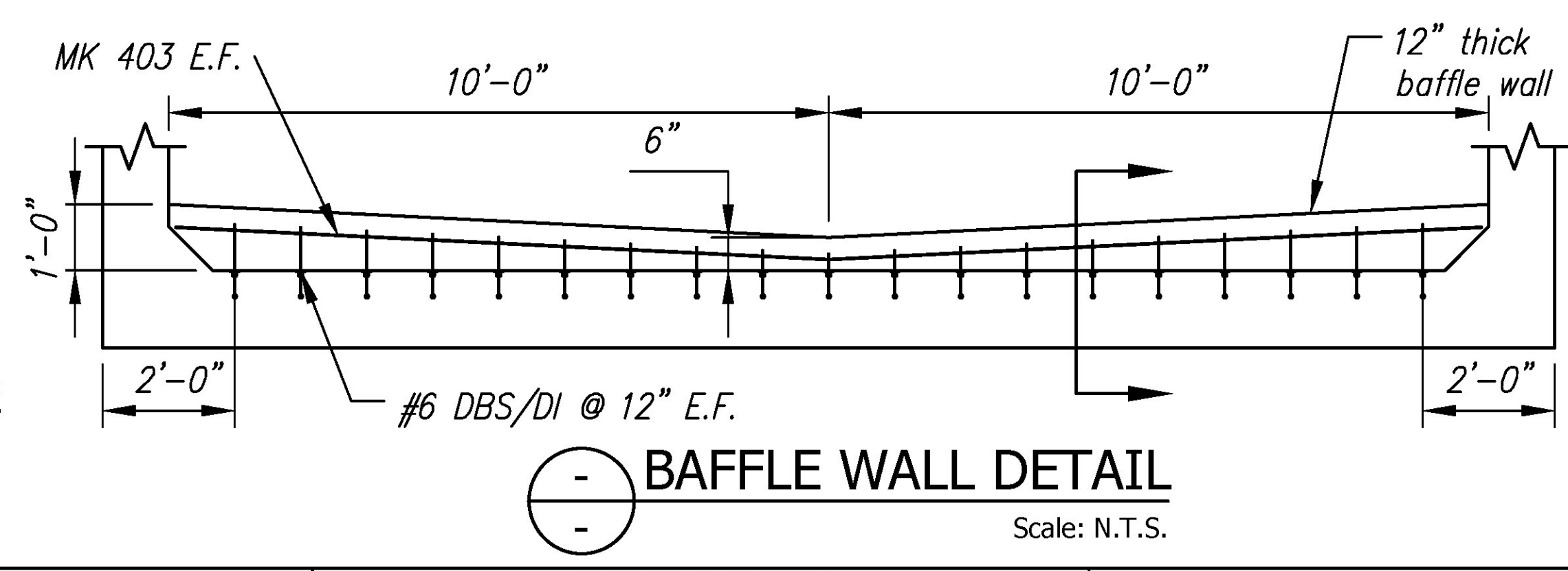
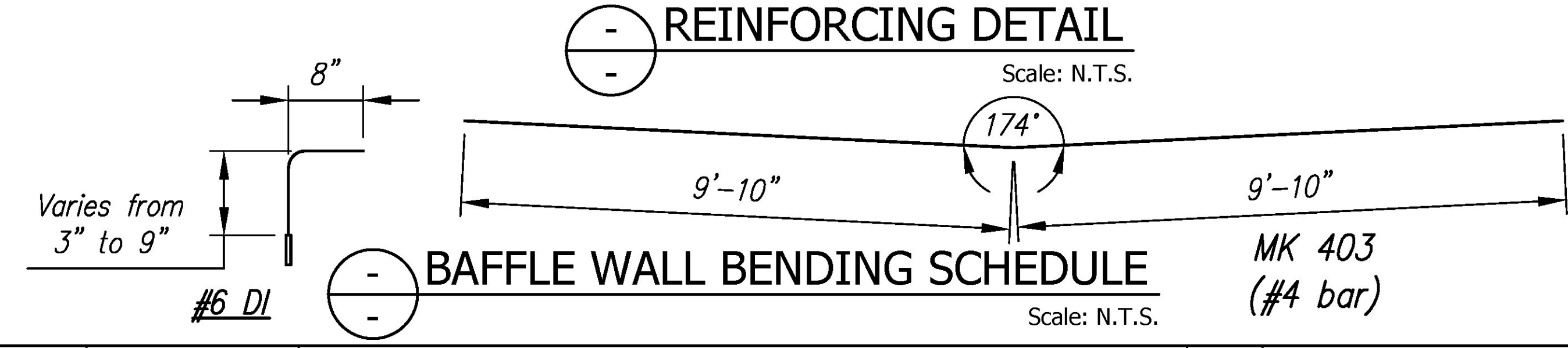
A3 Rebar Schedule			
MK	QTY	LENGTH	
401 #4	18	9' - 6"	
402 #4	138	5' - 9"	
501 #5	16	21' - 6"	
701 #7	34	24' - 1"	
702 #7	36	21' - 6"	



A3 BW Rebar Schedule			
MK	QTY	LENGTH	
403 #4	2	19' - 8"	



A3 - BILL OF MATERIALS / EMBEDS				
CSI ID#	DESCRIPTION	QTY	UM	COMMENTS
CT-00005	REVIEWED		0.34	GA
EM-0005A	REVIEWED AS MODIFIED		4	EA
EM-00014	REVISE AND RESUBMIT		38	EA DOWEL BAR SPLICER
EM-00026	NOT REVIEWED		5	EA
EM-00033			18.67	FT
EM-00125			4	EA
JS-00002	By: Nathan Tirk		62	FT AROUND BELL
RM-00013			644	LB
RM-00015			359	LB
RM-00009			3256	LB
MX-FA5000SC30			15.11	CY
EM-00022			38	EA DOWEL IN
RM-00013	RED BAR #4 BLACK GR 60		26	LB
MX-FA5000SC30	MIX DESIGN - FLY ASH 5000 SELF CONSOLIDATING	0.51	CY	



Rev.	Date	DESCRIPTION	By
5			
4			
3			
2			
1			
REVISIONS			

<p><b>Concrete Systems Inc.</b> 9 Commercial St., Hudson, NH, 03051 Phone 603-889-4163 Fax 603-889-2417</p>	<p>STATE AGENCY</p>	<p>J A MCDONALD, INC. VT/AOT BRIDGE - STEEL CULVERT REPLACEMENT BRIDGE #6, VT ROUTE 58, IRASBURG, VT</p>	
	<p>Drawn By R. YEAGER Concrete Cu. Yd. 15.62 Approved By</p>	<p>Date 12MAR2015 Weight in Tons 31.63 Date</p>	<p>B</p> <p>SHOP DRAWING - A3 Drawing No. C22283-L01-A3</p>
<p>Quantity: 1</p>		<p>Project No: STPCULV30</p>	<p>SHEET 3 OF 13</p>