

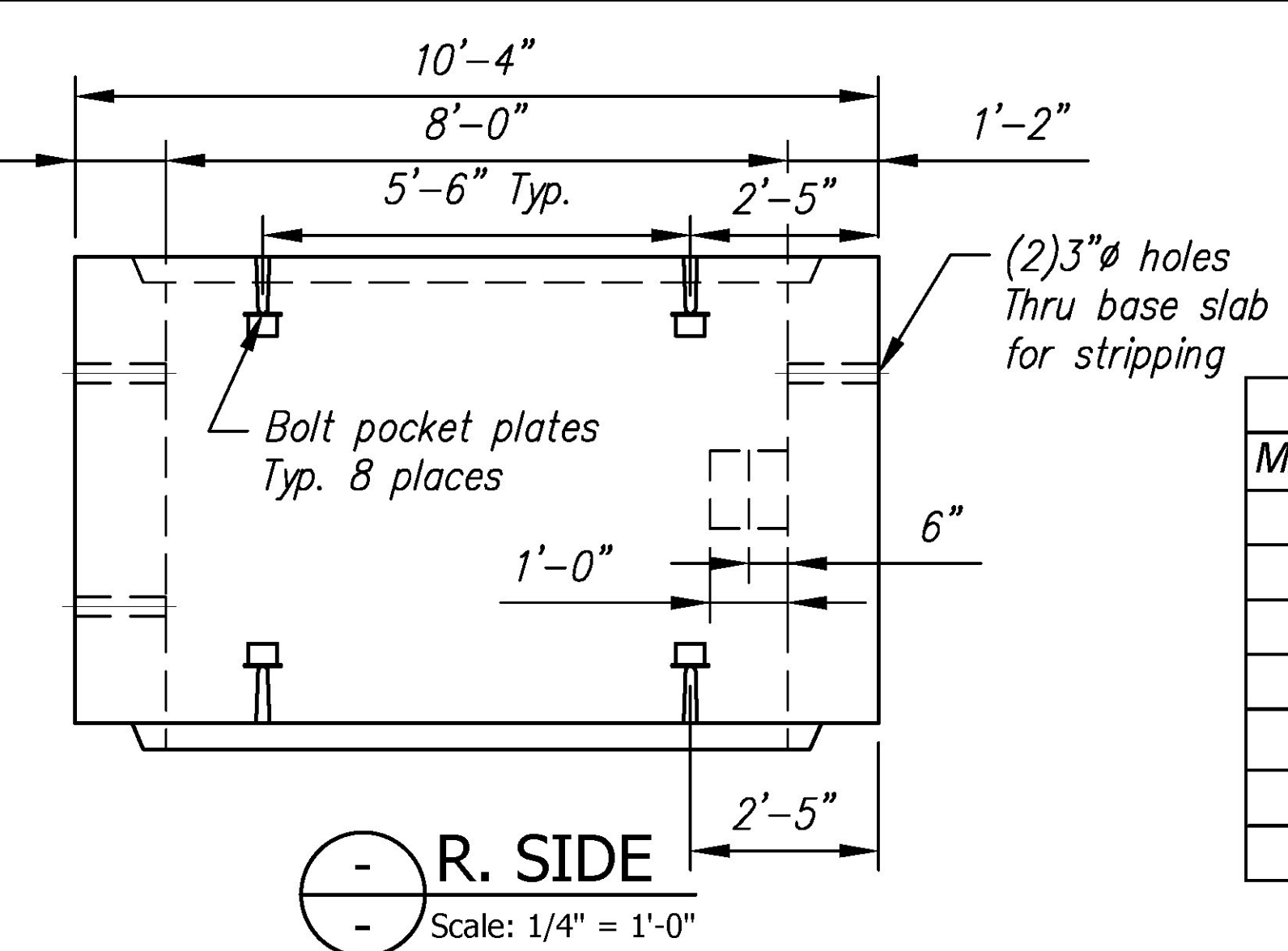
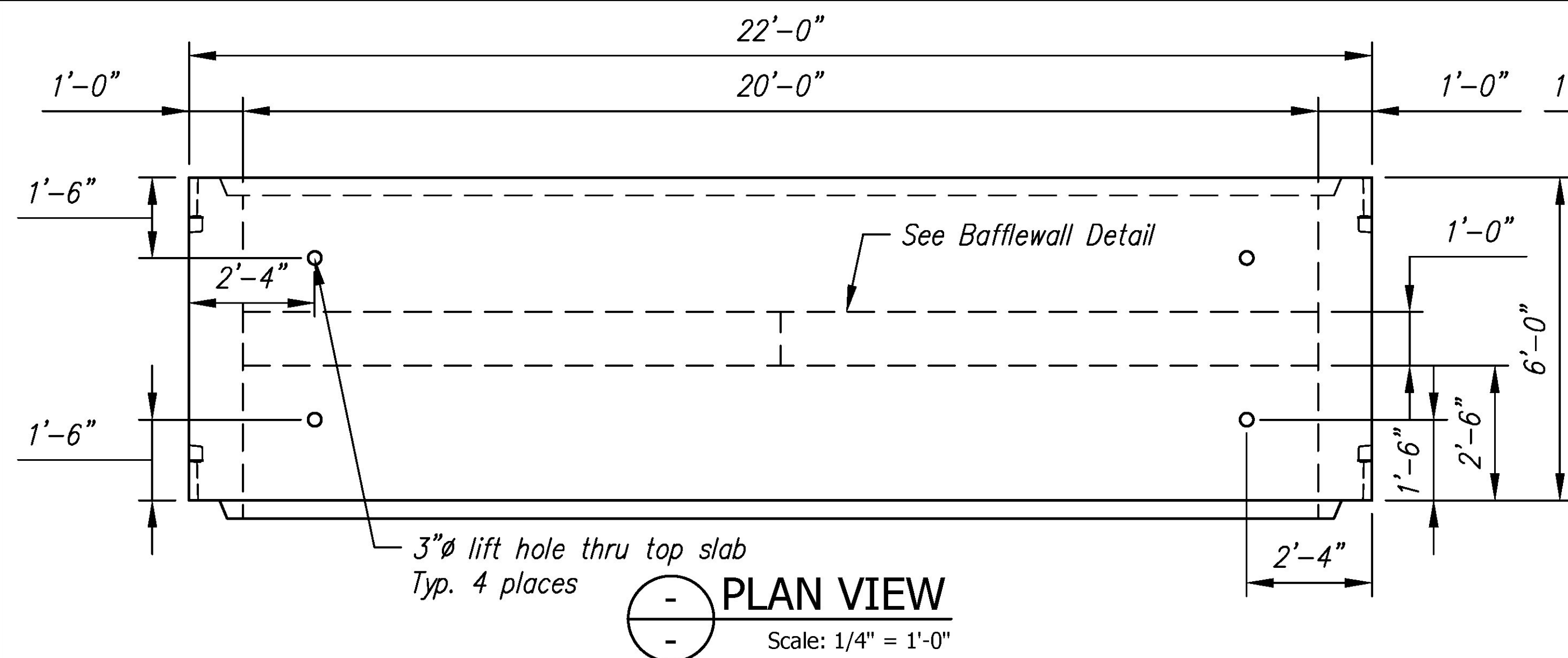
RECEIVED

ON: April 30, 2015

and Checked for

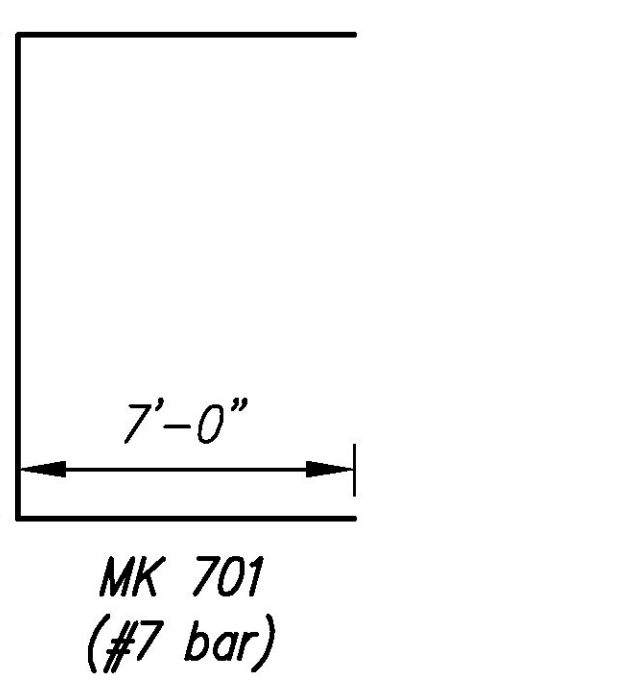
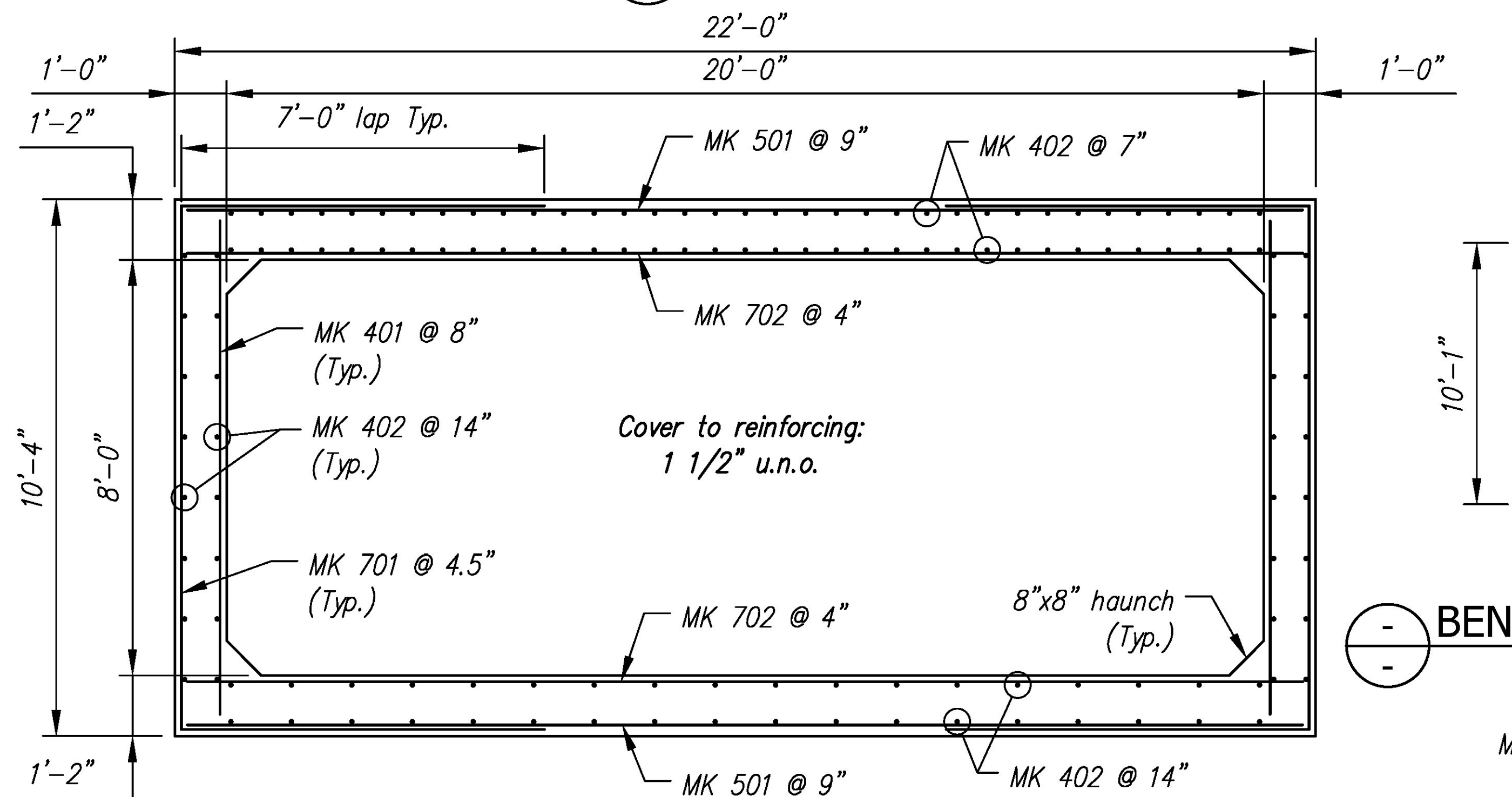
CONFORMANCE

BY: Mark Sargent DATE: 5/7/2015



A2 Rebar Schedule			
MK	QTY	LENGTH	
401 #4	18	9' - 6"	
402 #4	138	5' - 9"	
501 #5	16	21' - 6"	
701 #7	34	24' - 1"	
702 #7	36	21' - 6"	

A2 BW Rebar Schedule			
MK	QTY	LENGTH	
403 #4	2	19' - 8"	

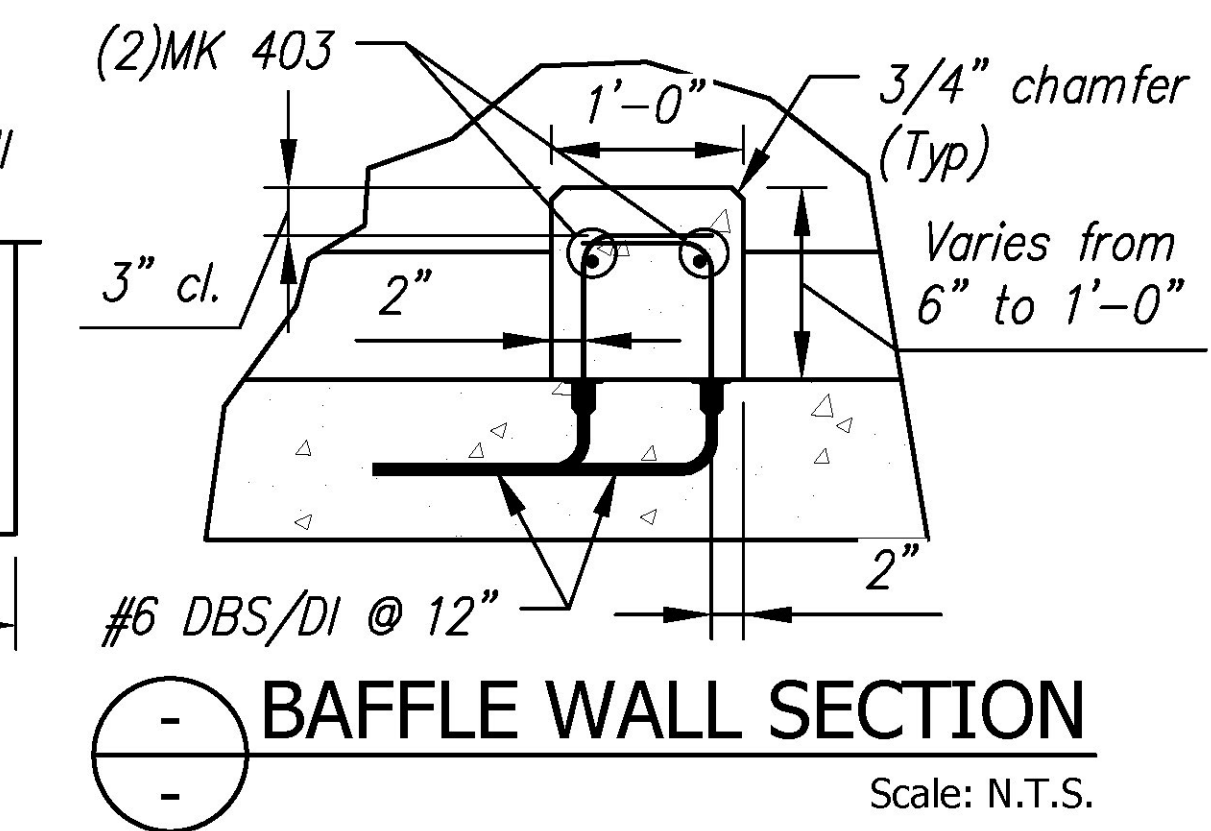
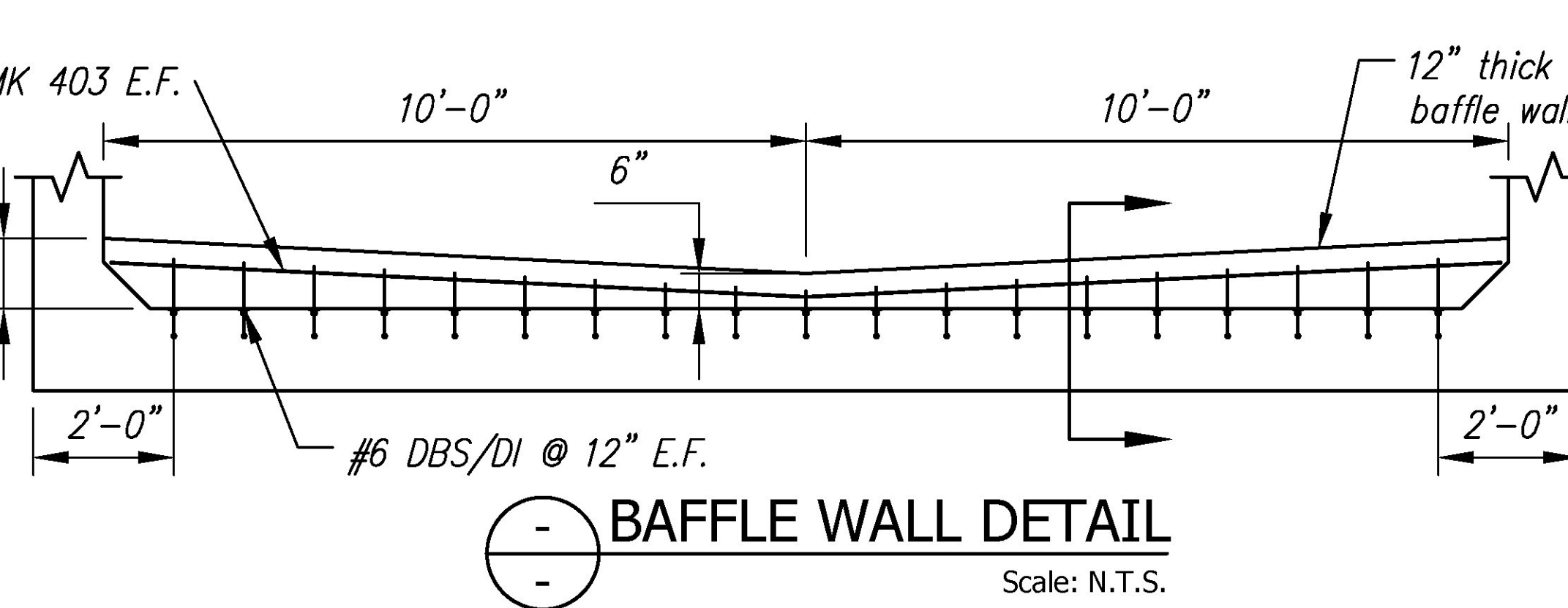
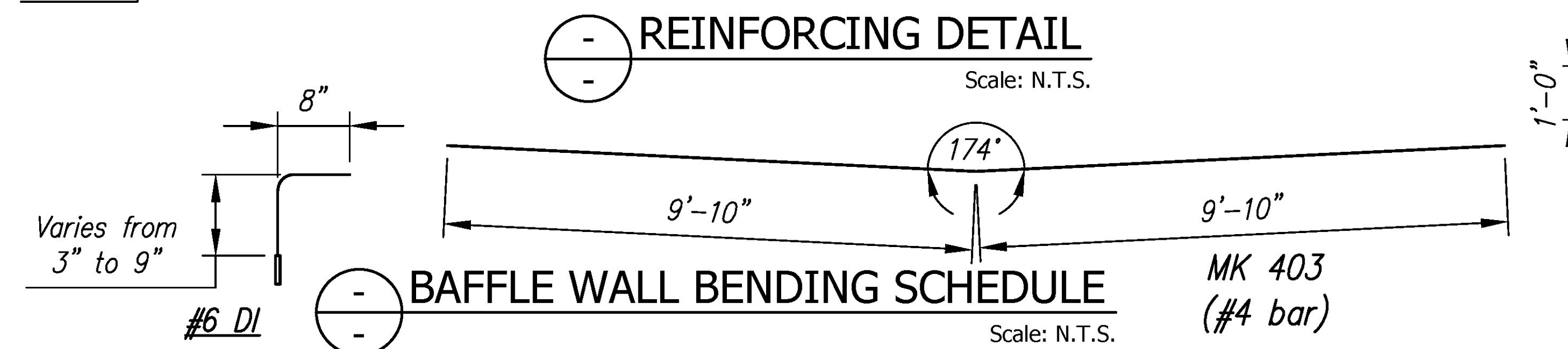


CSI ID#	REVIEWED	REVIEWED AS MODIFIED	REVISION AND RESUBMIT	NOT REVIEWED
EM-00014	X			
EM-00033				
EM-00125				
JS-00002				
RM-00013				
RM-00015				
RM-00009				
MX-FA5000SC				
EM-00022				
RM-00013				
MX-FA5000SC				

Date: 4/24/2015
By: Nathan Tirk

This review by Stantec Consulting Services Inc. is for the sole purpose of ascertaining conformance with the general design concept. This review shall not mean that Stantec Consulting Services Inc. approves the detail design inherent in the shop drawings, responsibility for which shall remain with the Contractor. Submitting same, and such review shall not relieve the Contractor of his responsibility for errors or omissions in the shop drawing or of his responsibility for meeting all requirements of the Contract Documents. The contractor is responsible for dimensions to be confirmed and correlated at the job site, for information that pertains solely to the fabrication processes or to techniques of construction and installation and for coordination of the work of all subtrades.

QTY	UM	COMMENTS
38	EA	DOWEL BAR SPLICER
7	FT	
8	EA	
62	FT	AROUND BELL
644	LB	
359	LB	
3256	LB	
15.19	CY	
EMBEDS		
38	EA	DOWEL IN
26	LB	
0.51	CY	



Rev.	Date	DESCRIPTION	By
5			
4			
3			
2			
1			
REVISIONS			

<p>Concrete Systems Inc. 9 Commercial St., Hudson, NH, 03051 Phone 603-889-4163 Fax 603-889-2417</p>	<p>STATE AGENCY</p>	<p>J A MCDONALD, INC. VT/AOT BRIDGE - STEEL CULVERT REPLACEMENT BRIDGE #6, VT ROUTE 58, IRASBURG, VT</p>	
	<p>Drawn By R. YEAGER</p> <p>Concrete Cu. Yd. 15.70</p> <p>Approved By</p>	<p>Date 12MAR2015</p> <p>Weight in Tons 31.79</p> <p>Date</p>	<p>B</p> <p>Drawing No. C22283-L01-A2</p>
<p>Quantity: 9</p>		<p>Project No: STPCULV30</p>	<p>SHEET 2 OF 13</p>