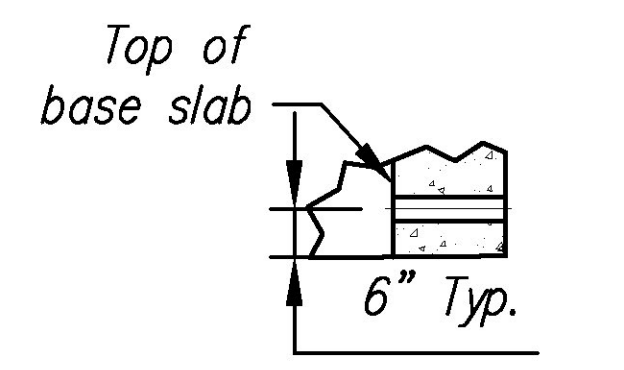
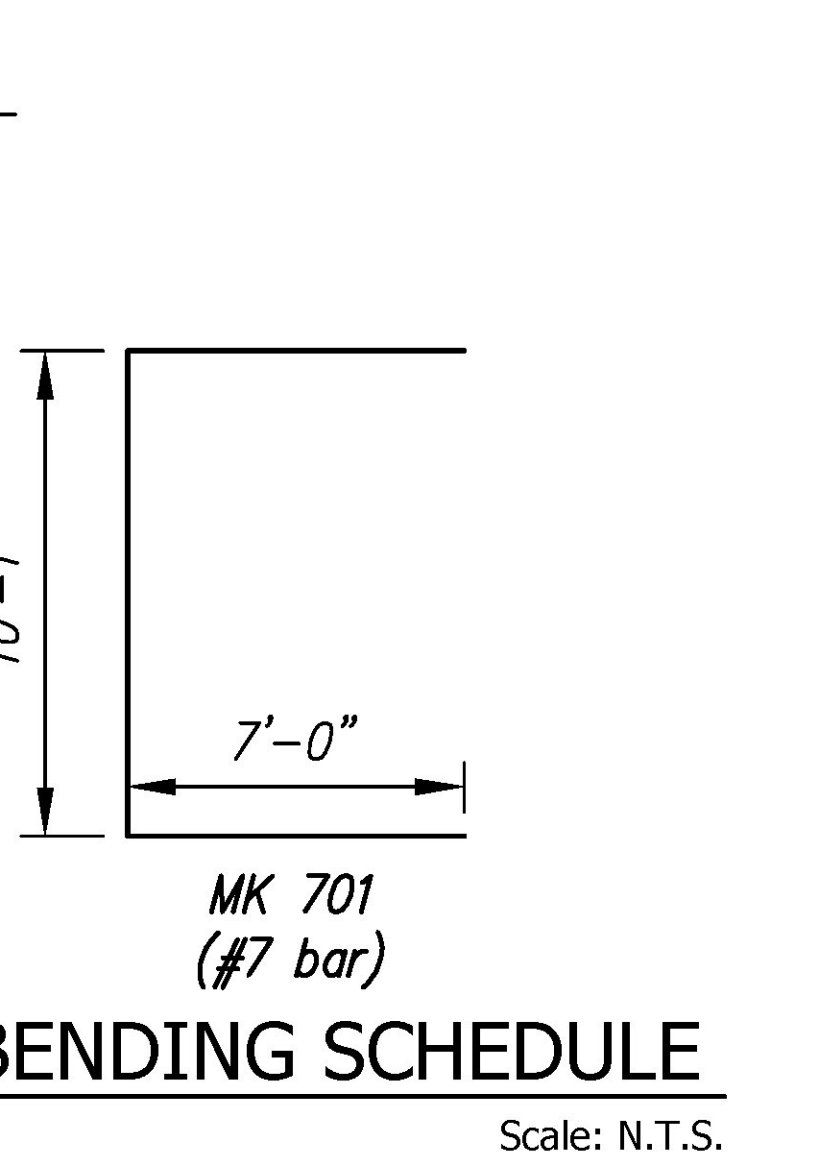
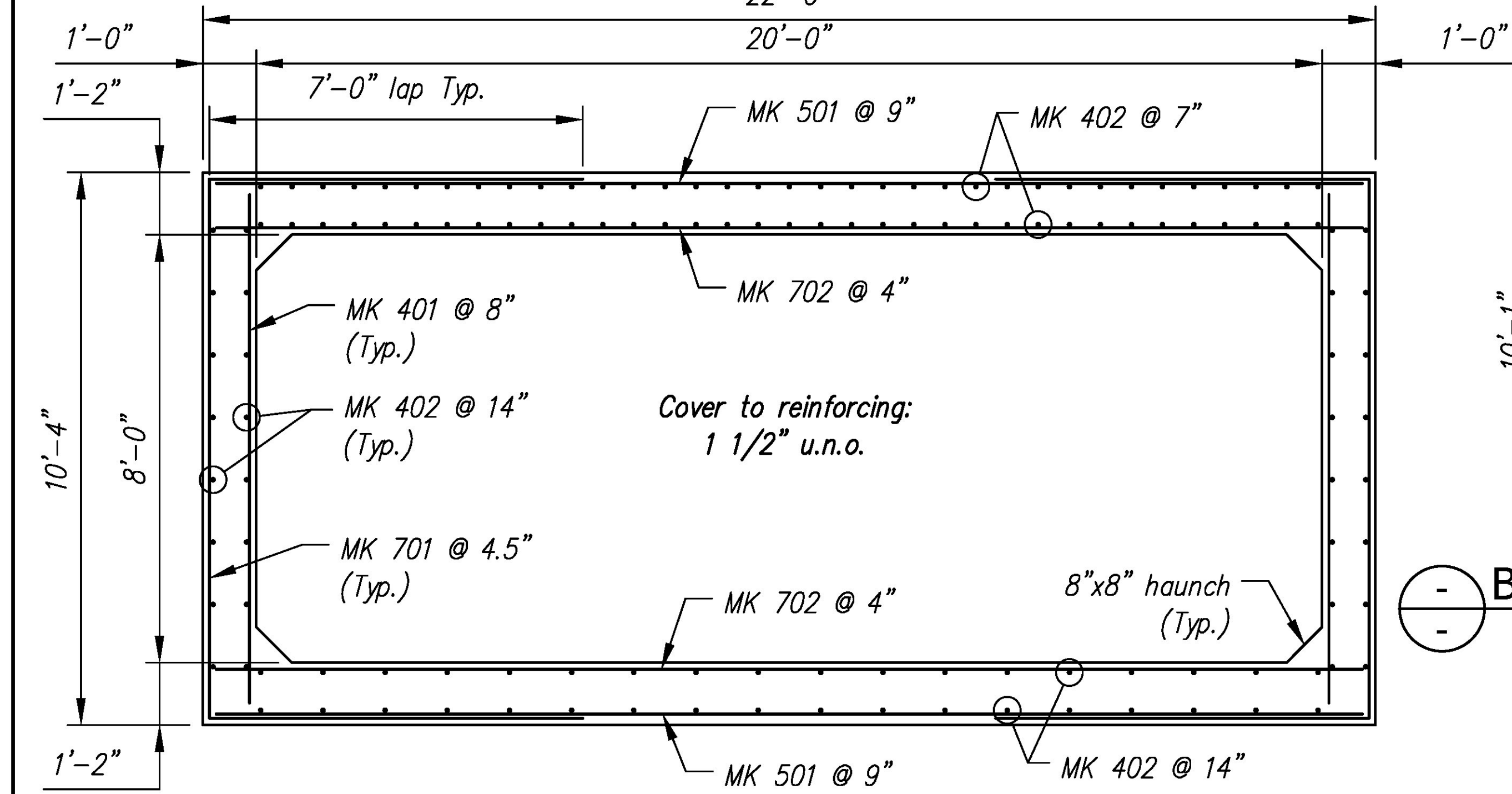


Vermont Agency of Transportation
RECEIVED
ON: April 30, 2015
and Checked for
CONFORMANCE
BY: Mark Sargent DATE: 5/7/2015

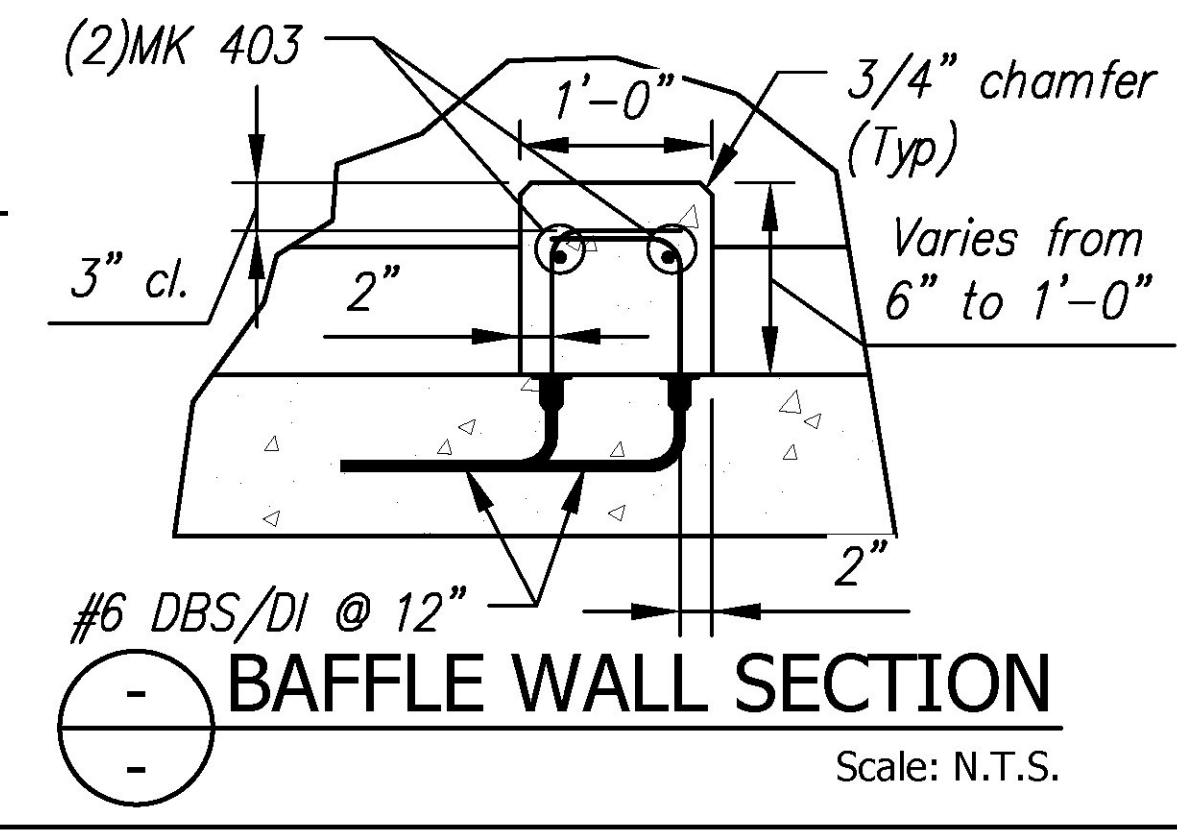
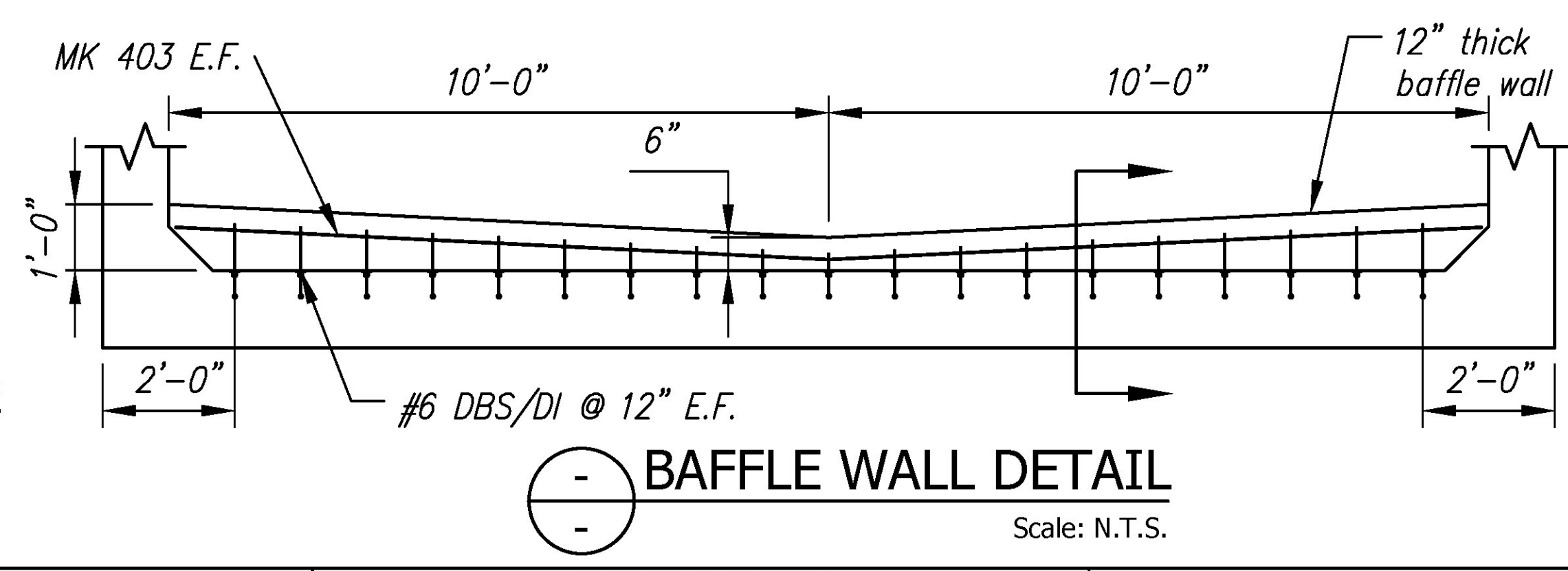
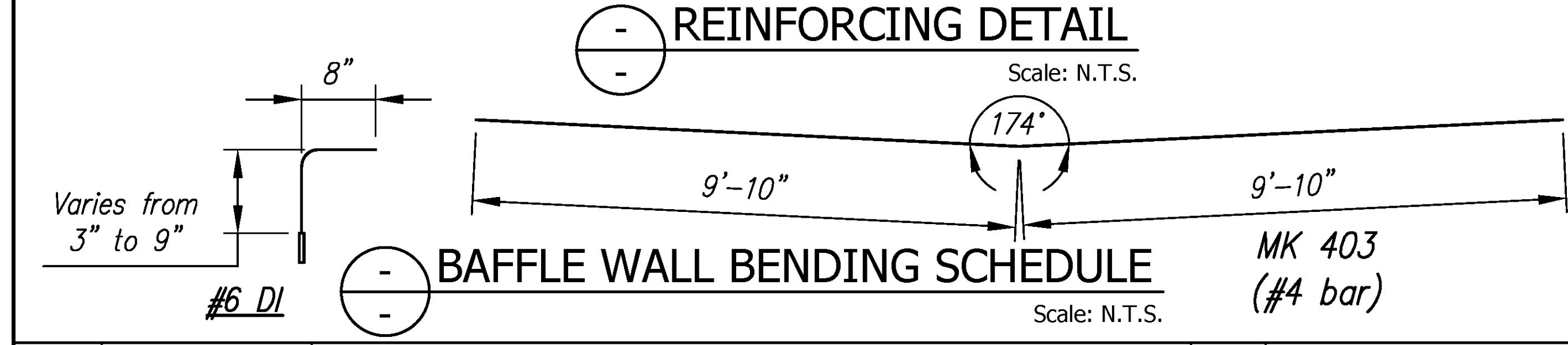
A1 Rebar Schedule			
MK	QTY	LENGTH	
401 #4	18	9' - 6"	
402 #4	138	5' - 9"	
501 #5	16	21' - 6"	
701 #7	34	24' - 1"	
702 #7	36	21' - 6"	



A1 BW Rebar Schedule			
MK	QTY	LENGTH	
403 #4	2	19' - 8"	



A1 - BILL OF MATERIALS / EMBEDS				
CSI ID#	DESCRIPTION	QTY	UM	COMMENTS
CT-00005	REVIEWED	X	0.34	GA
EM-0005A	REVIEWED AS MODIFIED		4	EA
EM-00014	REVISE AND RESUBMIT		38	EA DOWEL BAR SPLICER
EM-00026	NOT REVIEWED		5	EA
EM-00033	Date: 4/24/2015		18.67	FT
EM-00125	By: Nathan Tirk		4	EA
RM-00013	This review by Stantec Consulting Services Inc. is for the sole purpose of ascertaining conformance with the general design concept. This review shall not mean that Stantec Consulting Services Inc. approves the detail design in heretofore in the shop drawings, responsibility for which shall remain with the Contractor. Submitting same, and such review shall not relieve the Contractor of his responsibility for errors or omissions in the shop drawing or of his responsibility for meeting all requirements of the Contract Documents. The contractor is responsible for dimensions to be confirmed and correlated at the job site, for information that pertains solely to the fabrication processor or to techniques of construction and installation and for coordination of the work of all subtrades.		644	LB
RM-00015			359	LB
RM-00009			3256	LB
MX-FA5000SC			15.37	CY
EM-00022			38	EA DOWEL IN
RM-00013		26	LB	
MX-FA5000SC30	MIX DESIGN - FLY ASH 5000 SELF CONSOLIDATING	0.51	CY	



Rev.	Date	DESCRIPTION	By
5			
4			
3			
2			
1			
REVISIONS			

<p>Concrete Systems Inc. 9 Commercial St., Hudson, NH, 03051 Phone 603-889-4163 Fax 603-889-2417</p>	<p>STATE AGENCY</p> <p>Vermont Agency of Transportation</p>	<p>J A MCDONALD, INC. VT/AOT BRIDGE - STEEL CULVERT REPLACEMENT BRIDGE #6, VT ROUTE 58, IRASBURG, VT</p>
	<p>Drawn By: R. YEAGER Concrete Cu. Yd.: 16.08 Approved By:</p>	<p>Date: 12MAR2015 Weight in Tons: 32.56 Date:</p>
<p>Quantity: 1</p>		<p>Project No: STPCULV30</p>
<p>SHEET 1 OF 13</p>		