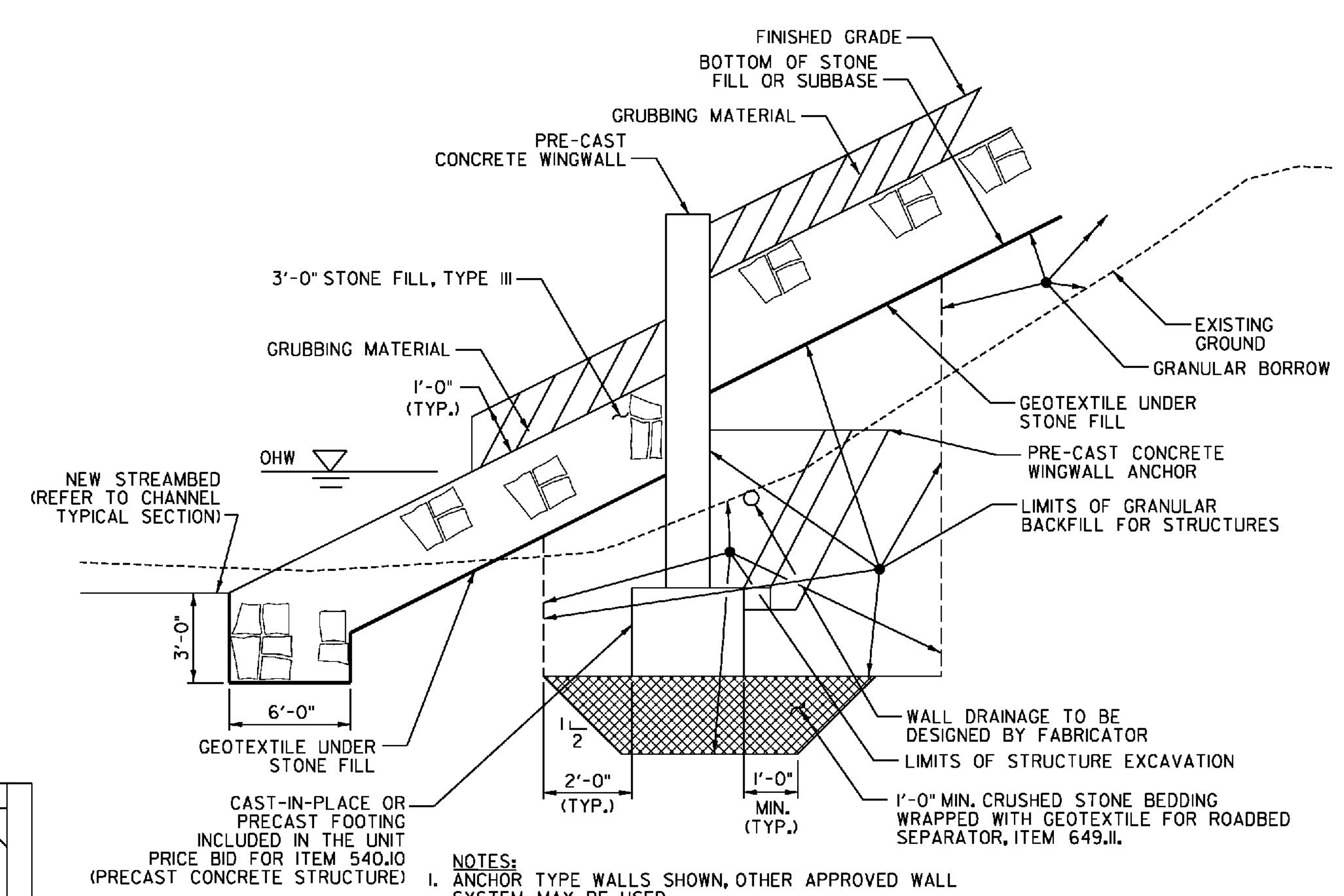
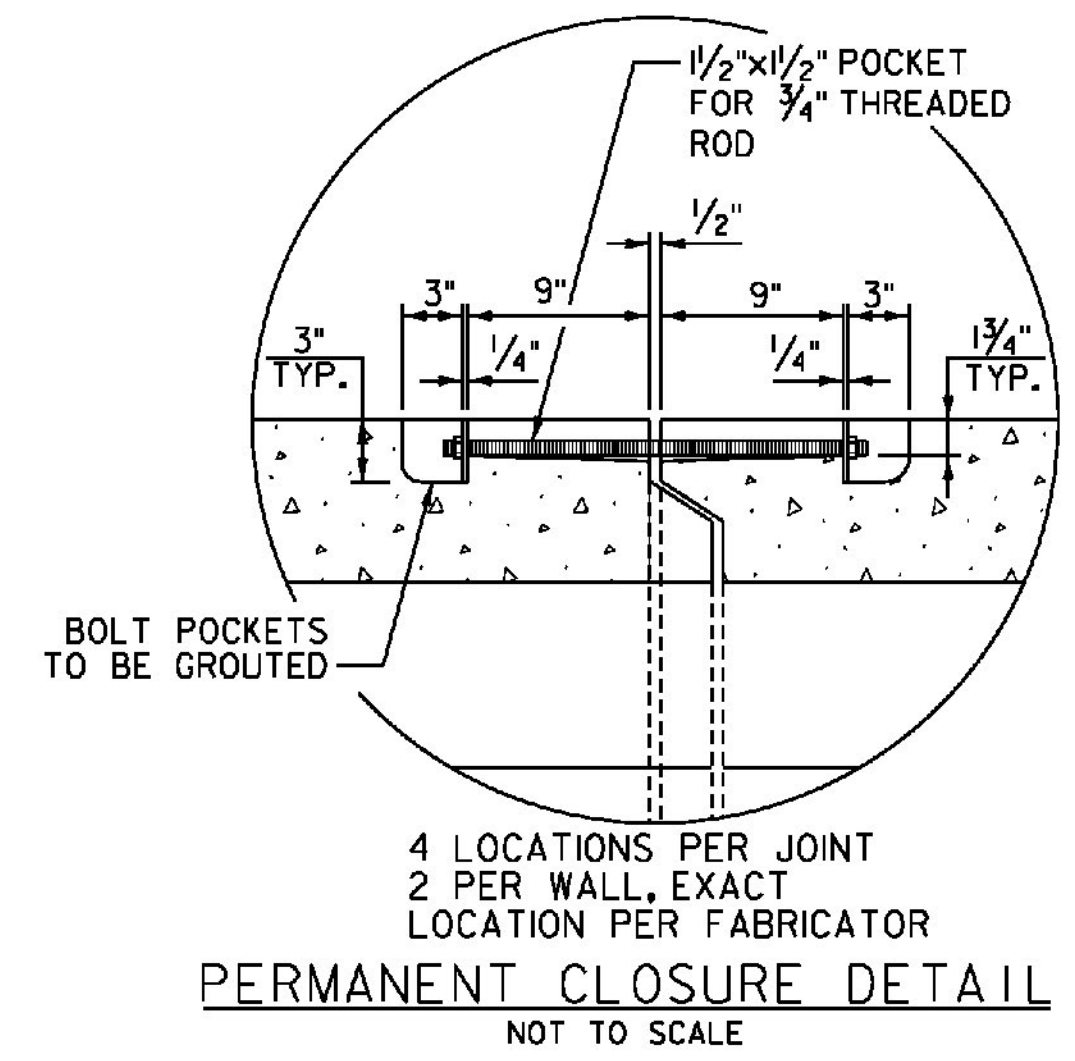
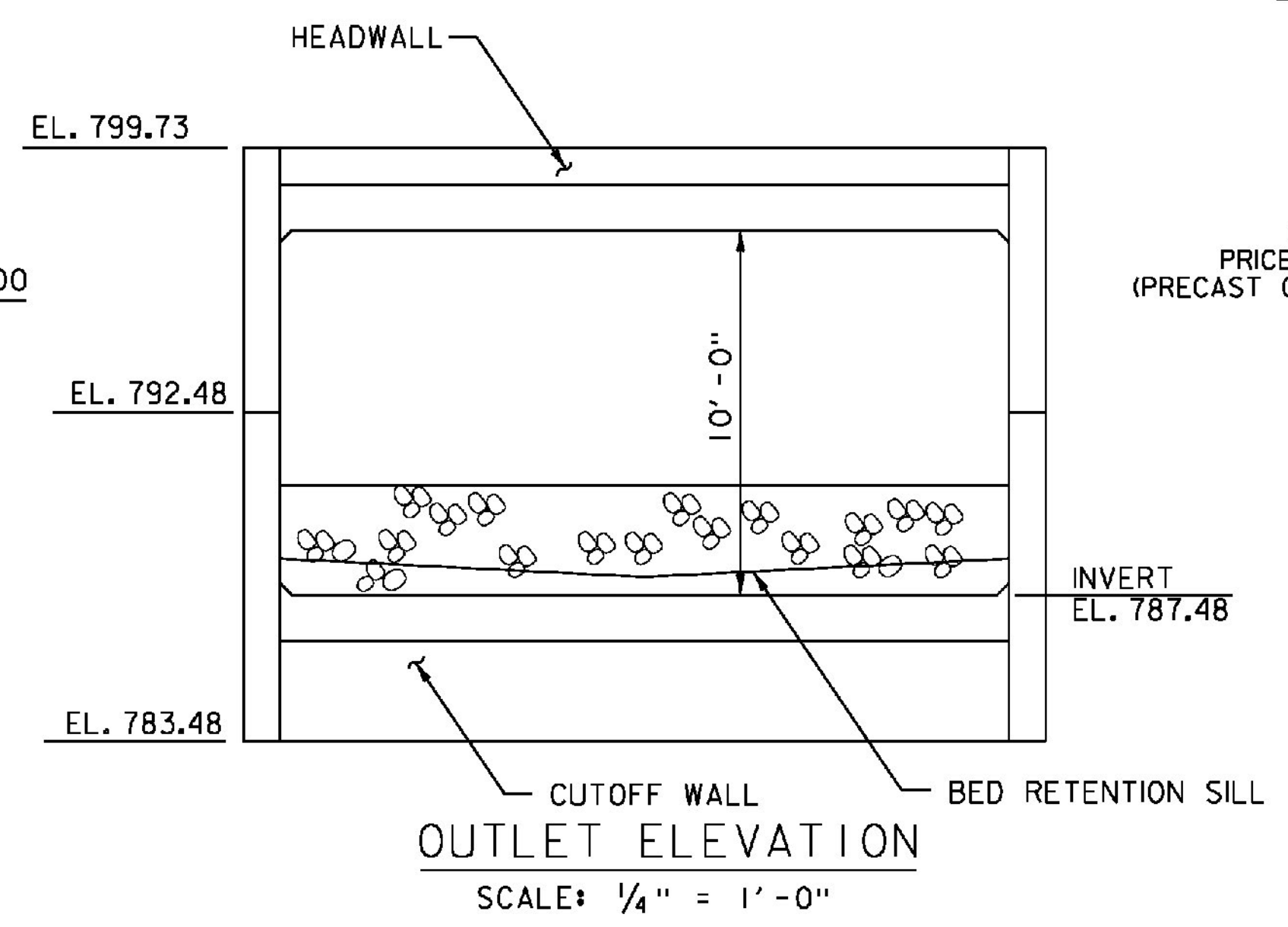
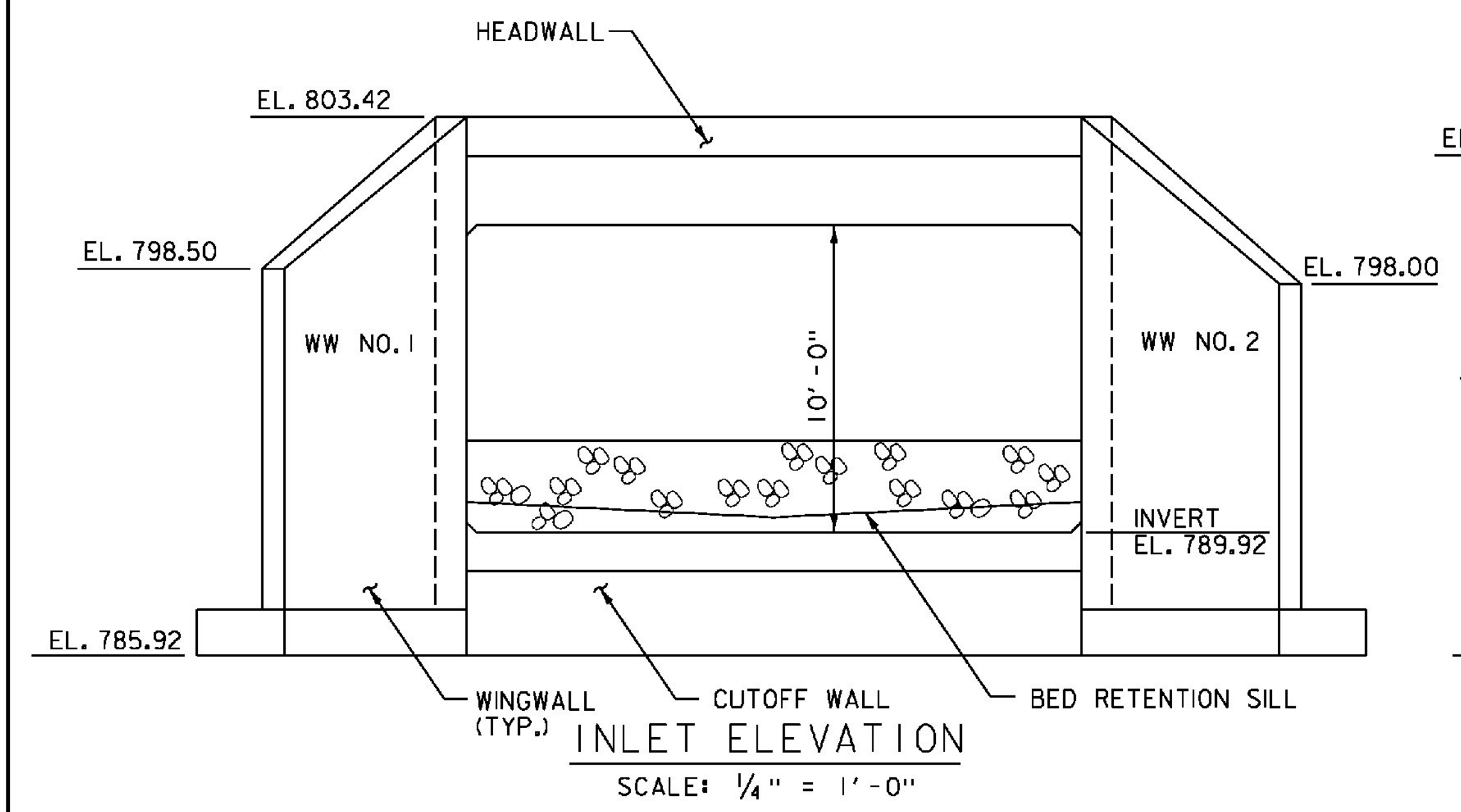


PRECAST CONCRETE STRUCTURE PLAN
SCALE: 1/4" = 1'-0"



WINGWALL EARTHWORK SECTION
NOT TO SCALE



- NOTES:
- ANCHOR TYPE WALLS SHOWN, OTHER APPROVED WALL SYSTEM MAY BE USED.
 - FOR PURPOSES OF ESTIMATING EARTHWORK QUANTITIES, THE LIMITS HAVE BEEN SHOWN ABOVE. ONLY THE EXCAVATION INCLUDED WITHIN THESE LIMITS SHALL BE PAID FOR UNDER ITEM 204.25, "STRUCTURE EXCAVATION". THE CONTRACTOR SHALL DETERMINE THE ACTUAL LIMITS OF STRUCTURE EXCAVATION, PER PRECAST WINGWALL DESIGN.

PROJECT NAME:	IRASBURG	FILE NAME:	zllc266strpl.br7.dgn	PLOT DATE:	10/21/2014
PROJECT NUMBER:	STP CULV(30)	PROJECT LEADER:	M. CHENETTE	DRAWN BY:	L. BUXTON
		DESIGNED BY:	J. HUNGERFORD	CHECKED BY:	M. CHENETTE
		STRUCTURAL PLAN AND DETAILS - BR7		SHEET	38 OF 55

