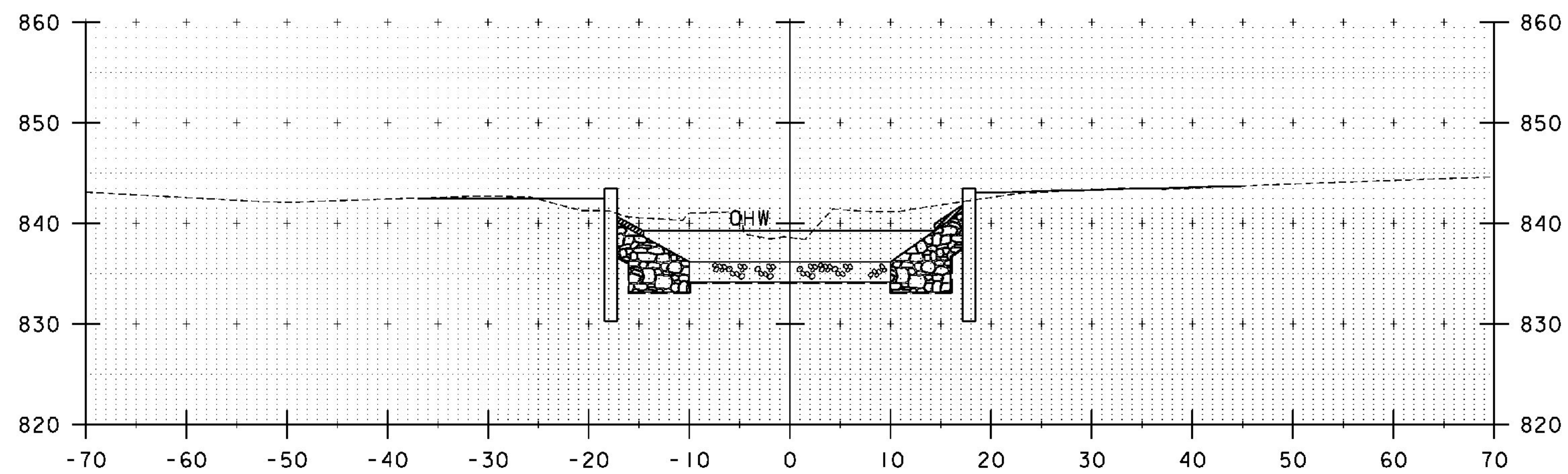


STA. 11+60 LT  
 END UNCLASSIFIED CHANNEL EXCAVATION  
 GEOTEXTILE UNDER STONE FILL  
 STONE FILL, TYPE III  
 GRUBBING MATERIAL  
 END SPECIAL PROVISION  
 (STONE FILL, CULVERT LINING)

11+60

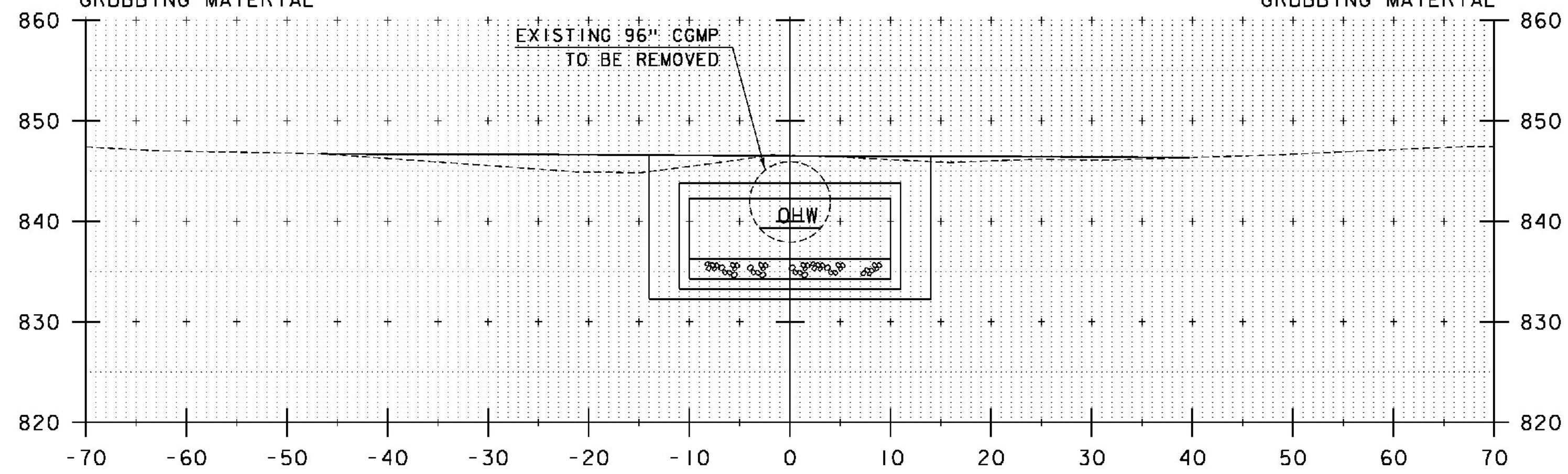
STA. 11+60 RT  
 END SPECIAL PROVISION  
 (STONE FILL, CULVERT LINING)



STA. 11+41.83 LT  
 RESUME UNCLASSIFIED CHANNEL EXCAVATION  
 GEOTEXTILE UNDER STONE FILL  
 STONE FILL, TYPE III  
 GRUBBING MATERIAL

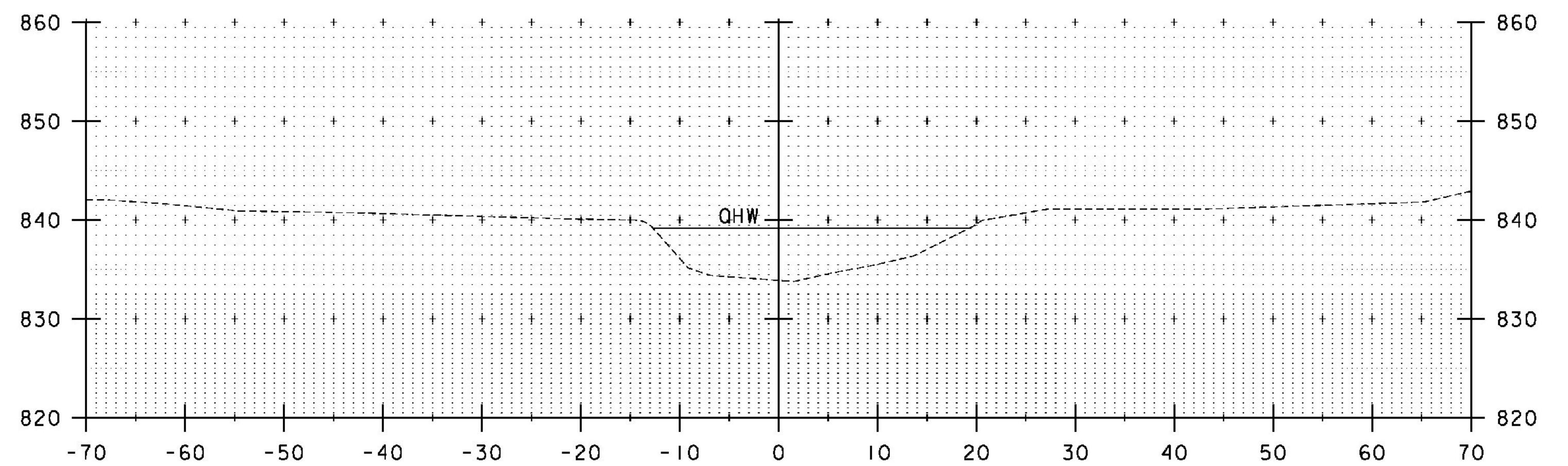
11+50

STA. 11+41.83 RT  
 RESUME UNCLASSIFIED CHANNEL EXCAVATION  
 GEOTEXTILE UNDER STONE FILL  
 STONE FILL, TYPE III  
 GRUBBING MATERIAL



EXISTING 96" CGMP  
 TO BE REMOVED

11+40



STA. 11+62 RT  
 END UNCLASSIFIED CHANNEL EXCAVATION  
 GEOTEXTILE UNDER STONE FILL  
 STONE FILL, TYPE III  
 GRUBBING MATERIAL

11+70

STA. 11+40 TO STA. 11+70

PROJECT NAME: IRASBURG  
 PROJECT NUMBER: STP CULV(30)

FILE NAME: zllc266xs.dgn  
 PROJECT LEADER: M. CHENETTE  
 DESIGNED BY: J. HUNGERFORD  
 CHANNEL CROSS SECTIONS - CXS3 - BR6

PLOT DATE: 9/26/2014  
 DRAWN BY: L. BUXTON  
 CHECKED BY: M. CHENETTE  
 SHEET 26 OF 55

