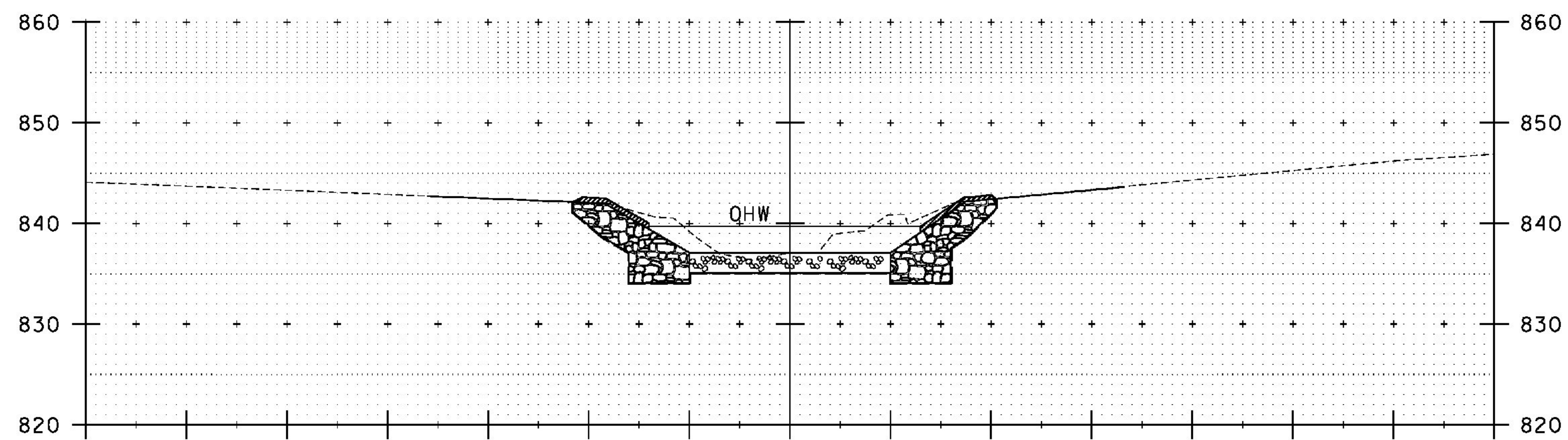


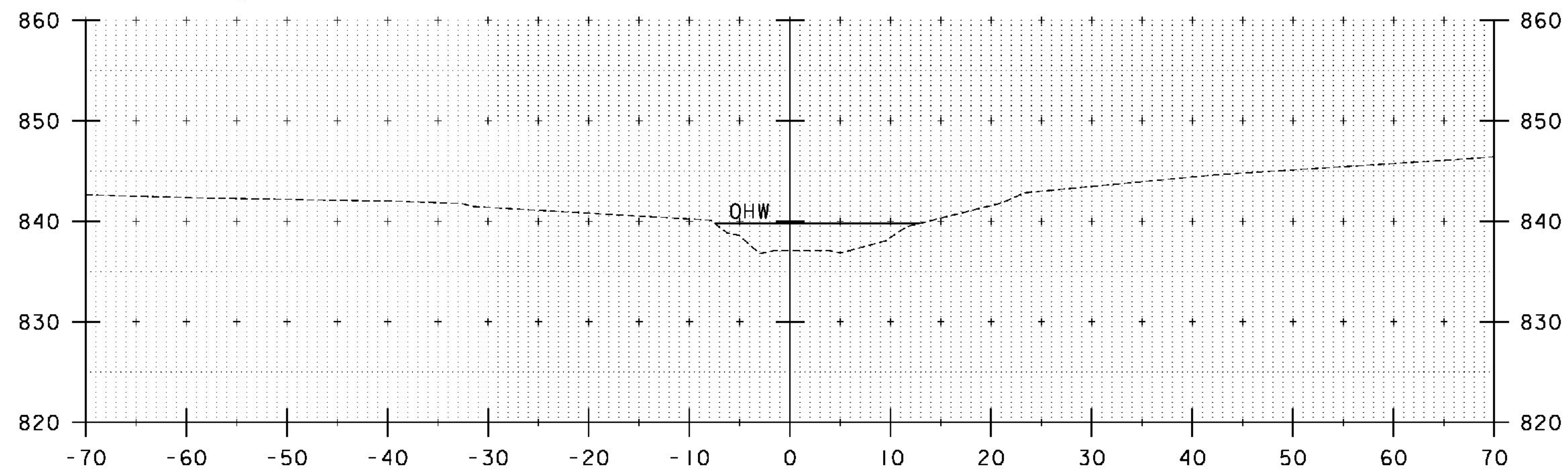
10+70



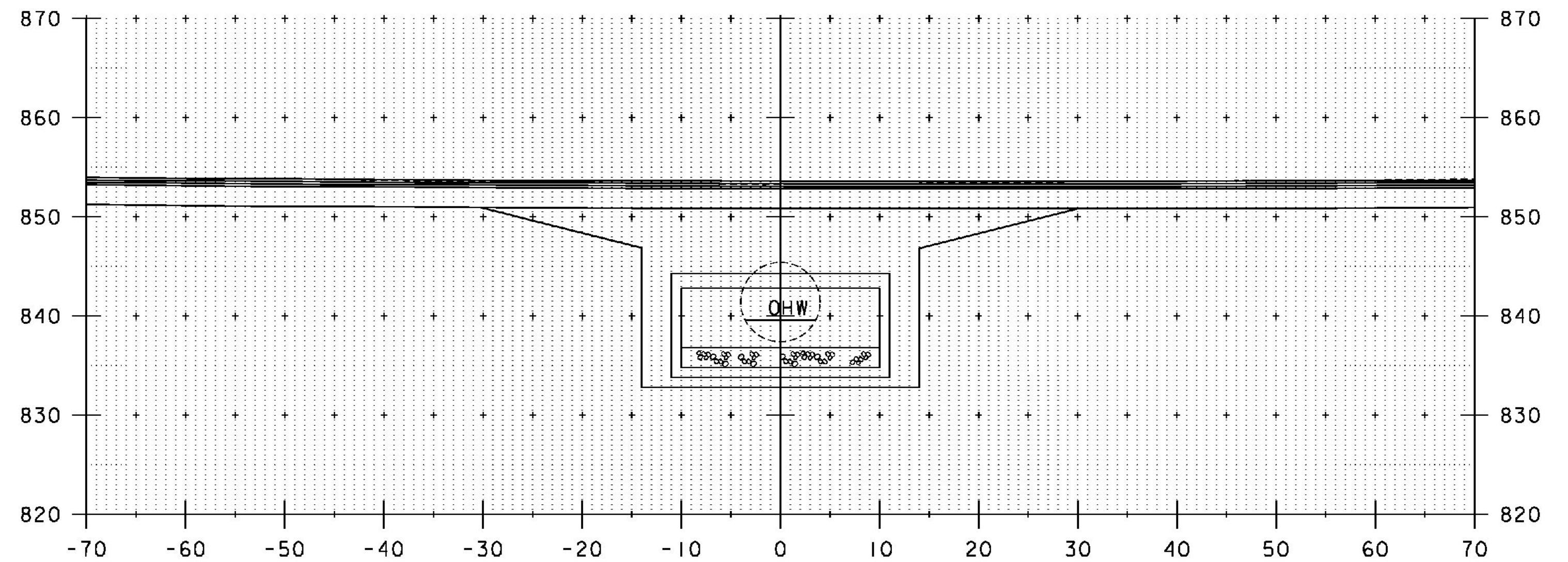
10+60

STA. 10+56.50 LT
 BEGIN UNCLASSIFIED CHANNEL EXCAVATION
 GEOTEXTILE UNDER STONE FILL
 STONE FILL, TYPE III
 GRUBBING MATERIAL
 STA. 10+58 LT
 BEGIN SPECIAL PROVISION
 (STONE FILL, CULVERT LINING)

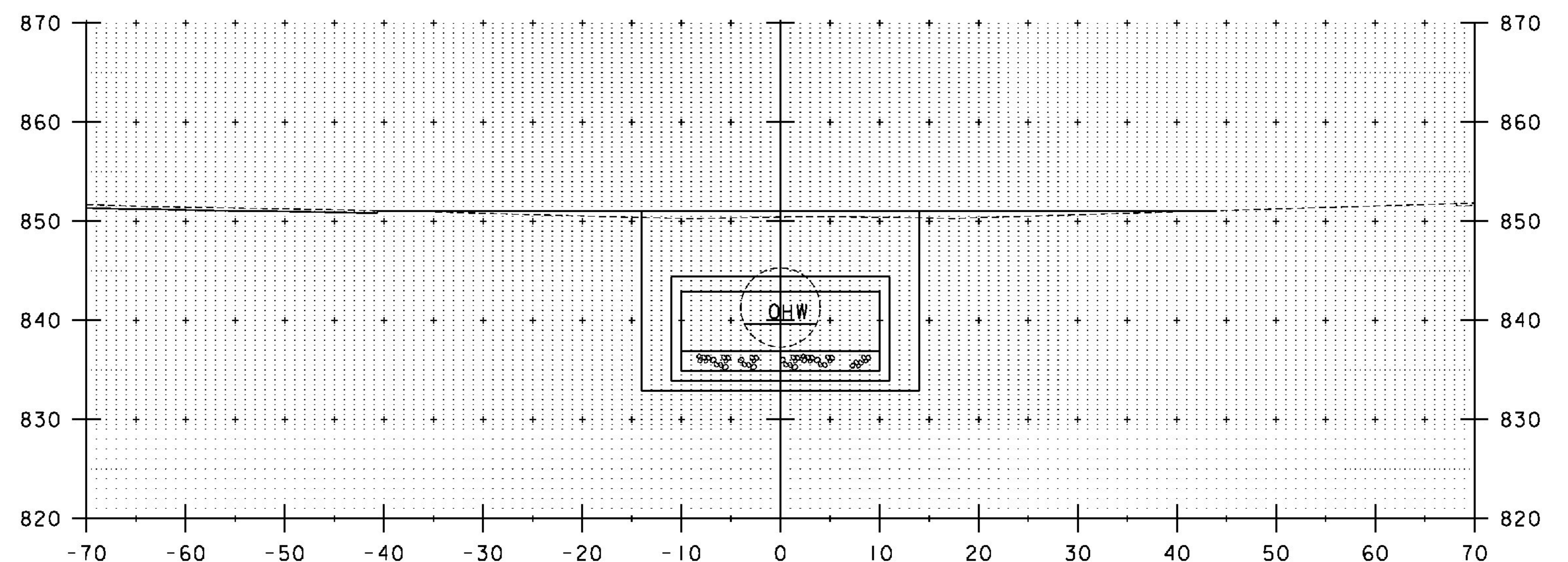
STA. 10+58 RT
 BEGIN UNCLASSIFIED CHANNEL EXCAVATION
 GEOTEXTILE UNDER STONE FILL
 STONE FILL, TYPE III
 GRUBBING MATERIAL
 BEGIN SPECIAL PROVISION
 (STONE FILL, CULVERT LINING)



10+50



10+90



10+80

STA. 10+75.33 LT
 STOP UNCLASSIFIED CHANNEL EXCAVATION
 GEOTEXTILE UNDER STONE FILL
 STONE FILL, TYPE III
 GRUBBING MATERIAL

STA. 10+75.33 RT
 STOP UNCLASSIFIED CHANNEL EXCAVATION
 GEOTEXTILE UNDER STONE FILL
 STONE FILL, TYPE III
 GRUBBING MATERIAL

STA. 10+50 TO STA. 10+90

PROJECT NAME: IRASBURG
 PROJECT NUMBER: STP CULV(30)

FILE NAME: z11c266xs.dgn
 PROJECT LEADER: M. CHENETTE
 DESIGNED BY: J. HUNGERFORD
 CHANNEL CROSS SECTIONS - CXSI - BR6

PLOT DATE: 9/26/2014
 DRAWN BY: L. BUXTON
 CHECKED BY: M. CHENETTE
 SHEET 24 OF 55

