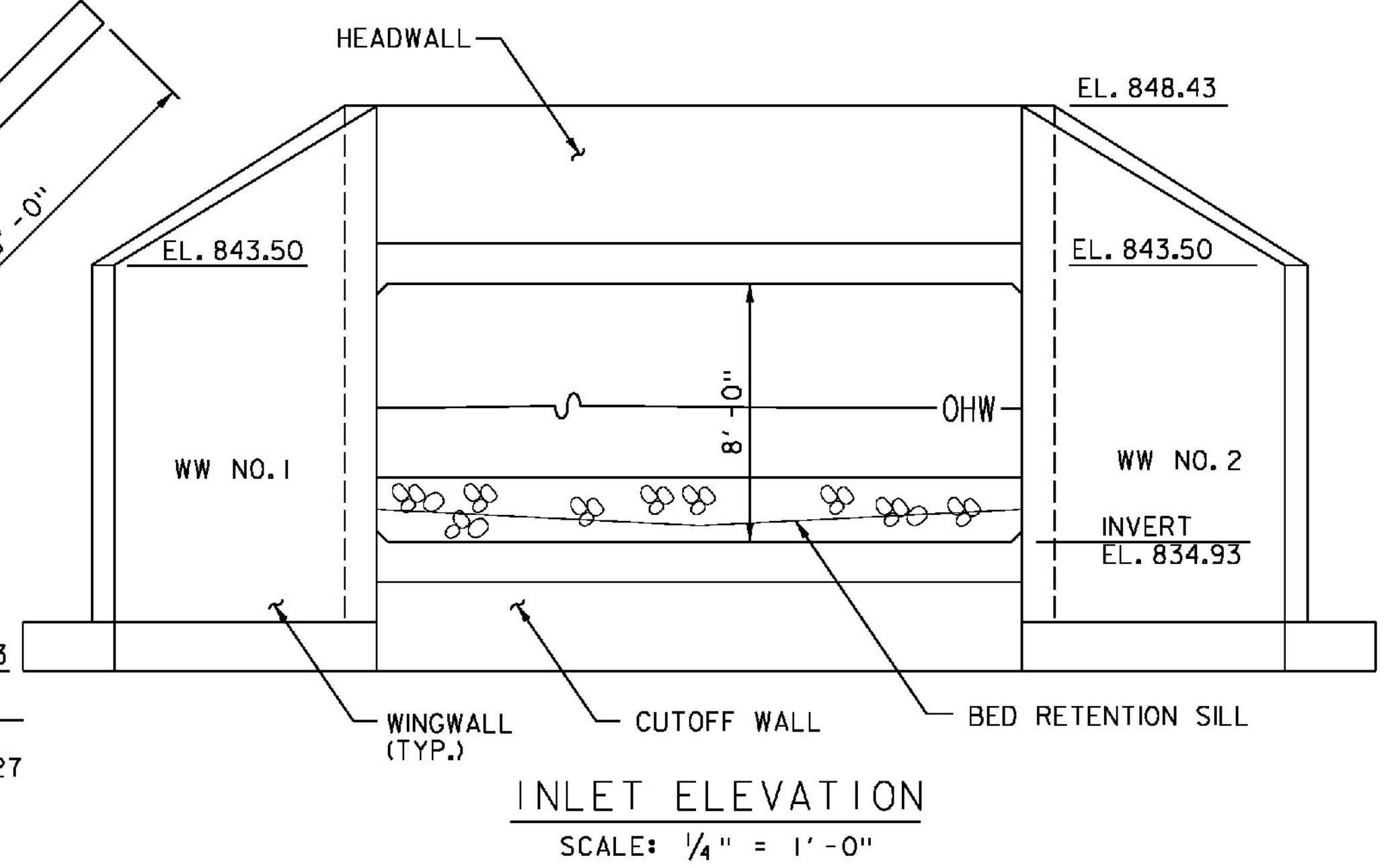
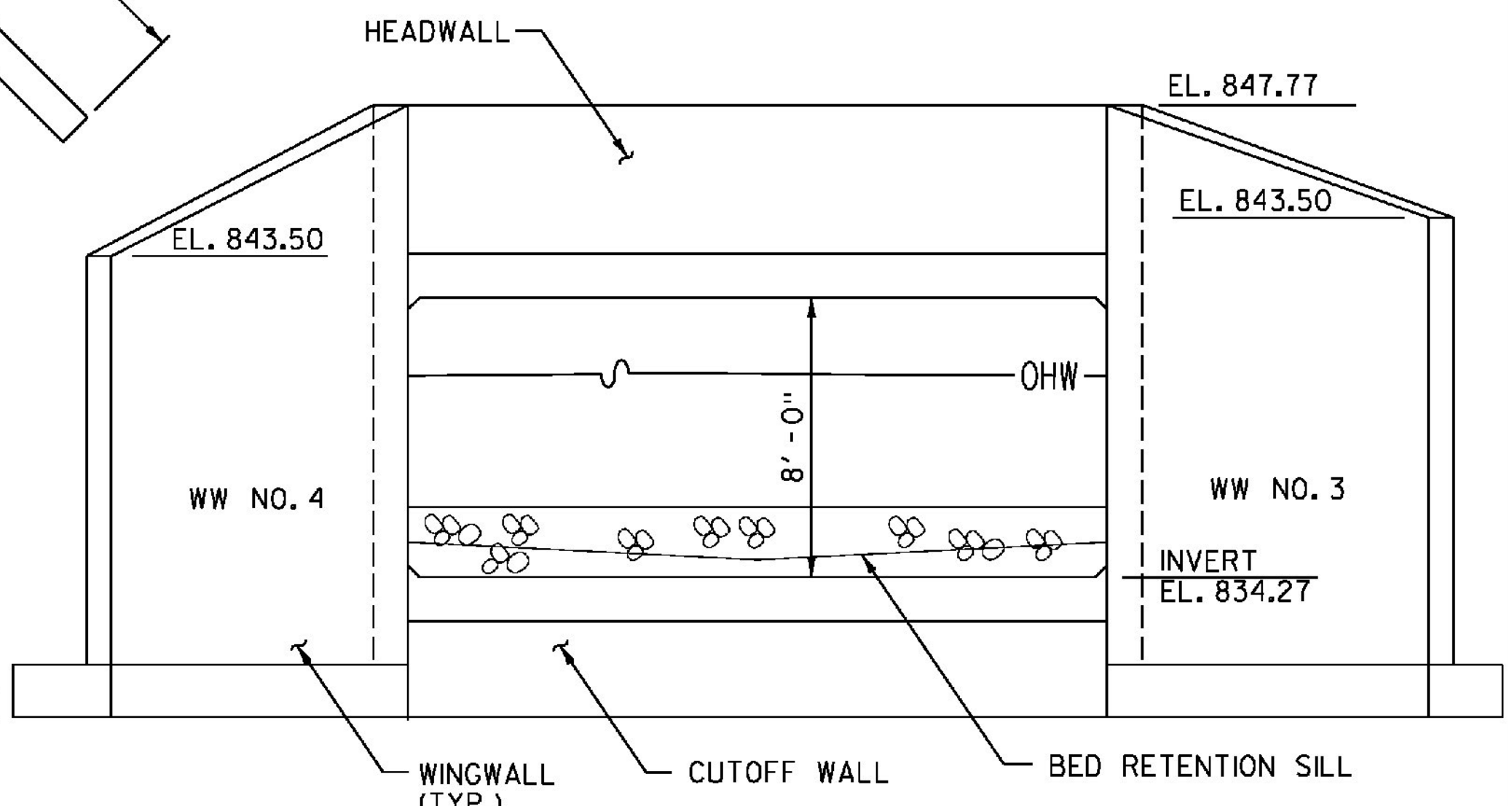


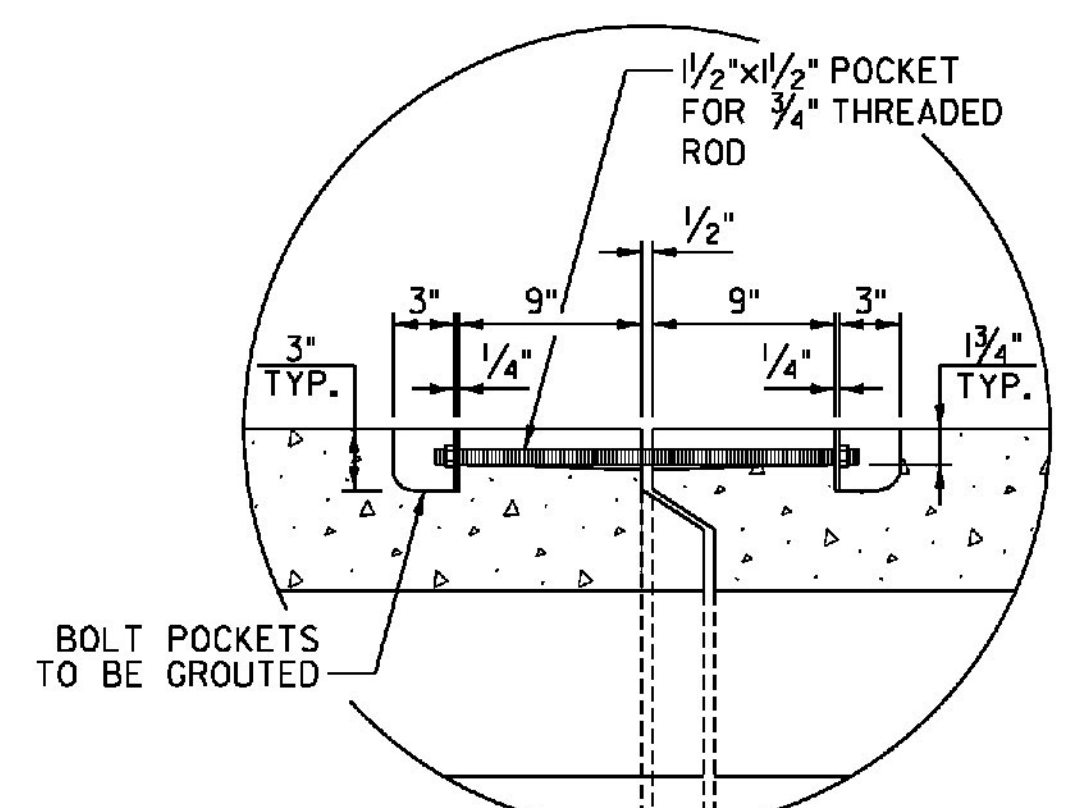
PRECAST CONCRETE STRUCTURE PLAN
SCALE: 1/4" = 1'-0"



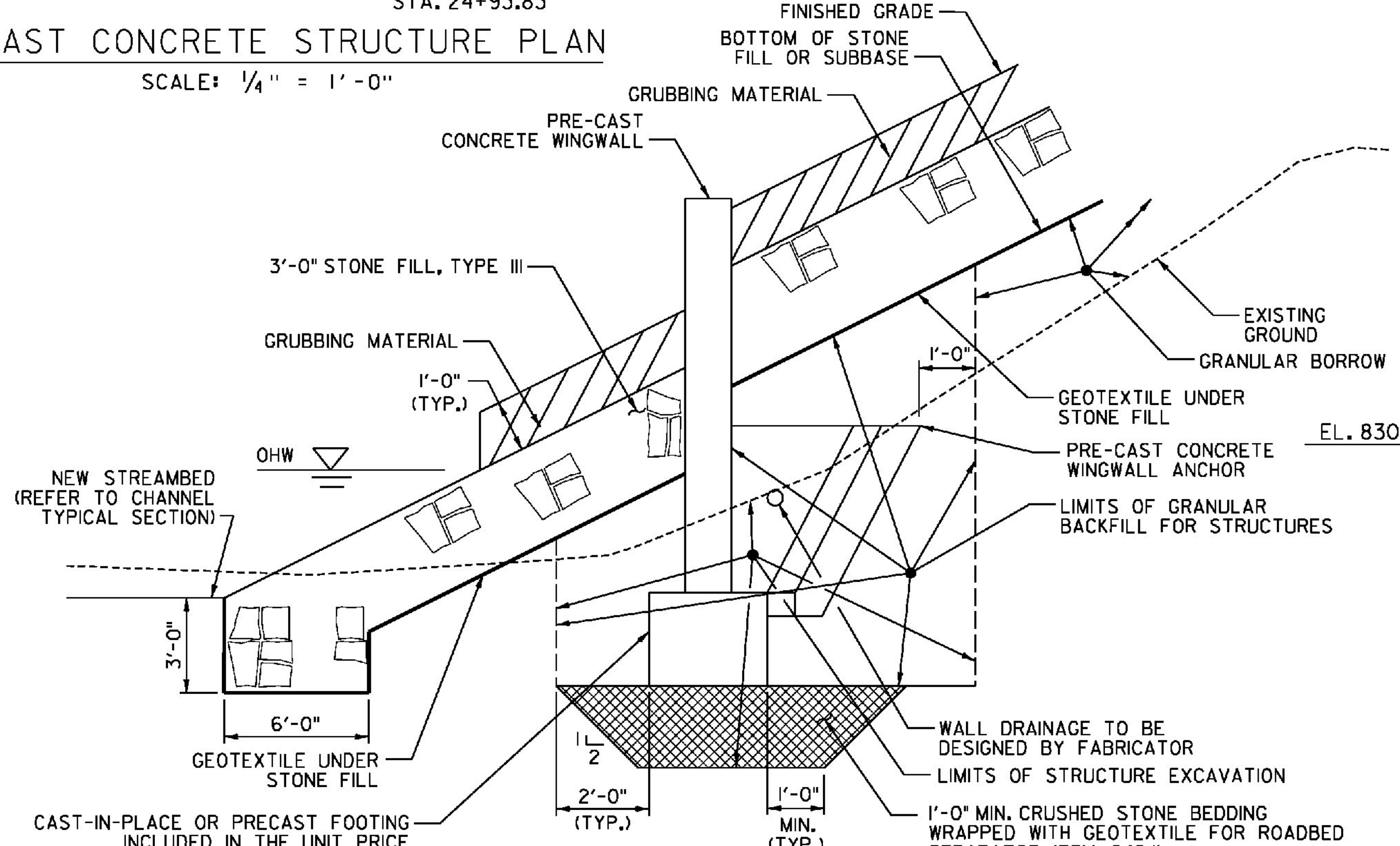
INLET ELEVATION
SCALE: 1/4" = 1'-0"



OUTLET ELEVATION
SCALE: 1/4" = 1'-0"



PERMANENT CLOSURE DETAIL
NOT TO SCALE



- NOTES:**
- ANCHOR TYPE WALLS SHOWN, OTHER APPROVED WALL SYSTEM MAY BE USED.
 - FOR PURPOSES OF ESTIMATING EARTHWORK QUANTITIES, THE LIMITS HAVE BEEN ASSUMED AS SHOWN ABOVE. ONLY THE EXCAVATION INCLUDED WITHIN THESE LIMITS SHALL BE PAID FOR UNDER ITEM 204.25, "STRUCTURE EXCAVATION". THE CONTRACTOR SHALL DETERMINE THE ACTUAL LIMITS OF STRUCTURE EXCAVATION, PER PRECAST WINGWALL DESIGN.

WINGWALL EARTHWORK SECTION
NOT TO SCALE

PROJECT NAME: IRASBURG	FILE NAME: zllc266strpl.br6.dgn	PLOT DATE: 10/21/2014
PROJECT NUMBER: STP CULV(30)	PROJECT LEADER: M. CHENETTE	DRAWN BY: L. BUXTON
	DESIGNED BY: J. HUNGERFORD	CHECKED BY: M. CHENETTE
	STRUCTURAL PLAN AND DETAILS - BR6	SHEET 17 OF 55

