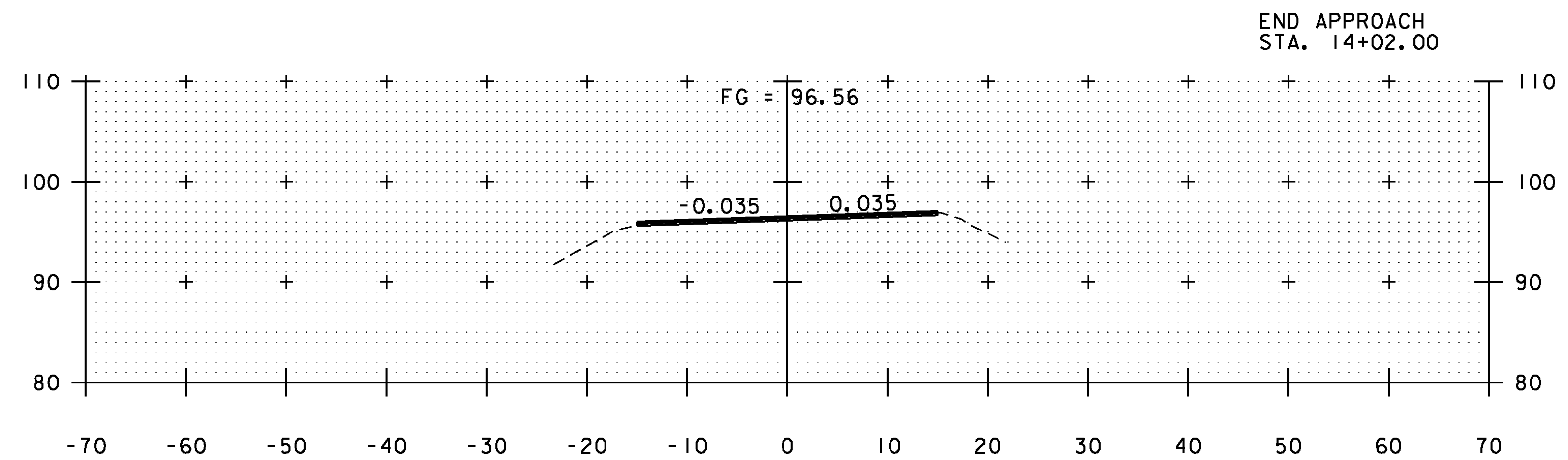
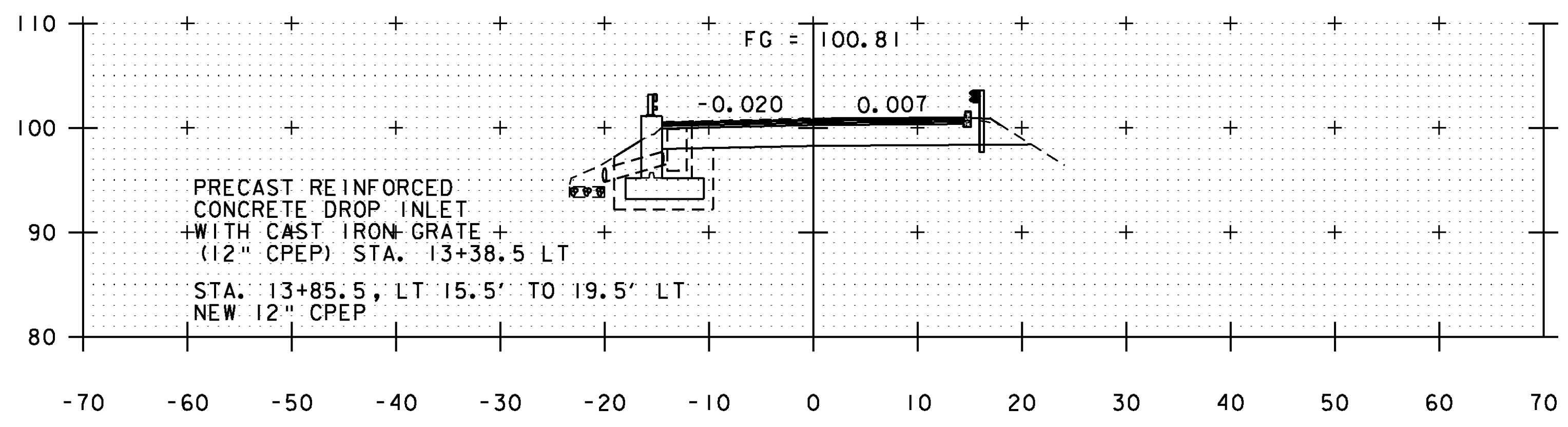


13+50



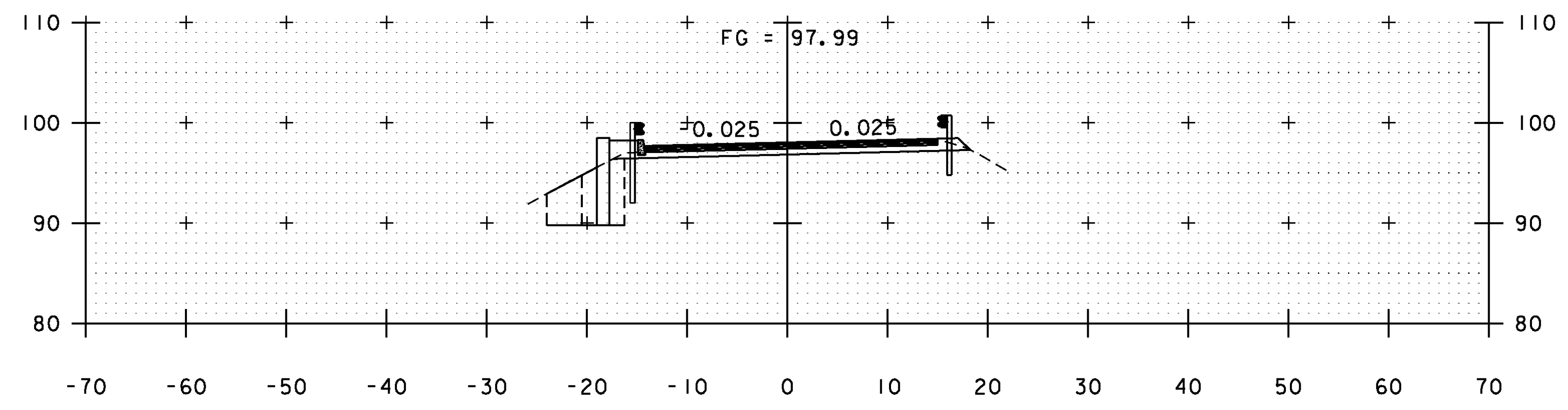
14+00

END APPROACH
STA. 14+02.00



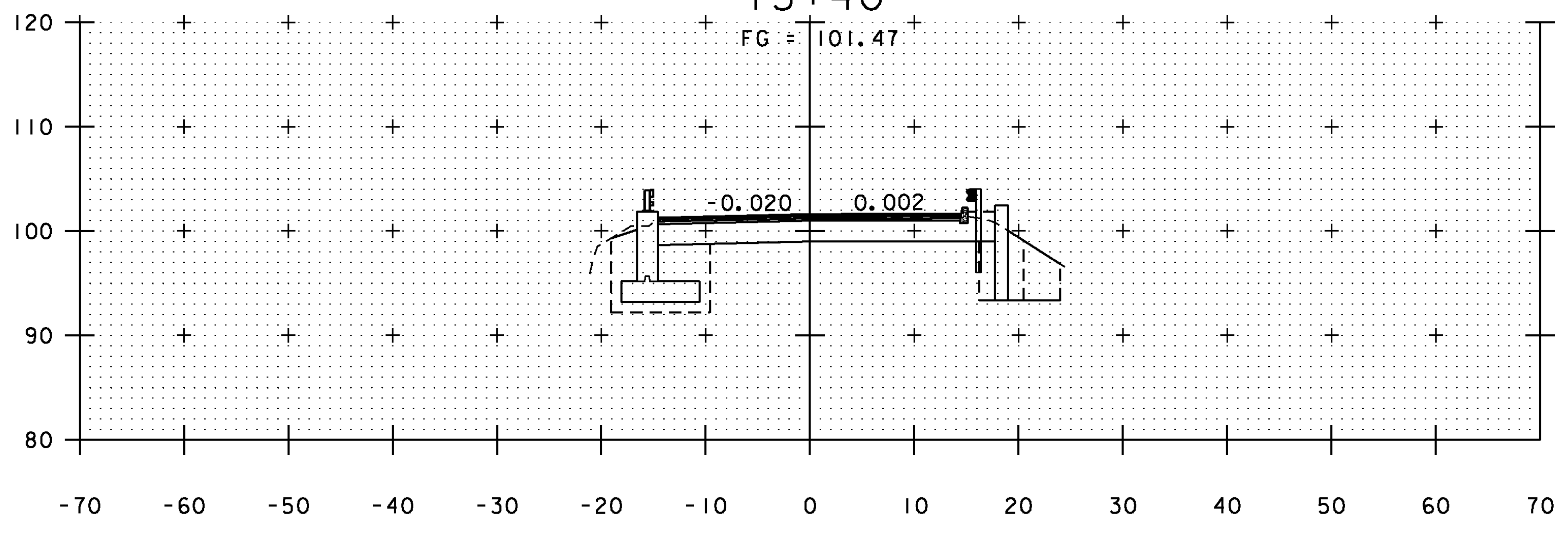
13+40

PRECAST REINFORCED
CONCRETE DROP INLET
WITH CAST IRON GRATE
(12" CPEP) STA. 13+38.5 LT
STA. 13+85.5, LT 15.5' TO 19.5' LT
NEW 12" CPEP

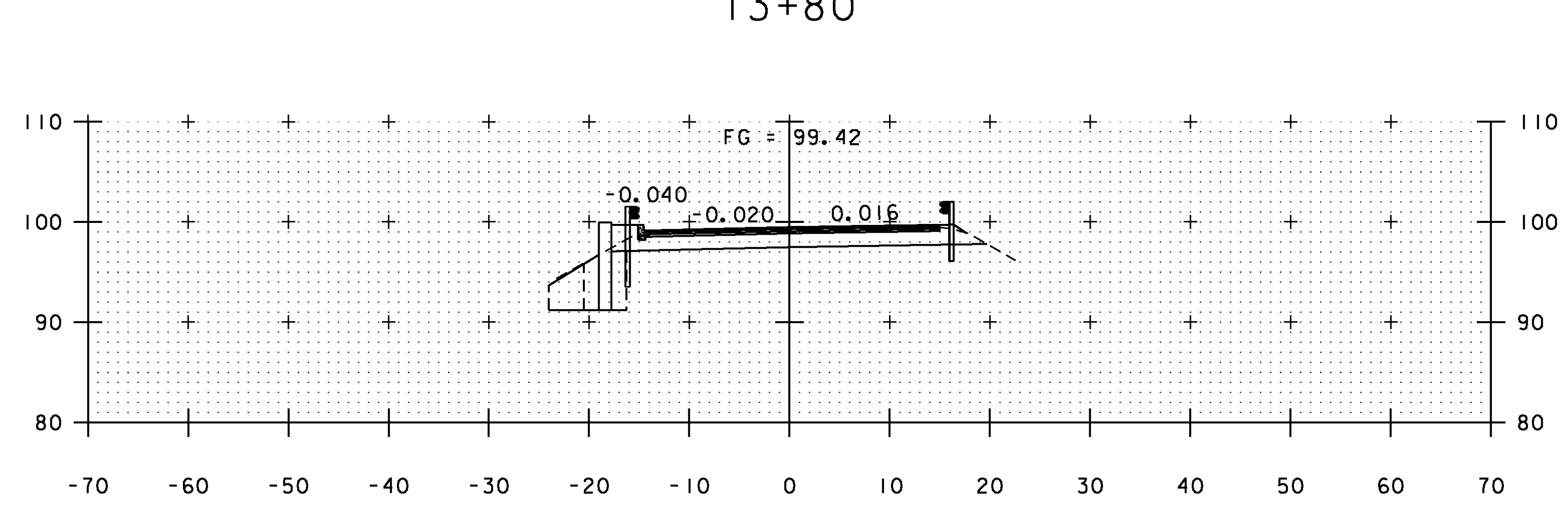


13+80

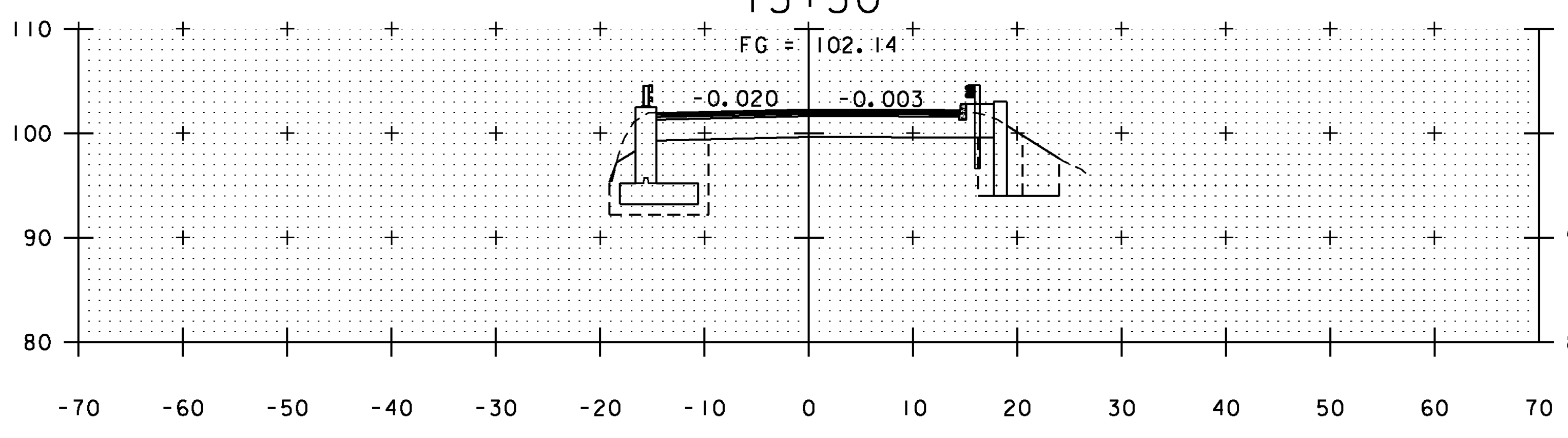
END PROJECT
STA. 13+82.00



13+30

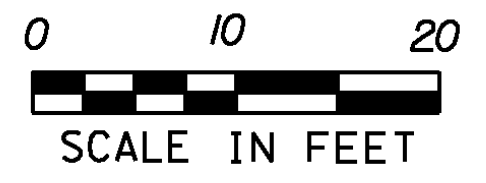


13+60



13+20

US RT 5 ROADWAY CROSS SECTIONS
STA. 13+20 THRU STA. 14+00



PROJECT NAME: HARTLAND	PLOT DATE: 12/17/2013
PROJECT NUMBER: BHF BPNT(12)	DRAWN BY: A.J. GOUDREAU
FILE NAME: zllc260xs.dgn	CHECKED BY: S.E. BURBANK
PROJECT LEADER: M.A. COLGAN	SHEET 39 OF 55
DESIGNED BY: S.G. FARNSWORTH	
BR 62A US 5 CROSS SECTIONS (3 OF 3)	