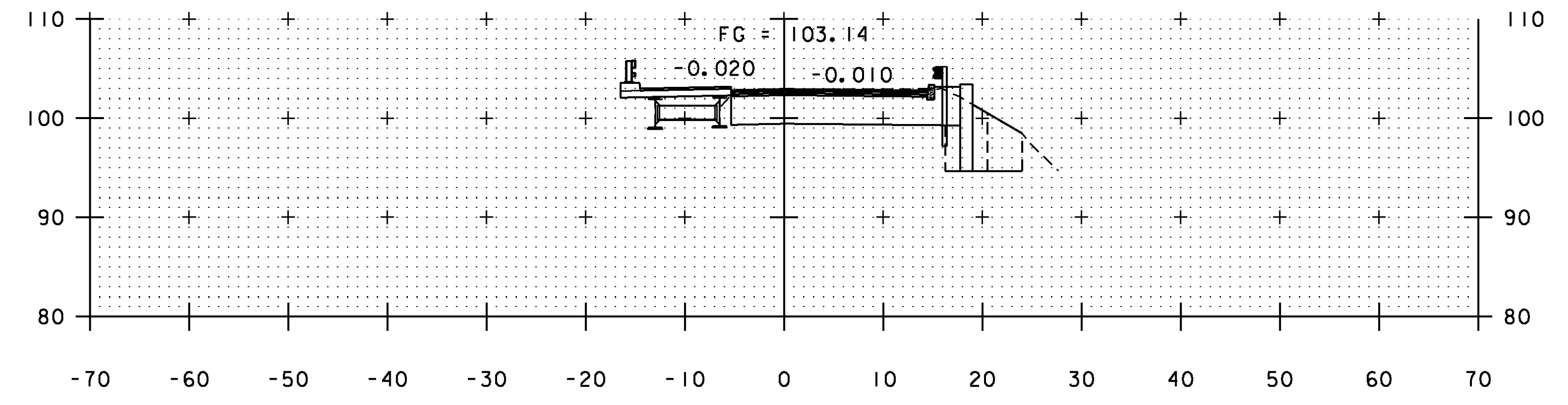
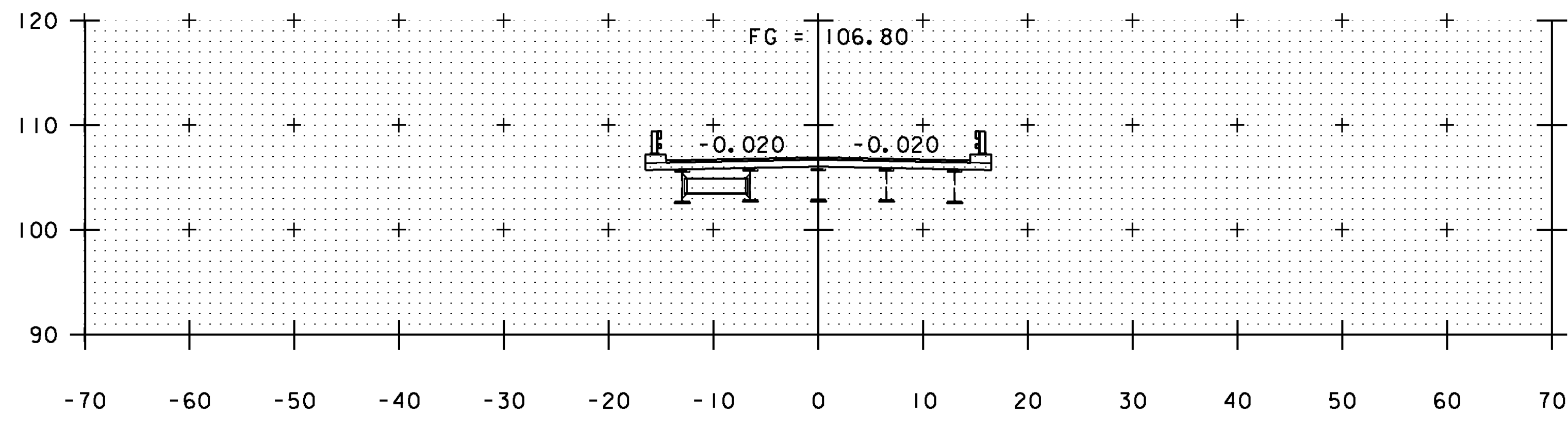


12+75

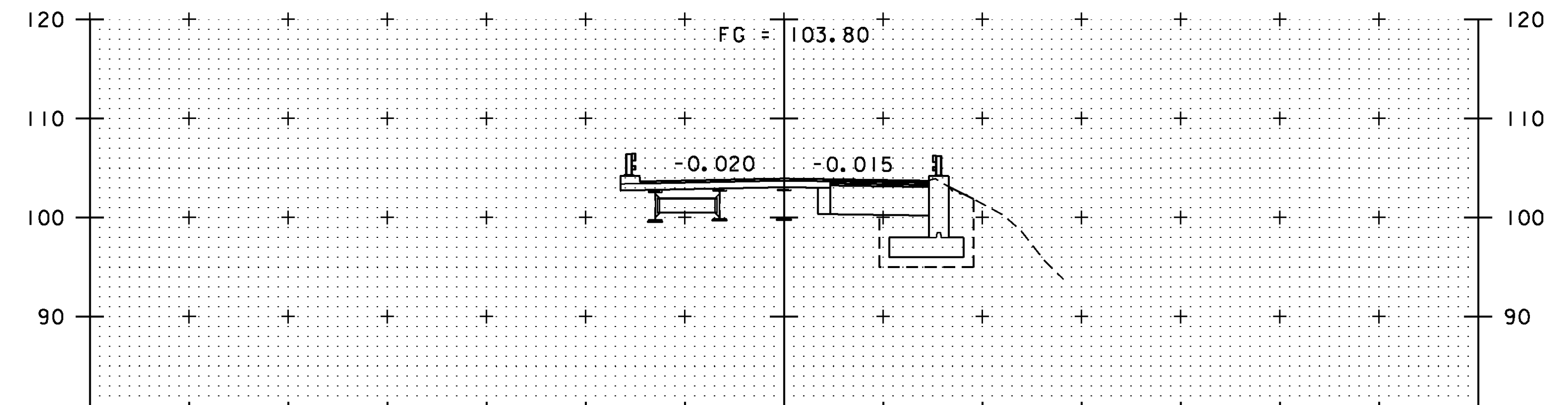


13+05

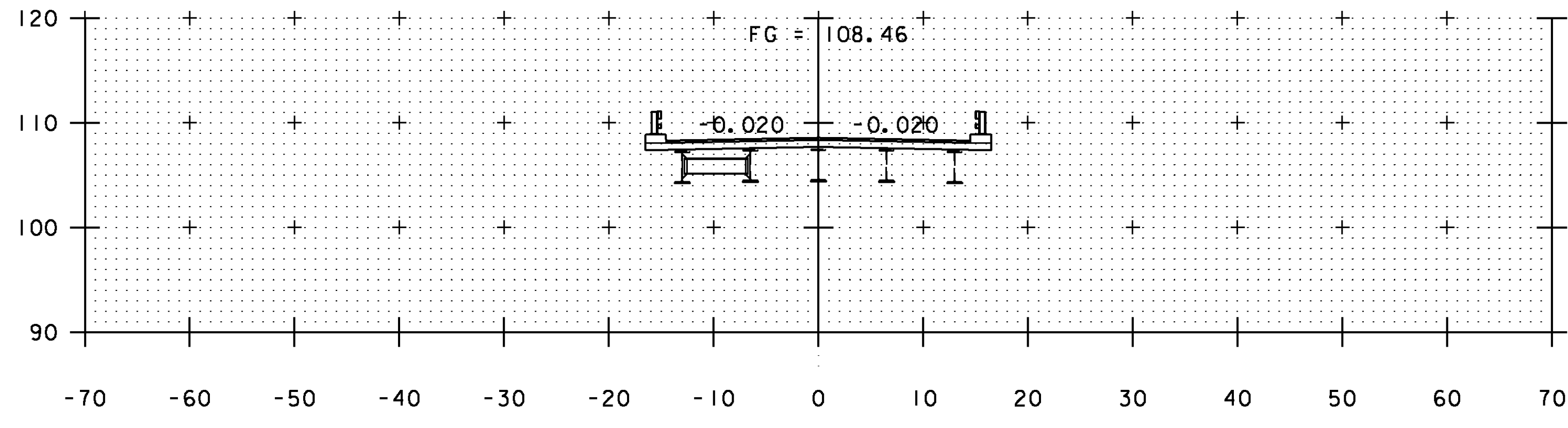
END BRIDGE
STA. 12+99.66



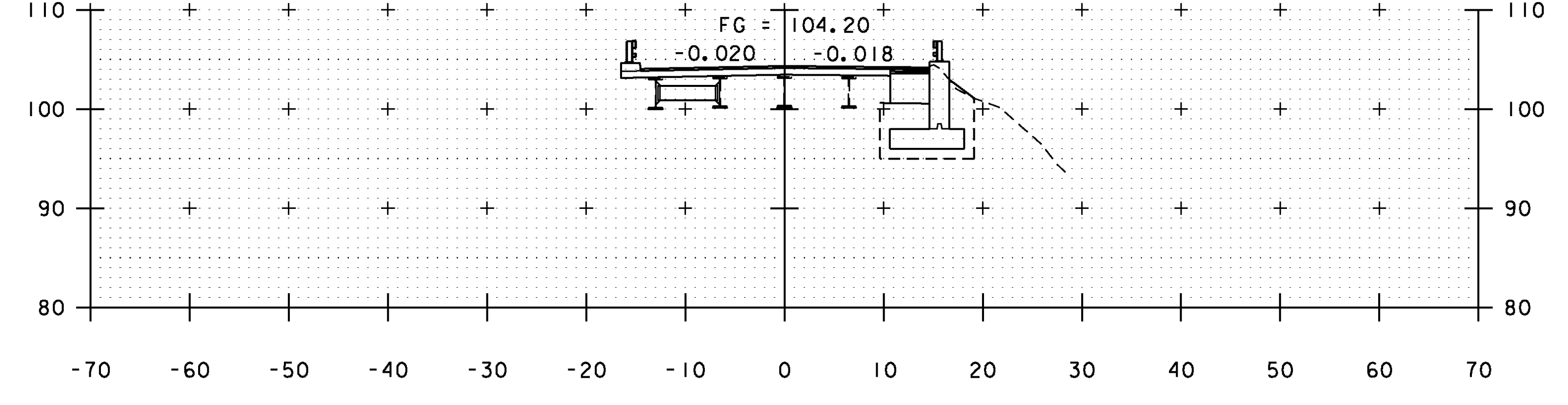
12+50



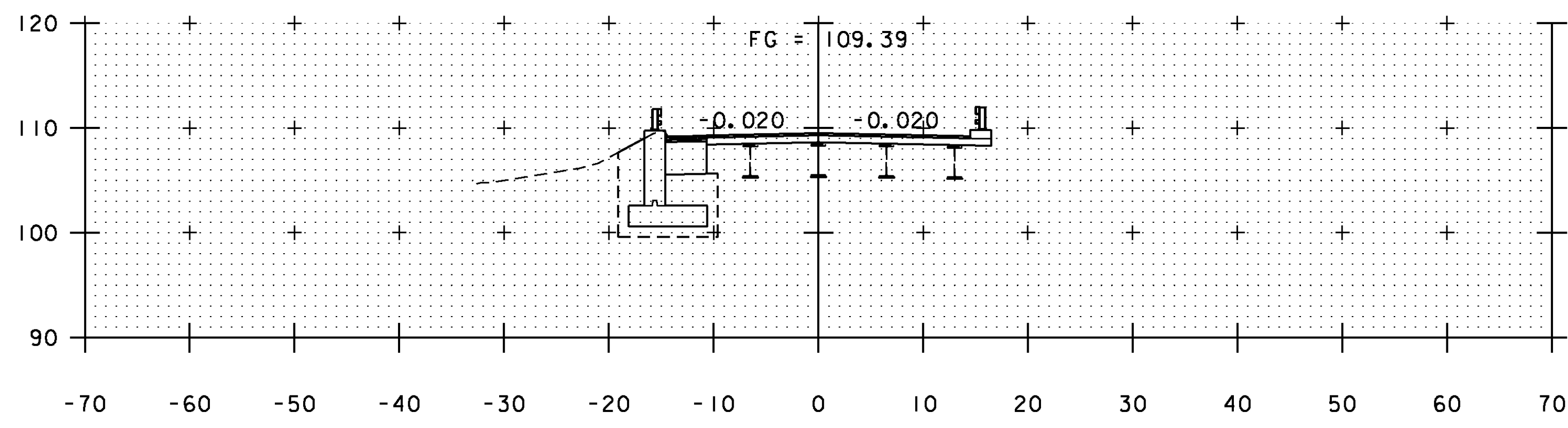
12+95



12+25

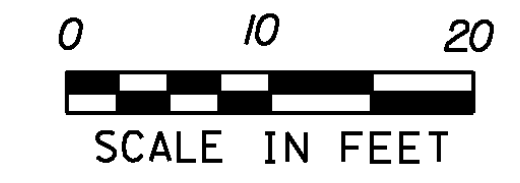


12+89



12+11

US RT 5 ROADWAY CROSS SECTIONS
STA. 12+11 THRU STA. 13+05



PROJECT NAME: HARTLAND	PLOT DATE: 12/17/2013
PROJECT NUMBER: BHF BPNT(12)	DRAWN BY: A.J. GOUDREAU
FILE NAME: zllc260xs.dgn	CHECKED BY: S.E. BURBANK
PROJECT LEADER: M.A. COLGAN	SHEET 38 OF 55
DESIGNED BY: S.G. FARNSWORTH	
BR 62A US 5 CROSS SECTIONS (2 OF 3)	