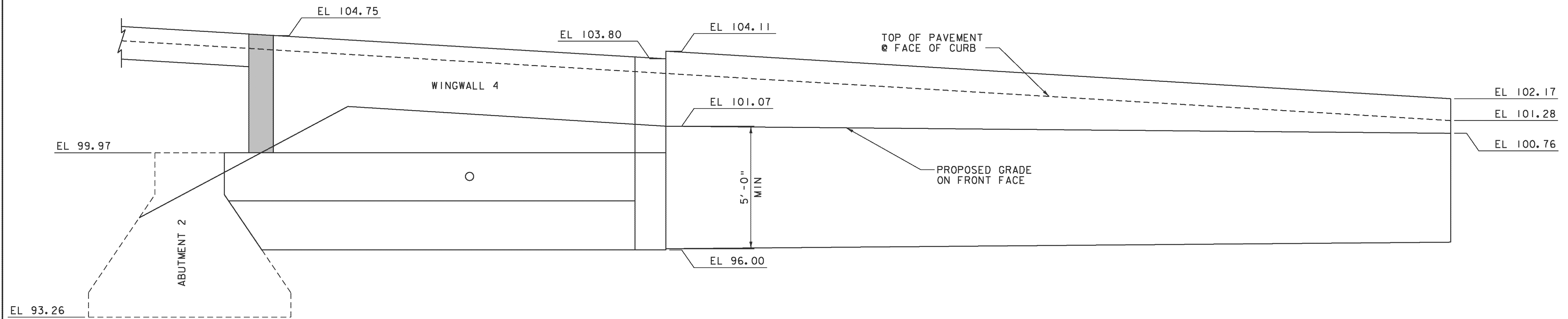


RETAINING WALL 4 PLAN
SCALE 1/2" = 1'-0"



RETAINING WALL 4 ELEVATION
SCALE 1/2" = 1'-0"

KEY

 CURTAIN WALL

NOTE:

SEE SHEET 4 FOR SPECIAL PROVISION
(RETAINING WALL) EXCAVATION DETAIL.

PROJECT NAME: HARTLAND
PROJECT NUMBER: BHF BPNT(12)

FILE NAME: zllc260sub.dgn PLOT DATE: 12/17/2013
PROJECT LEADER: M.A. COLGAN DRAWN BY: A.J. GOUDREAU
DESIGNED BY: S.G. FARNSWORTH CHECKED BY: S.E. BURBANK
BR 62A RETAINING WALL DETAILS (3 OF 3) SHEET 33 OF 55

