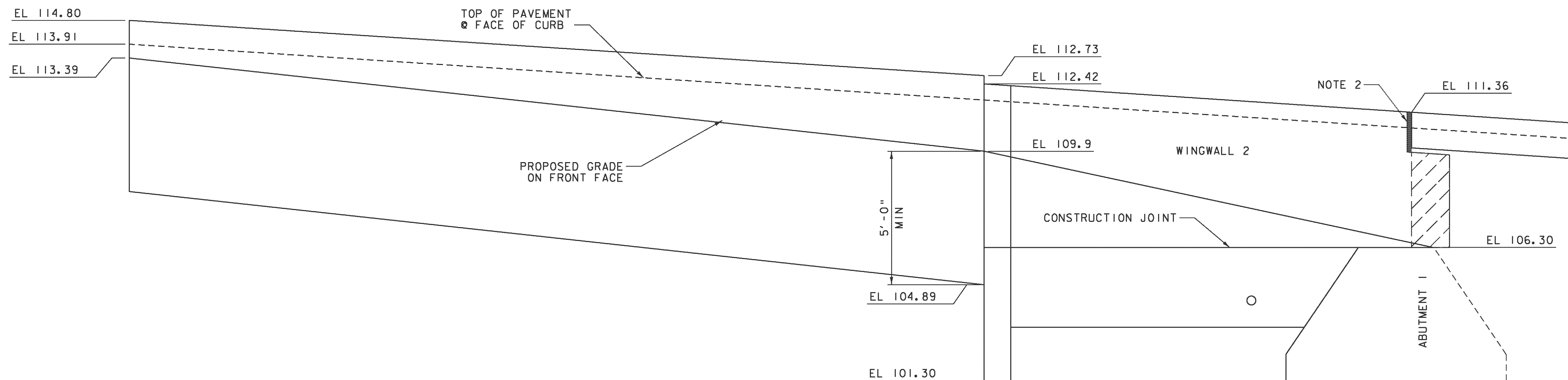


RETAINING WALL 2 PLAN  
SCALE 1/2" = 1'-0"



RETAINING WALL 2 ELEVATION  
SCALE 1/2" = 1'-0"

KEY

 CURTAIN WALL

NOTE:

1. SEE SHEET 4 FOR SPECIAL PROVISION (RETAINING WALL) EXCAVATION DETAIL.
2. ONE INCH OF CLOSED CELL FOAM WITH ONE INCH POLYURETHANE JOINT SEALER BETWEEN WINGWALL AND CONCRETE SLAB. COST INCIDENTAL TO UNIT BID PRICE FOR ADJACENT CONCRETE.

PROJECT NAME: HARTLAND  
PROJECT NUMBER: BHF BPNT(12)

FILE NAME: zllc260sub.dgn  
PROJECT LEADER: M.A. COLGAN  
DESIGNED BY: S.G. FARNSWORTH  
BR 62A RETAINING WALL DETAILS (1 OF 3)

PLOT DATE: 1/2/2014  
DRAWN BY: A. J. GOUDREAU  
CHECKED BY: S.E. BURBANK  
SHEET 31 OF 55

