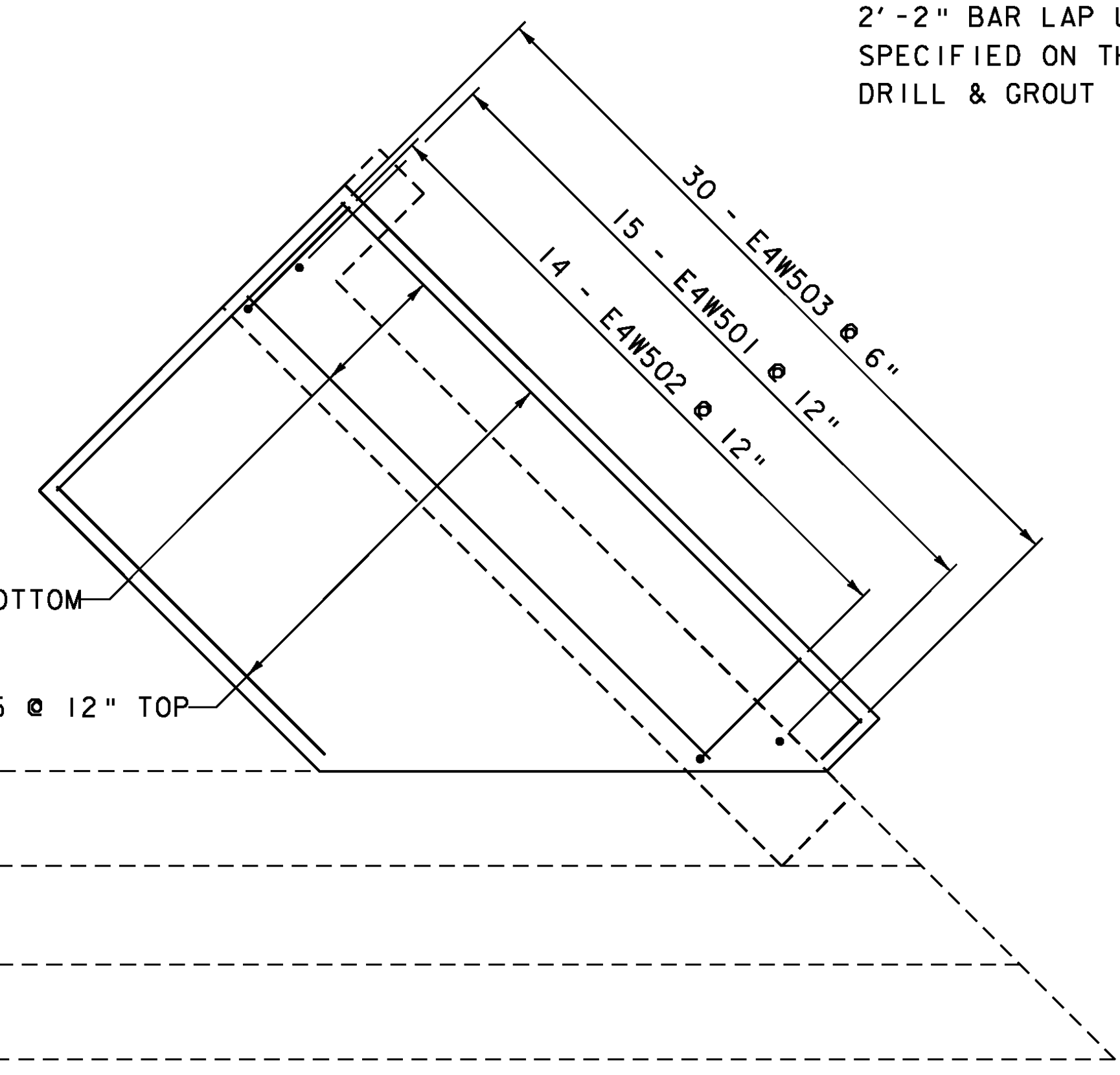
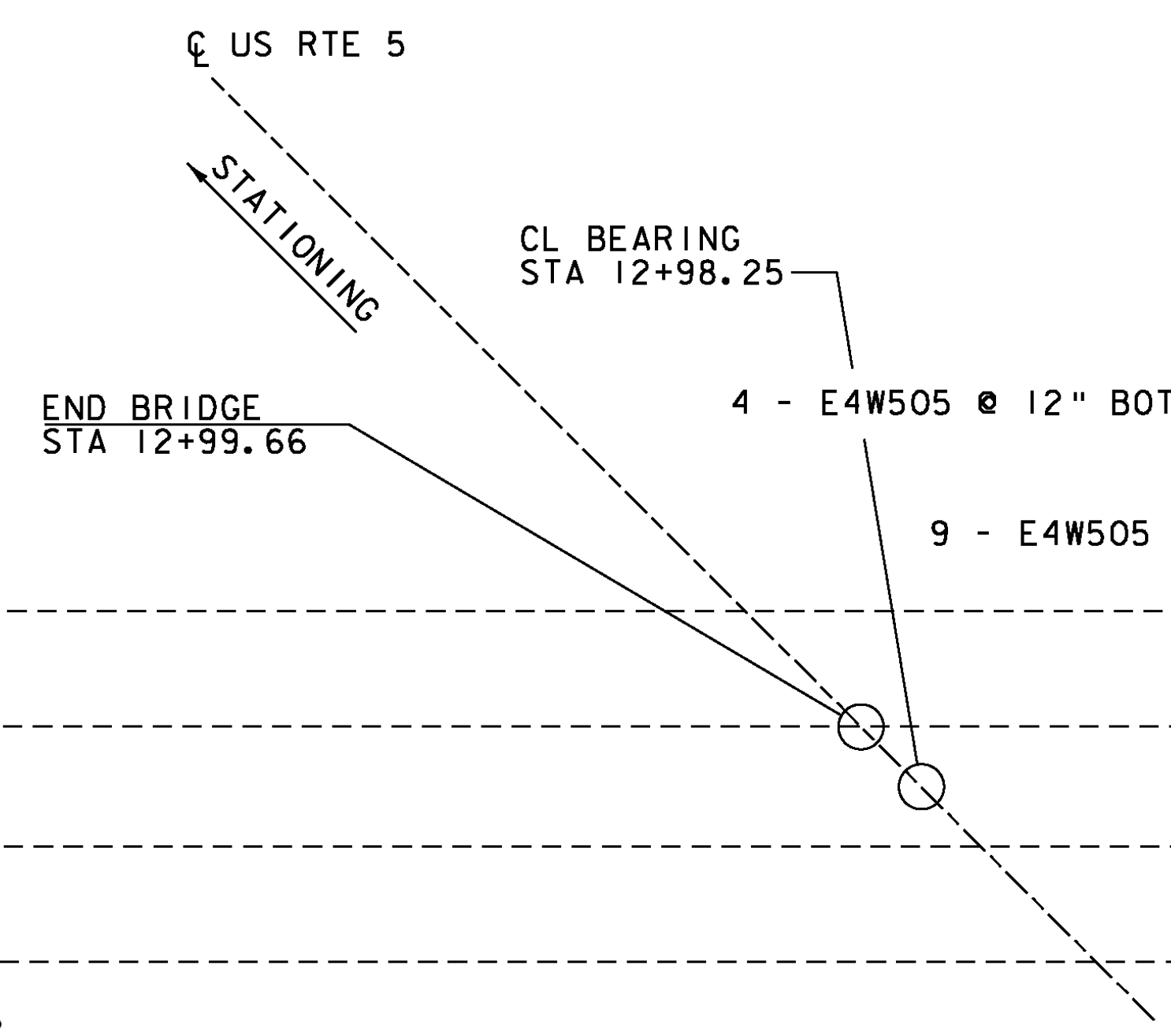
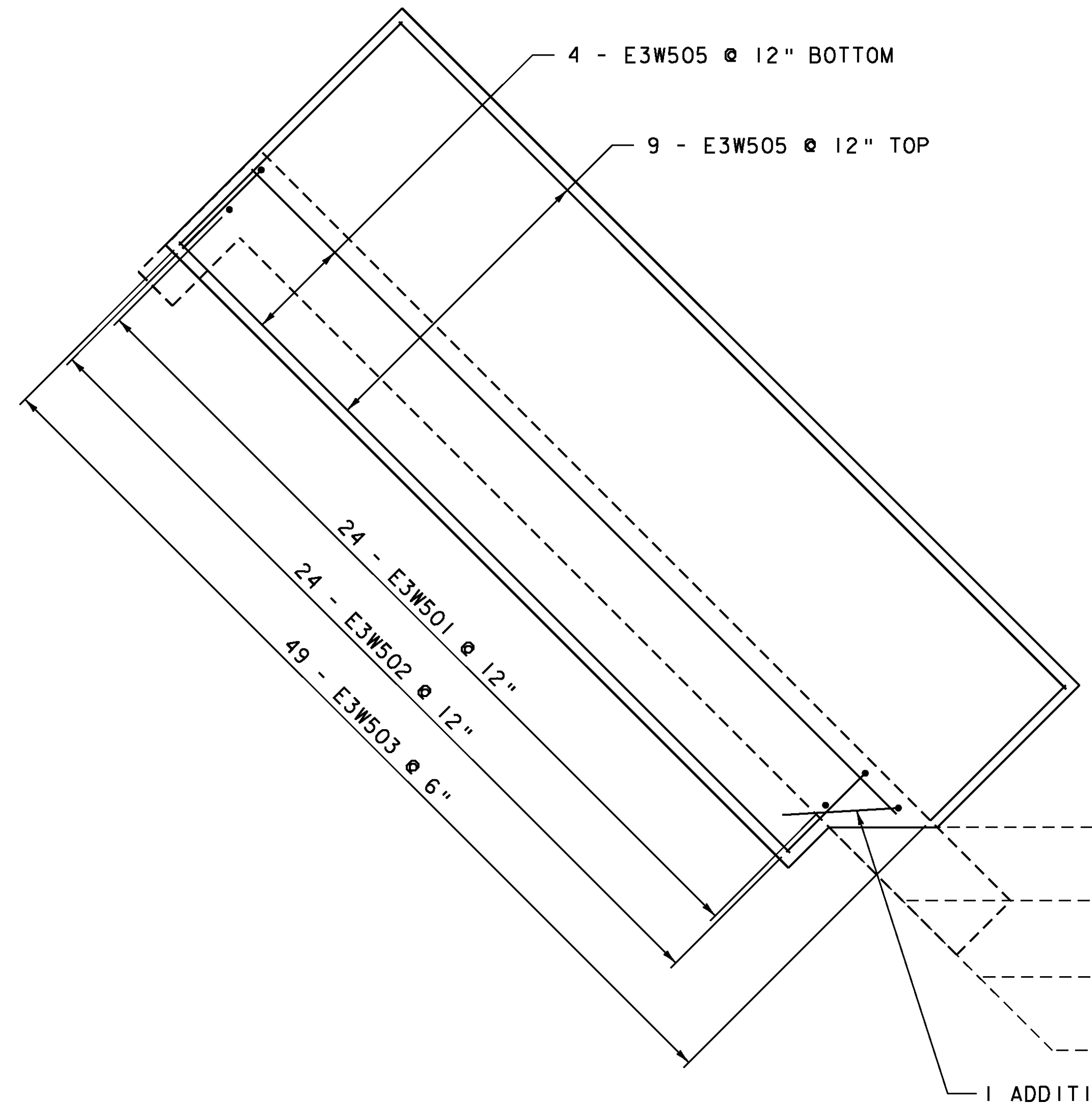


ABUTMENT 1 FOOTING REINFORCING PLAN
SCALE 3/8" = 1'-0"

NOTE:
 NF = NEAR FACE
 FF = FAR FACE
 EF = EACH FACE
 ▲ = CUT TO FIT IN FIELD
 3" CLEAR, UNLESS OTHERWISE SPECIFIED ON THE PLANS.
 2'-2" BAR LAP UNLESS OTHERWISE SPECIFIED ON THE PLANS.
 DRILL & GROUT IN 2" DIA HOLES



ABUTMENT 2 FOOTING REINFORCING PLAN
SCALE 3/8" = 1'-0"

PROJECT NAME:	HARTLAND	PLOT DATE:	12/17/2013
PROJECT NUMBER:	BHF BPNT(12)	DRAWN BY:	A.J. GOUDREAU
FILE NAME:	zllc260sub.dgn	CHECKED BY:	S.E. BURBANK
PROJECT LEADER:	M.A. COLGAN	SHEET	30 OF 55
DESIGNED BY:	S.G. FARNSWORTH		
BR 62A FOOTING REINFORCING PLAN			

