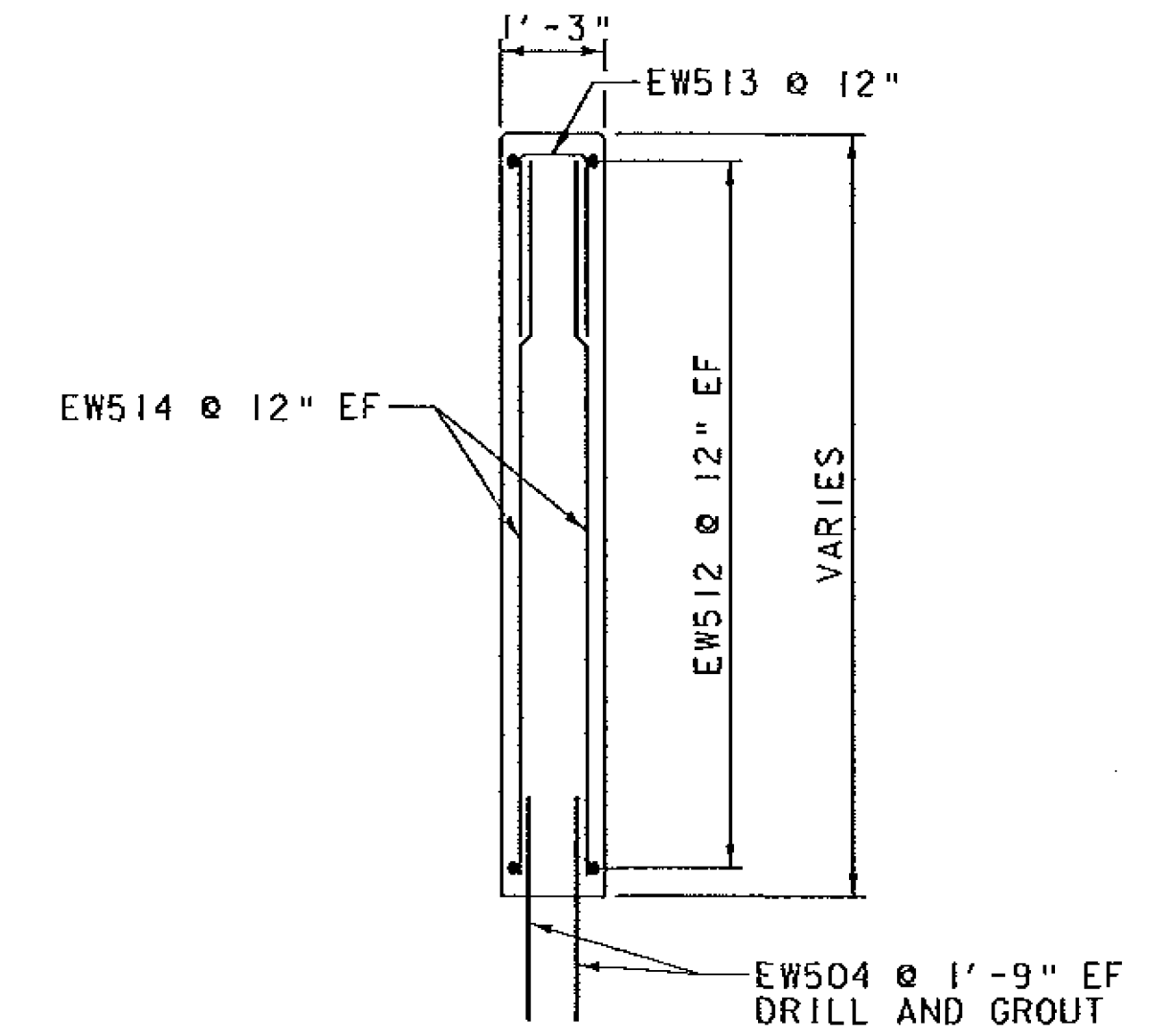
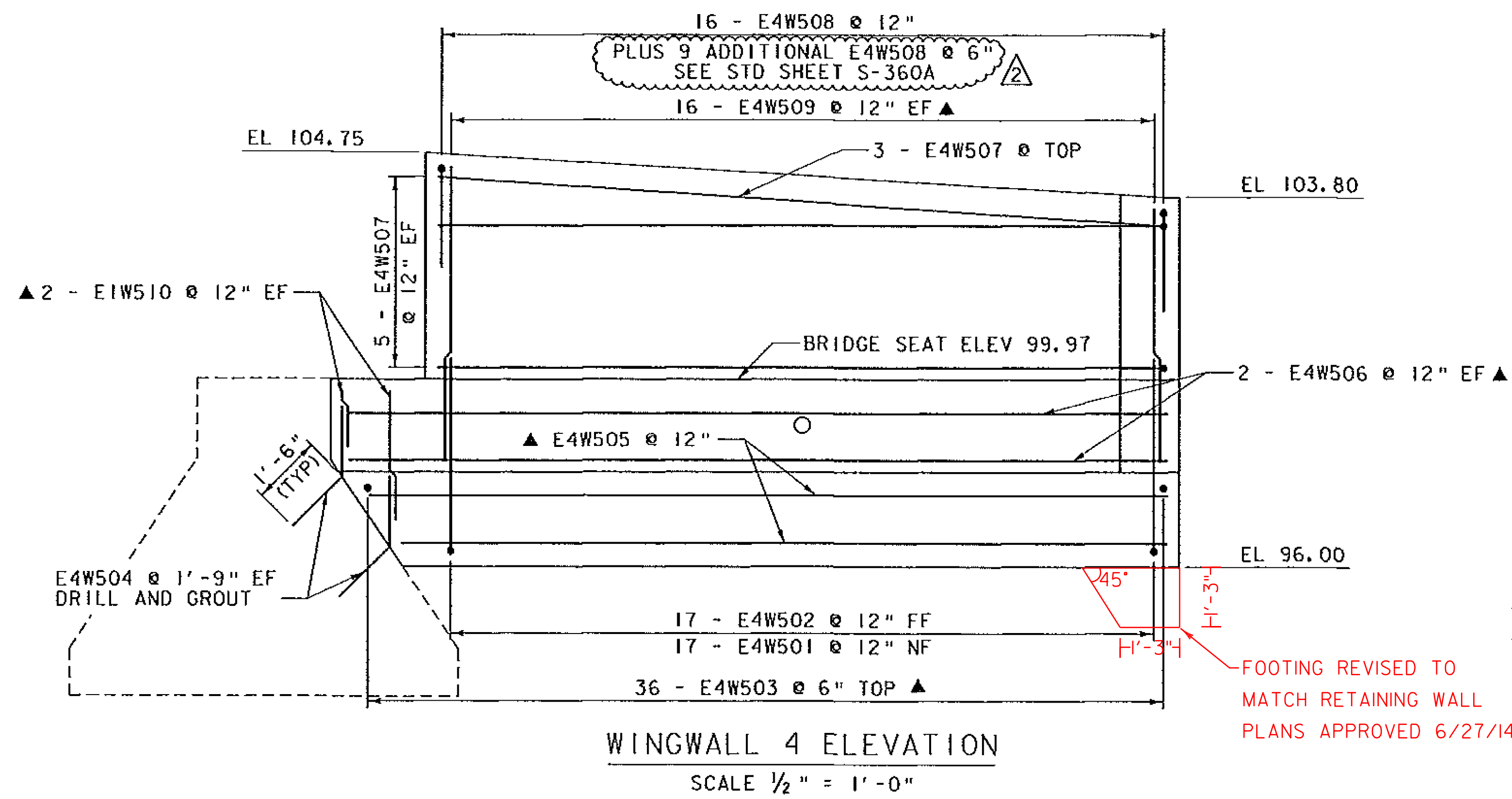


WINGWALL 3 ELEVATION
SCALE 1/2" = 1'-0"

FOOTING REVISED TO MATCH
RETAINING WALL PLANS
APPROVED 6/27/14.

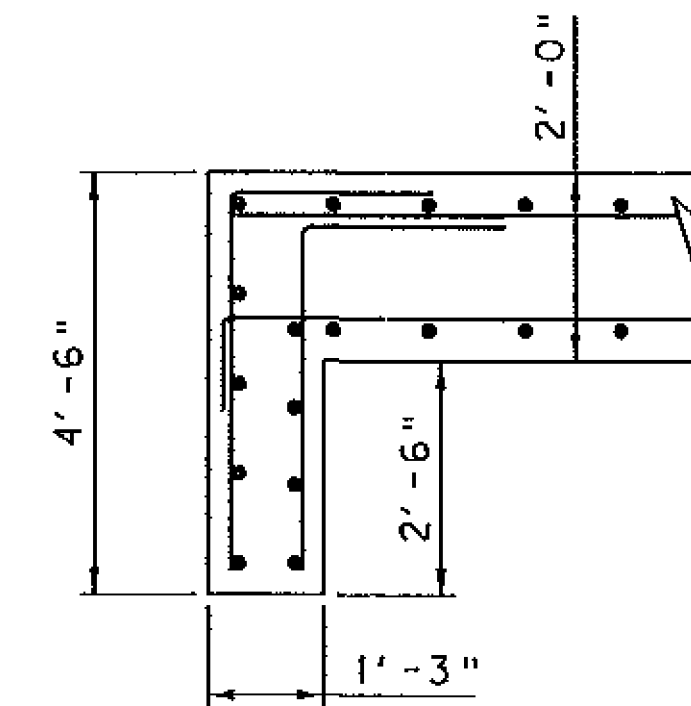


TYPICAL CANTILEVERED WINGWALL SECTION
SCALE 1/2" = 1'-0"



WINGWALL 4 ELEVATION
SCALE 1/2" = 1'-0"

FOOTING REVISED TO
MATCH RETAINING WALL
PLANS APPROVED 6/27/14.



TYPICAL WINGWALL CORNER DETAIL
SCALE 1/2" = 1'-0"

NOTE:

- NF = NEAR FACE
- FF = FAR FACE
- EF = EACH FACE
- ▲ = CUT TO FIT IN FIELD
- 3" CLEAR, UNLESS OTHERWISE SPECIFIED ON THE PLANS.
- 2'-2" BAR LAP UNLESS OTHERWISE SPECIFIED ON THE PLANS.
- DRILL & GROUT IN 2" DIA HOLES

NOTES:

1. A BLOCKOUT IS TO BE CONSTRUCTED FOR THE 12" CPEP, AND GROUTED AFTER INSTALLATION OF DROP INLET AND CPEP. COST FOR BLOCKOUT AND GROUT TO BE INCLUDED IN ITEM 501.34, "CONCRETE, HIGH PERFORMANCE CLASS B".

REV.	DESCRIPTION	DATE
▲	ADDITIONAL EW508 AT POSTS	3/3/2014
PROJECT NAME: HARTLAND		
PROJECT NUMBER: BHF BPNT(12)		
FILE NAME: zllc260sub.dgn		PLOT DATE: 3/3/2014
PROJECT LEADER: M.A. COLGAN		DRAWN BY: A.J. GOUDREAU
DESIGNED BY: A.J. GOUDREAU		CHECKED BY: S.G. FARNSWORTH
BR 62A WINGWALL DETAILS (2 OF 2)		SHEET 29 OF 55

