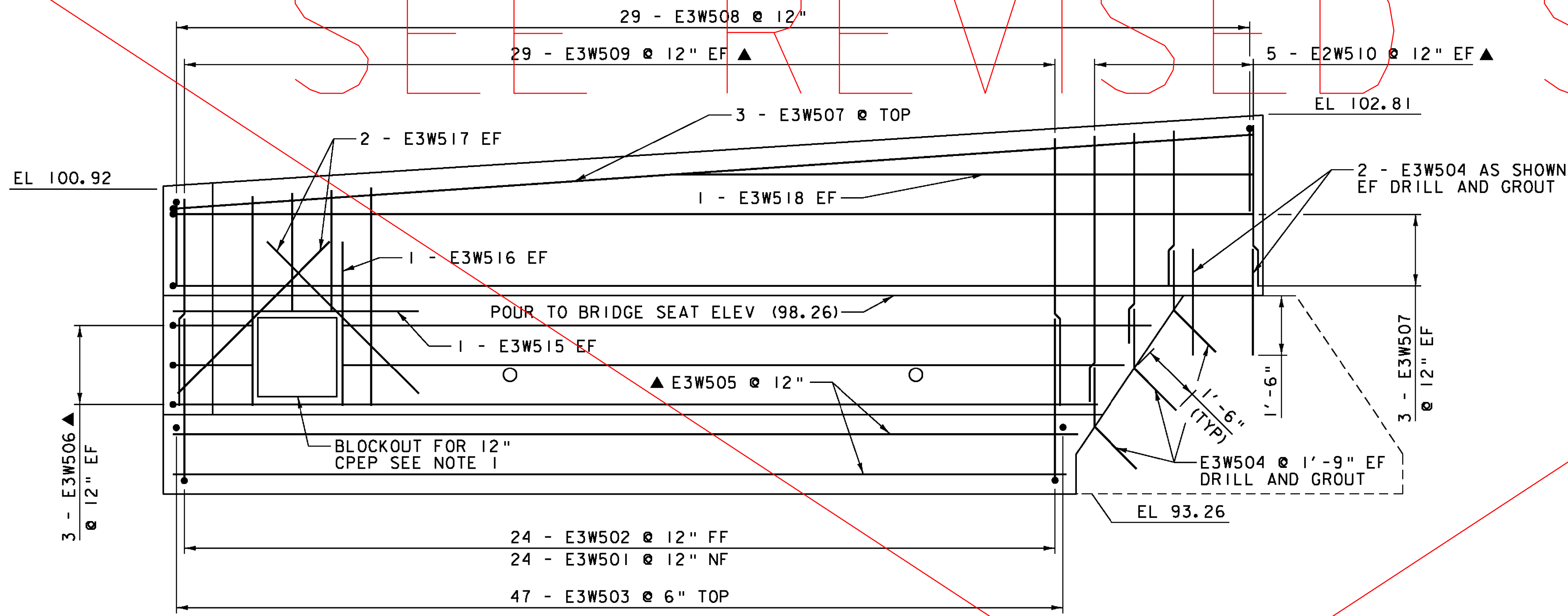
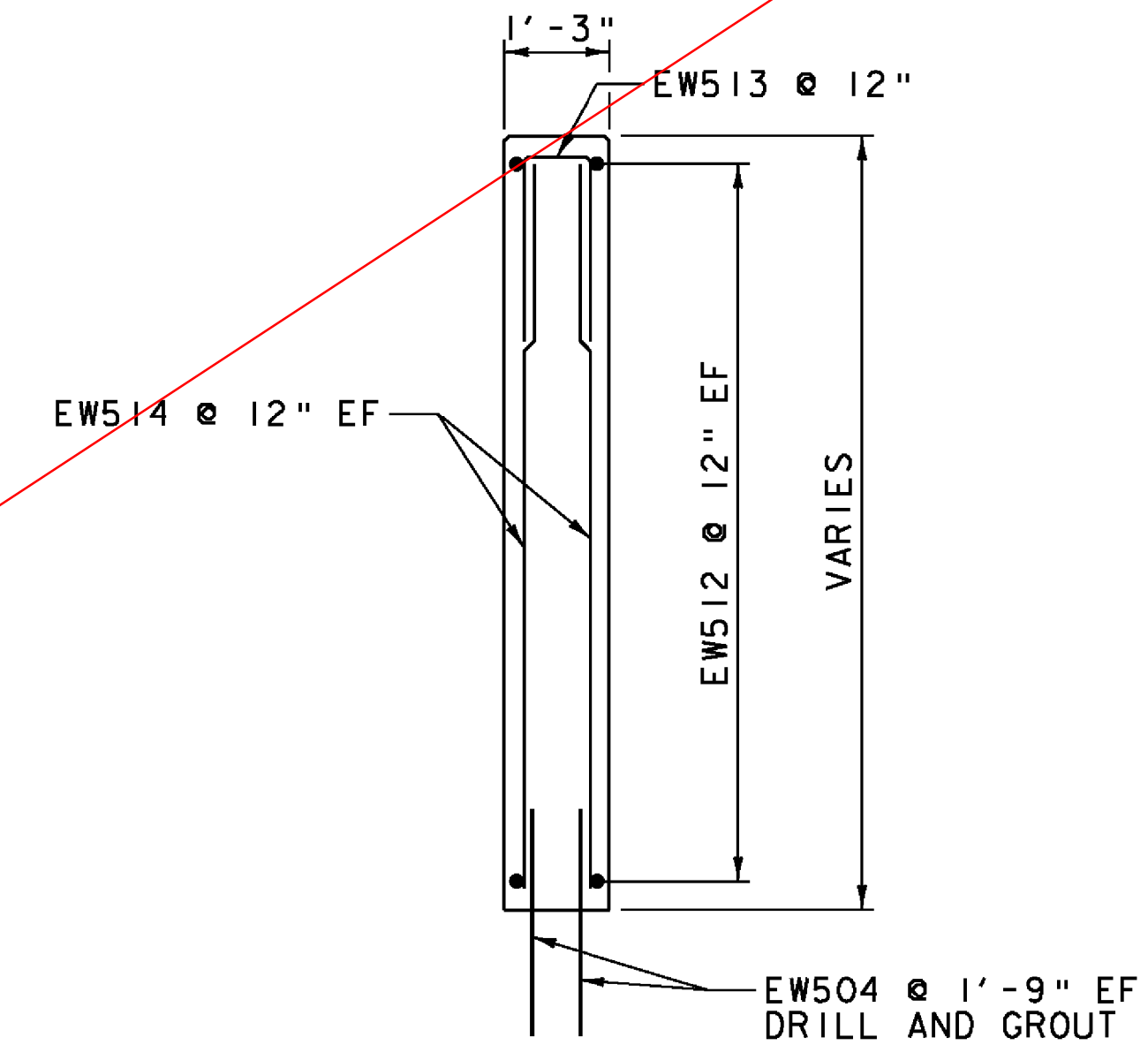


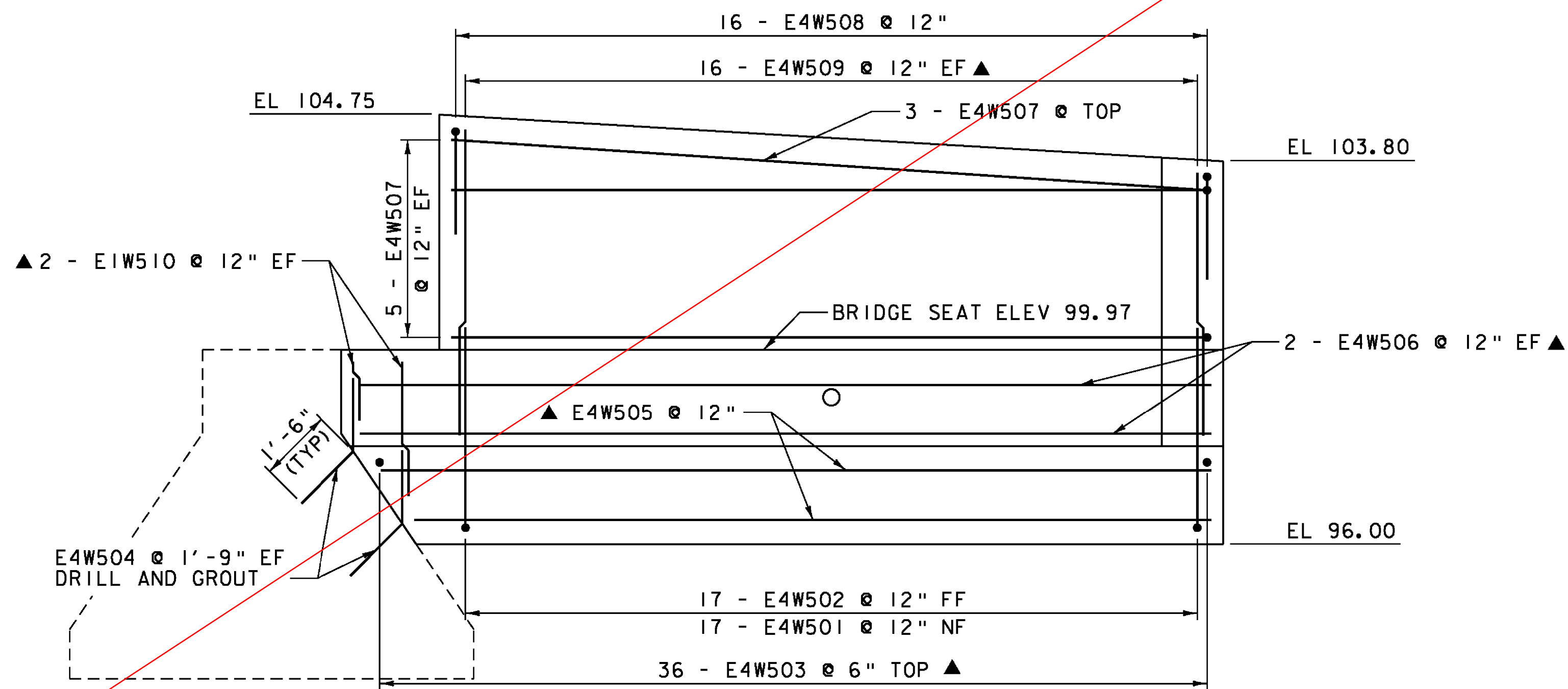
SEE REVISED SHEET



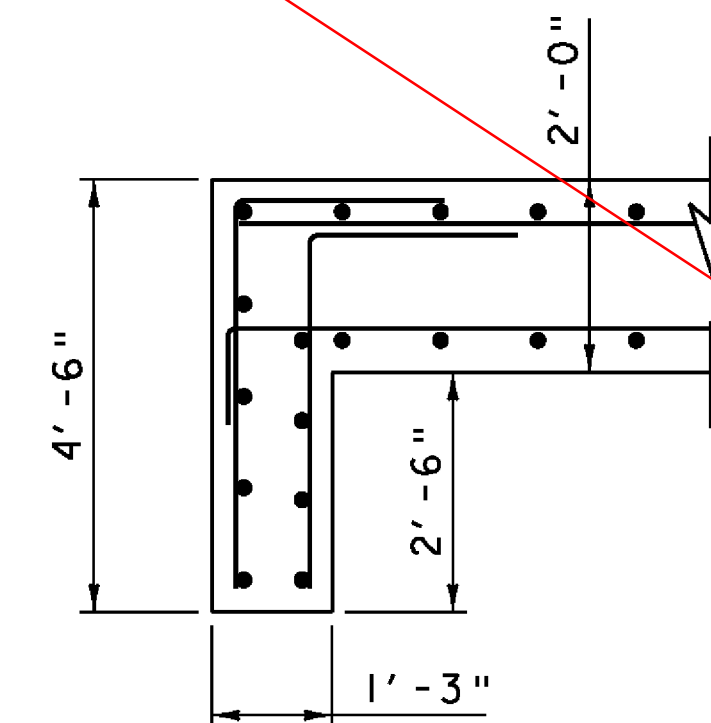
WINGWALL 3 ELEVATION  
 SCALE 1/2" = 1'-0"



TYPICAL CANTILEVERED WINGWALL SECTION  
 SCALE 1/2" = 1'-0"



WINGWALL 4 ELEVATION  
 SCALE 1/2" = 1'-0"



TYPICAL WINGWALL CORNER DETAIL  
 SCALE 1/2" = 1'-0"

**NOTE:**

- NF = NEAR FACE
- FF = FAR FACE
- EF = EACH FACE
- ▲ = CUT TO FIT IN FIELD
- 3" CLEAR, UNLESS OTHERWISE SPECIFIED ON THE PLANS.
- 2'-2" BAR LAP UNLESS OTHERWISE SPECIFIED ON THE PLANS.
- DRILL & GROUT IN 2" DIA HOLES

**NOTES:**

1. A BLOCKOUT IS TO BE CONSTRUCTED FOR THE 12" CPEP, AND GROUTED AFTER INSTALLATION OF DROP INLET AND CPEP. COST FOR BLOCKOUT AND GROUT TO BE INCLUDED IN ITEM 501.34, "CONCRETE, HIGH PERFORMANCE CLASS B".

PROJECT NAME: HARTLAND	PLOT DATE: 12/17/2013
PROJECT NUMBER: BHF BPNT(12)	DRAWN BY: A.J. GOUDREAU
FILE NAME: zllc260sub.dgn	CHECKED BY: S.G. FARNSWORTH
PROJECT LEADER: M.A. COLGAN	SHEET 29 OF 55
DESIGNED BY: A.J. GOUDREAU	BR 62A WINGWALL DETAILS (2 OF 2)

