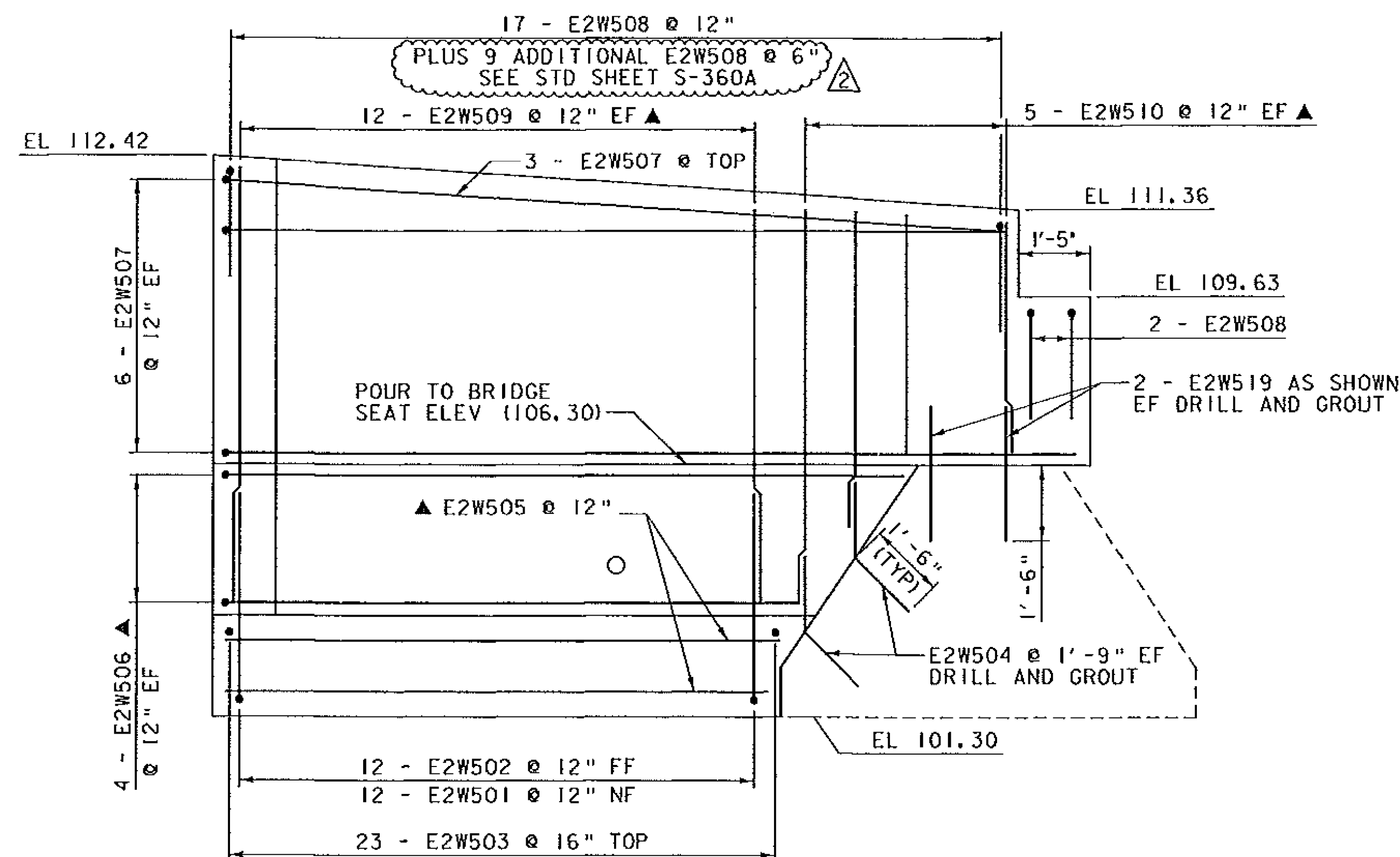
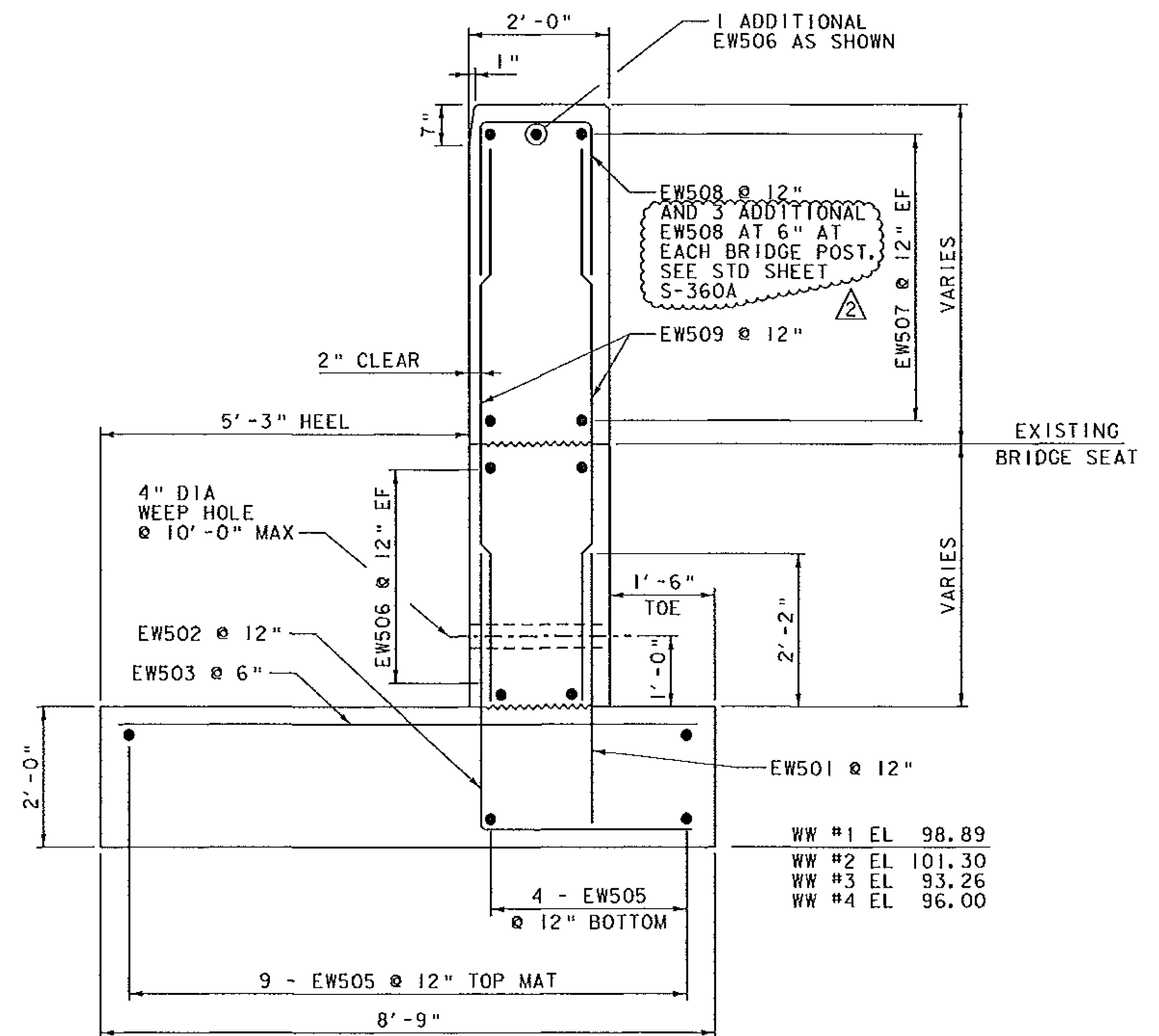


WINGWALL 1 ELEVATION
SCALE 1/2" = 1'-0"



WINGWALL 2 ELEVATION
SCALE 1/2" = 1'-0"



WINGWALL TYPICAL SECTION
SCALE 3/4" = 1'-0"

NOTE:
 NF = NEAR FACE
 FF = FAR FACE
 EF = EACH FACE
 ▲ = CUT TO FIT IN FIELD
 3" CLEAR, UNLESS OTHERWISE SPECIFIED ON THE PLANS.
 2'-2" BAR LAP UNLESS OTHERWISE SPECIFIED ON THE PLANS.
 DRILL & GROUT IN 2" DIA HOLES

REV.	DESCRIPTION	DATE
△	ADDITIONAL EW508 AT POSTS	3/3/2014
PROJECT NAME: HARTLAND		
PROJECT NUMBER: BHF BPNT(12)		
FILE NAME: z\c260sub.dgn		PLOT DATE: 3/3/2014
PROJECT LEADER: M.A. COLGAN		DRAWN BY: A.J. GOUDREAU
DESIGNED BY: A.J. GOUDREAU		CHECKED BY: S.G. FARNSWORTH
BR 62A WINGWALL DETAILS (1 OF 2)		SHEET 28 OF 55

