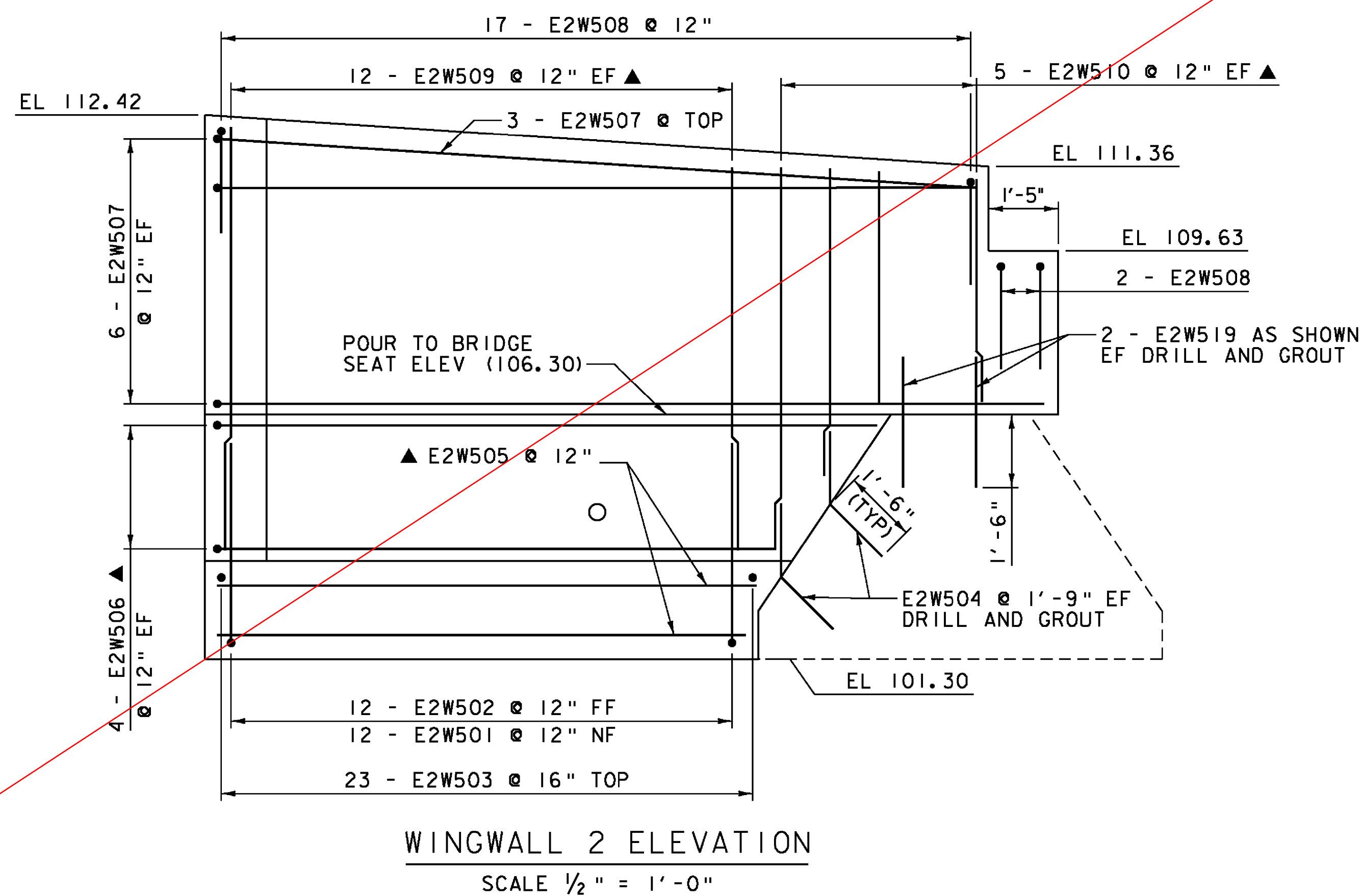
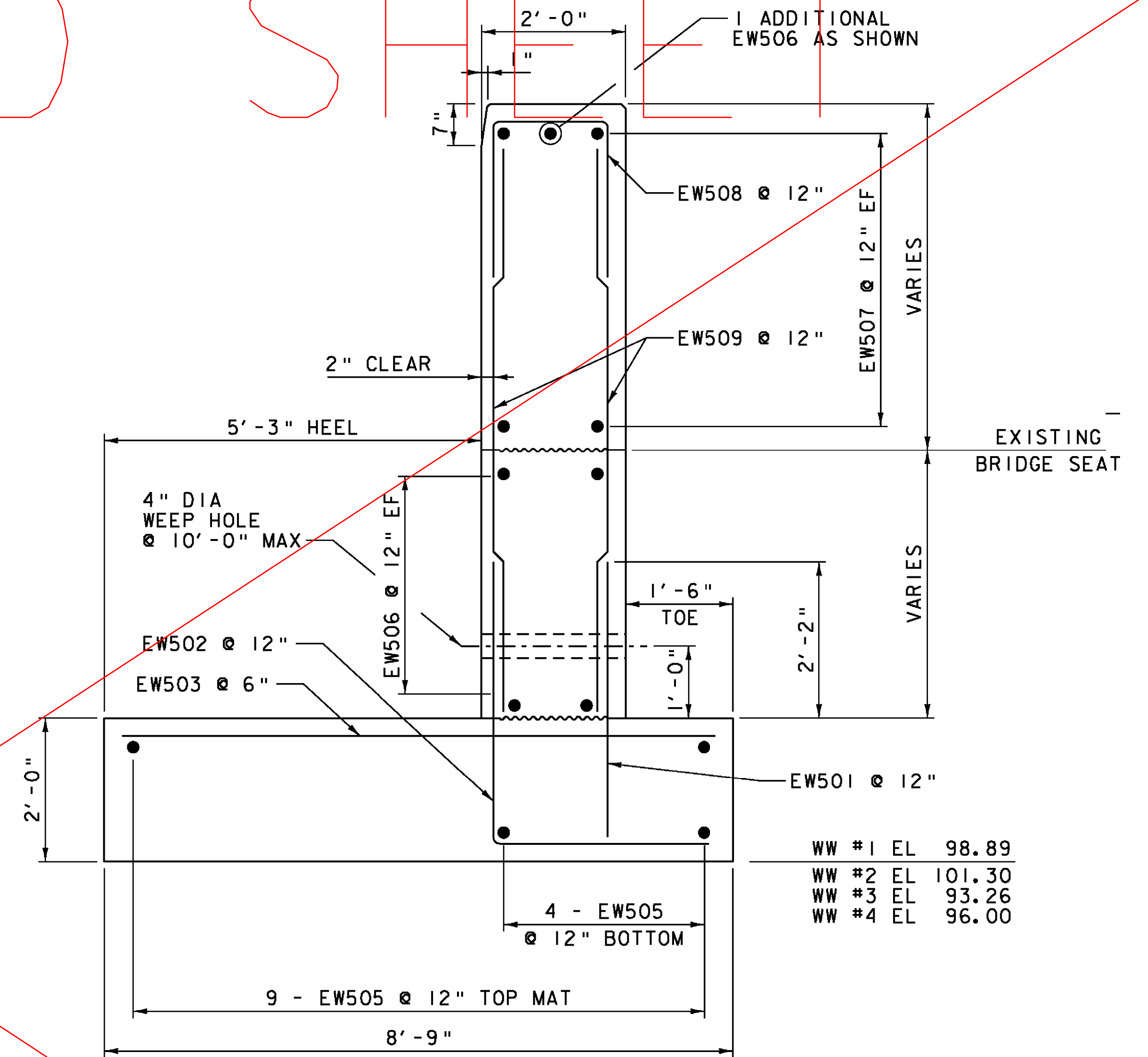
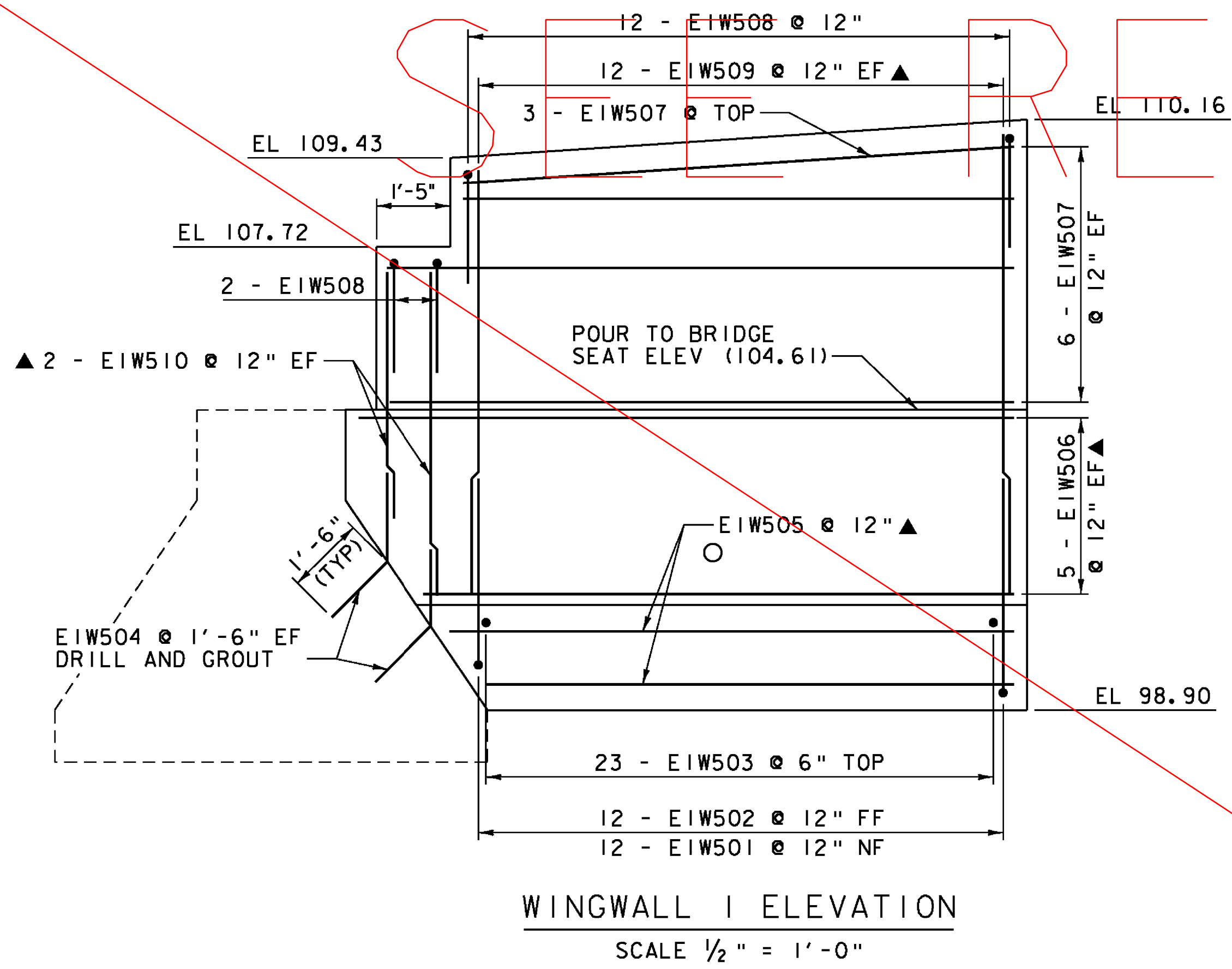


REVISED SHEET



**NOTE:**  
 NF = NEAR FACE  
 FF = FAR FACE  
 EF = EACH FACE  
 ▲ = CUT TO FIT IN FIELD  
 3" CLEAR, UNLESS OTHERWISE SPECIFIED ON THE PLANS.  
 2'-2" BAR LAP UNLESS OTHERWISE SPECIFIED ON THE PLANS.  
 DRILL & GROUT IN 2" DIA HOLES

|                                  |                             |
|----------------------------------|-----------------------------|
| PROJECT NAME: HARTLAND           |                             |
| PROJECT NUMBER: BHF BPNT(12)     |                             |
| FILE NAME: zllc260sub.dgn        | PLOT DATE: 1/2/2014         |
| PROJECT LEADER: M.A. COLGAN      | DRAWN BY: A.J. GOUDREAU     |
| DESIGNED BY: A.J. GOUDREAU       | CHECKED BY: S.G. FARNSWORTH |
| BR 62A WINGWALL DETAILS (1 OF 2) | SHEET 28 OF 55              |

