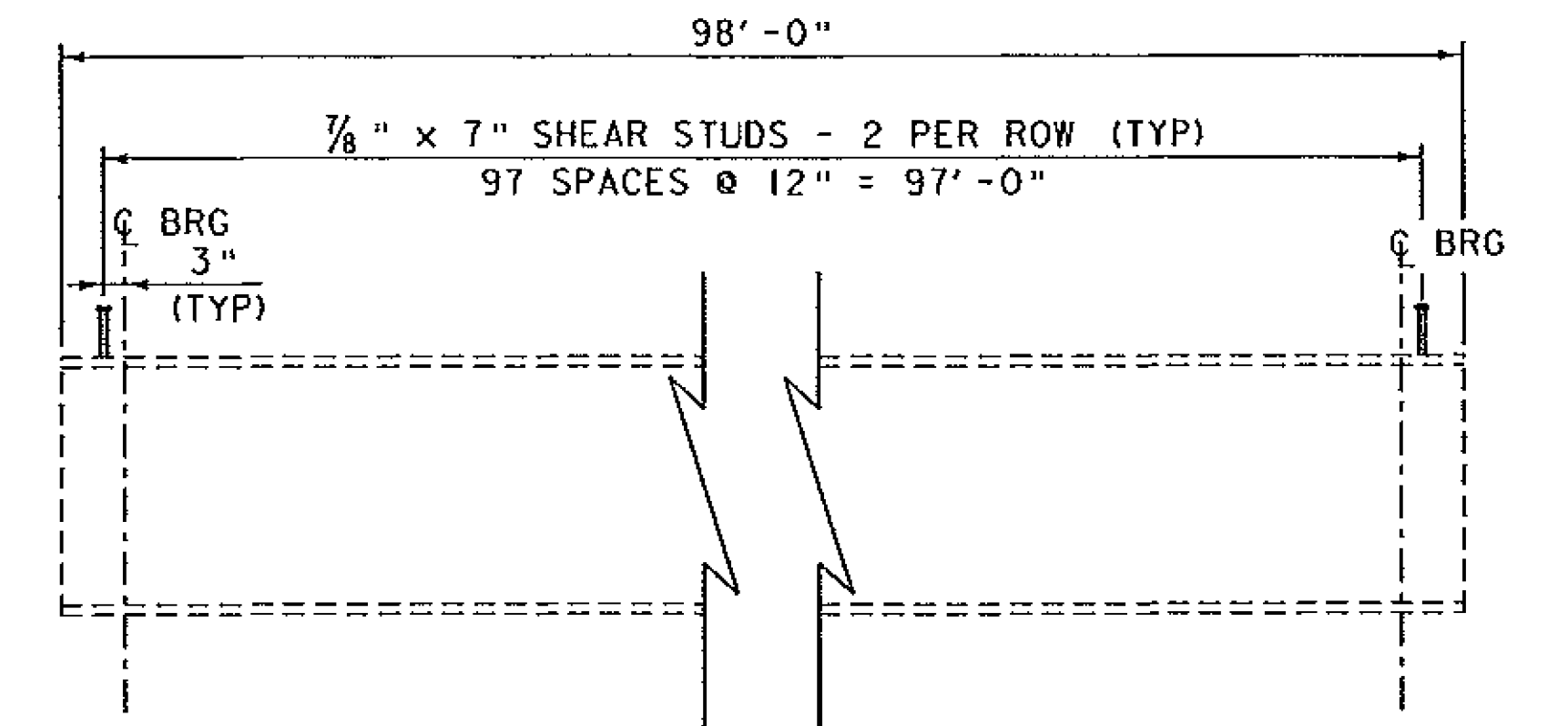
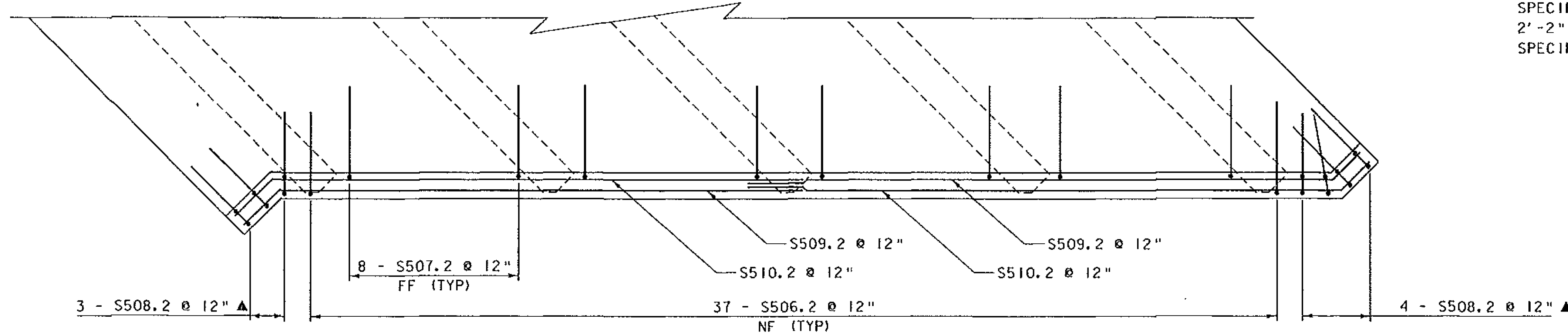


ABUTMENT 1 CURTAIN WALL REINFORCING PLAN
SCALE: 3/8" = 1'-0"

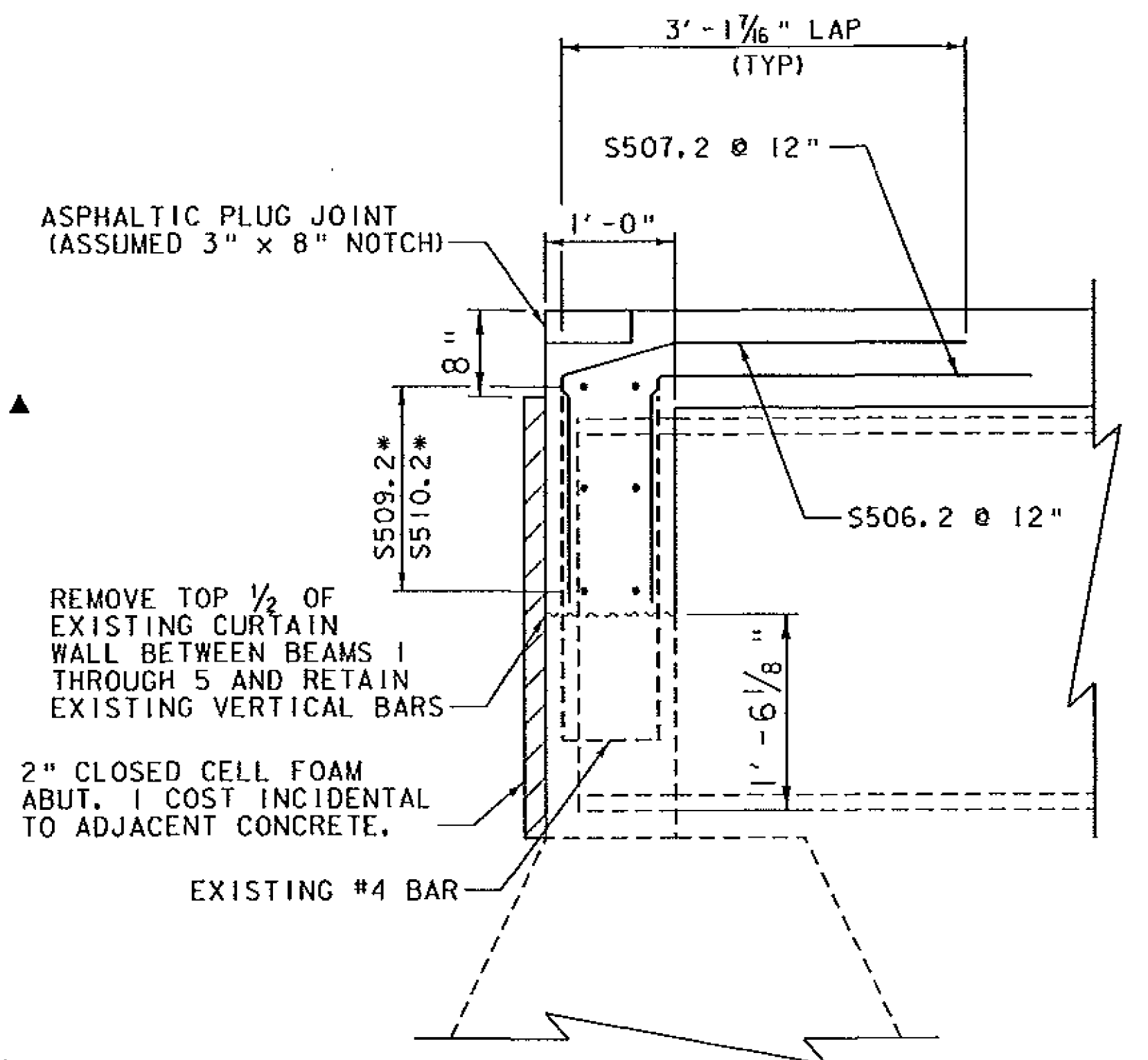


SHEAR STUD LAYOUT
SCALE: 1/2" = 1'-0"

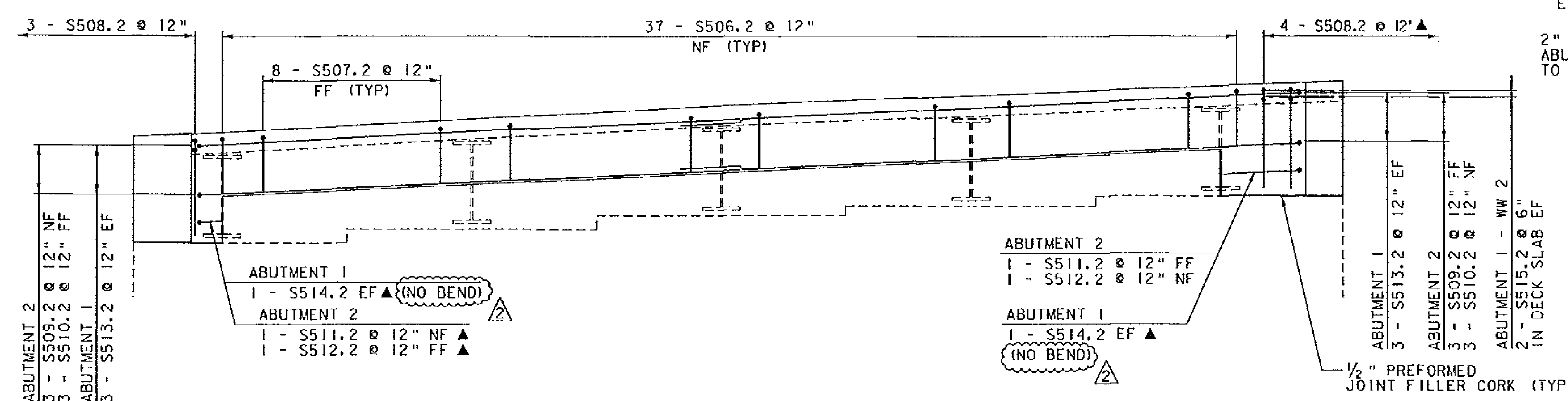
NOTE:
NF = NEAR FACE
FF = FAR FACE
EF = EACH FACE
▲ = CUT TO FIT IN FIELD
3" CLEAR, UNLESS OTHERWISE SPECIFIED ON THE PLANS.
2'-2" BAR LAP UNLESS OTHERWISE SPECIFIED ON THE PLANS.



ABUTMENT 2 CURTAIN WALL REINFORCING PLAN
SCALE: 3/8" = 1'-0"



CURTAIN WALL TYPICAL SECTION
SCALE: 3/4" = 1'-0"



CURTAIN WALL REINFORCING ELEVATION
SCALE: 3/8" = 1'-0"

REV.	DESCRIPTION	DATE
1	REBAR S514.2 IS A STRAIGHT BAR	3/3/2014



PROJECT NAME: HARTLAND	PLOT DATE: 3/3/2014
PROJECT NUMBER: BHF BPNT (12)	DRAWN BY: A.J. GOUDREAU
FILE NAME: z10c260deck.dgn	CHECKED BY: S.G. FARNSWORTH
PROJECT LEADER: M.A. COLGAN	BR 62A CURTAIN WALL/SHEAR STUD LAYOUT SHEET 25 OF 55
DESIGNED BY: A.J. GOUDREAU	