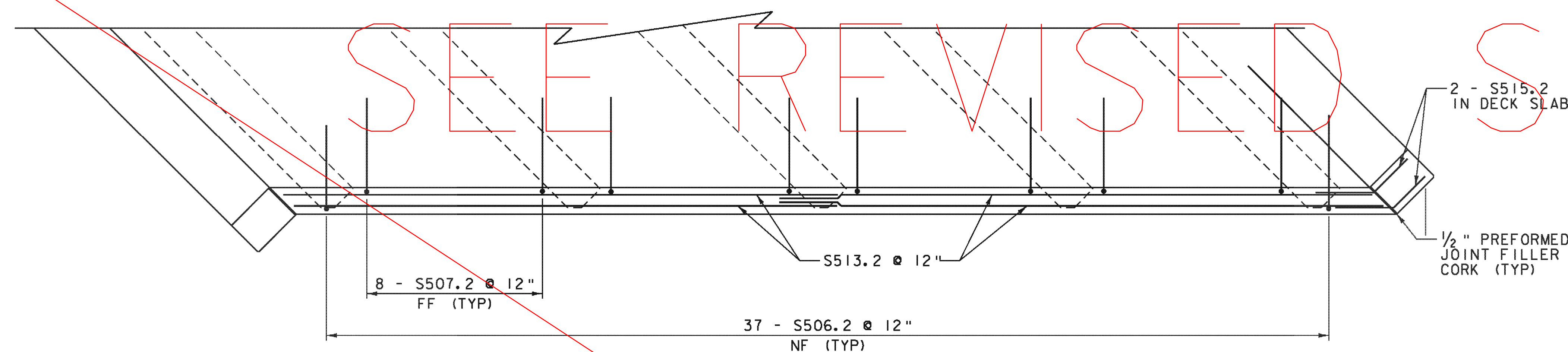
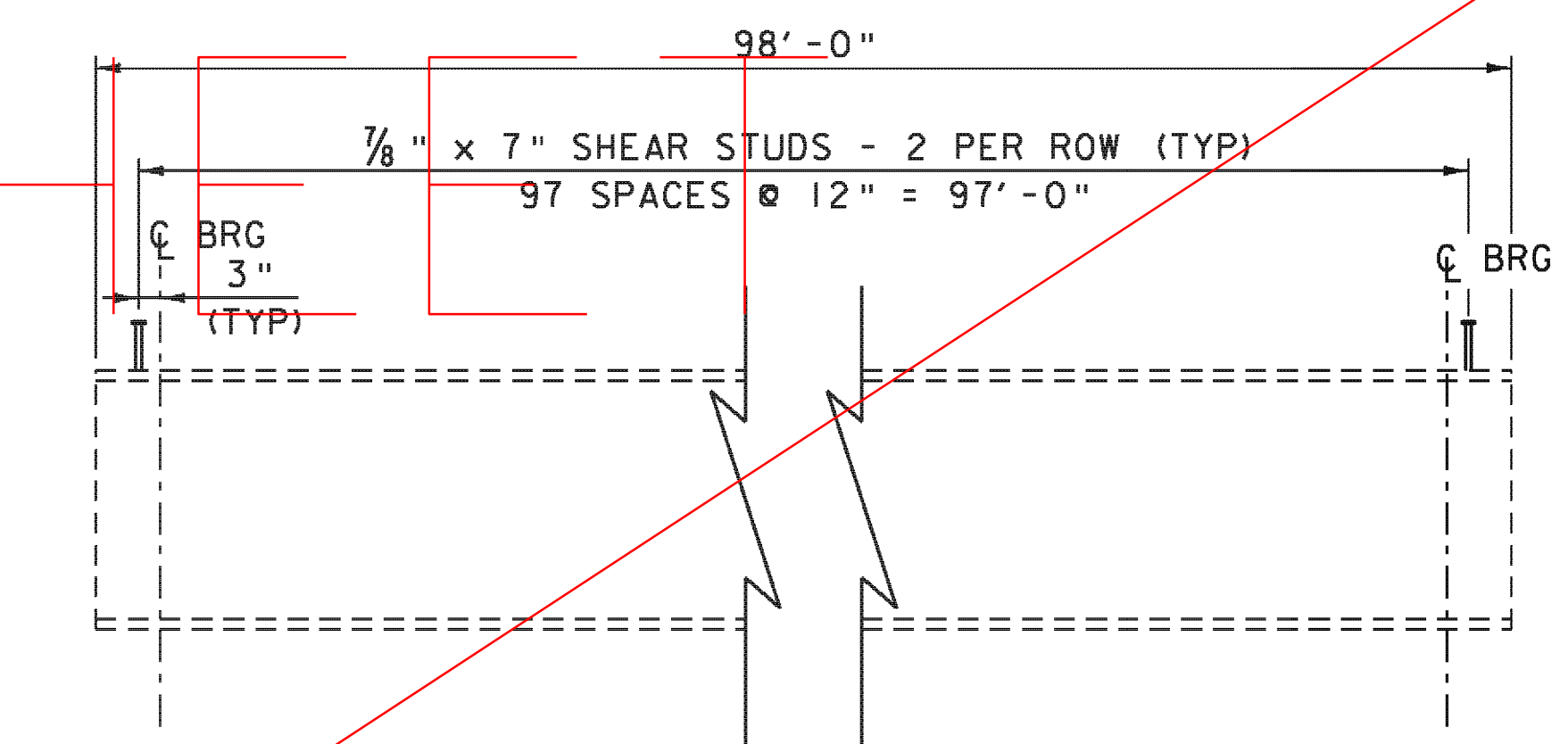


SEE REVISED

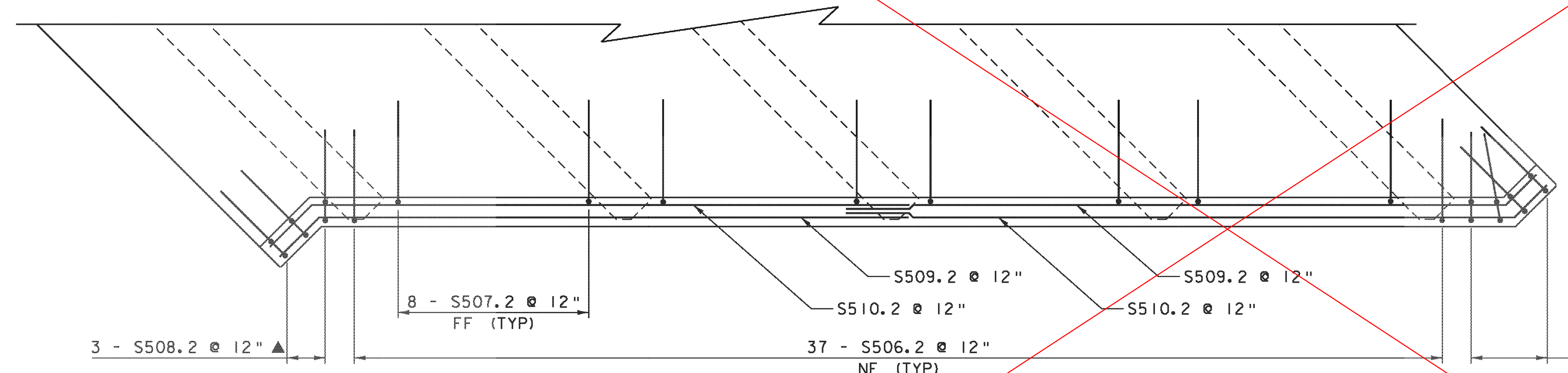


**ABUTMENT 1 CURTAIN WALL REINFORCING PLAN**  
SCALE: 3/8" = 1'-0"

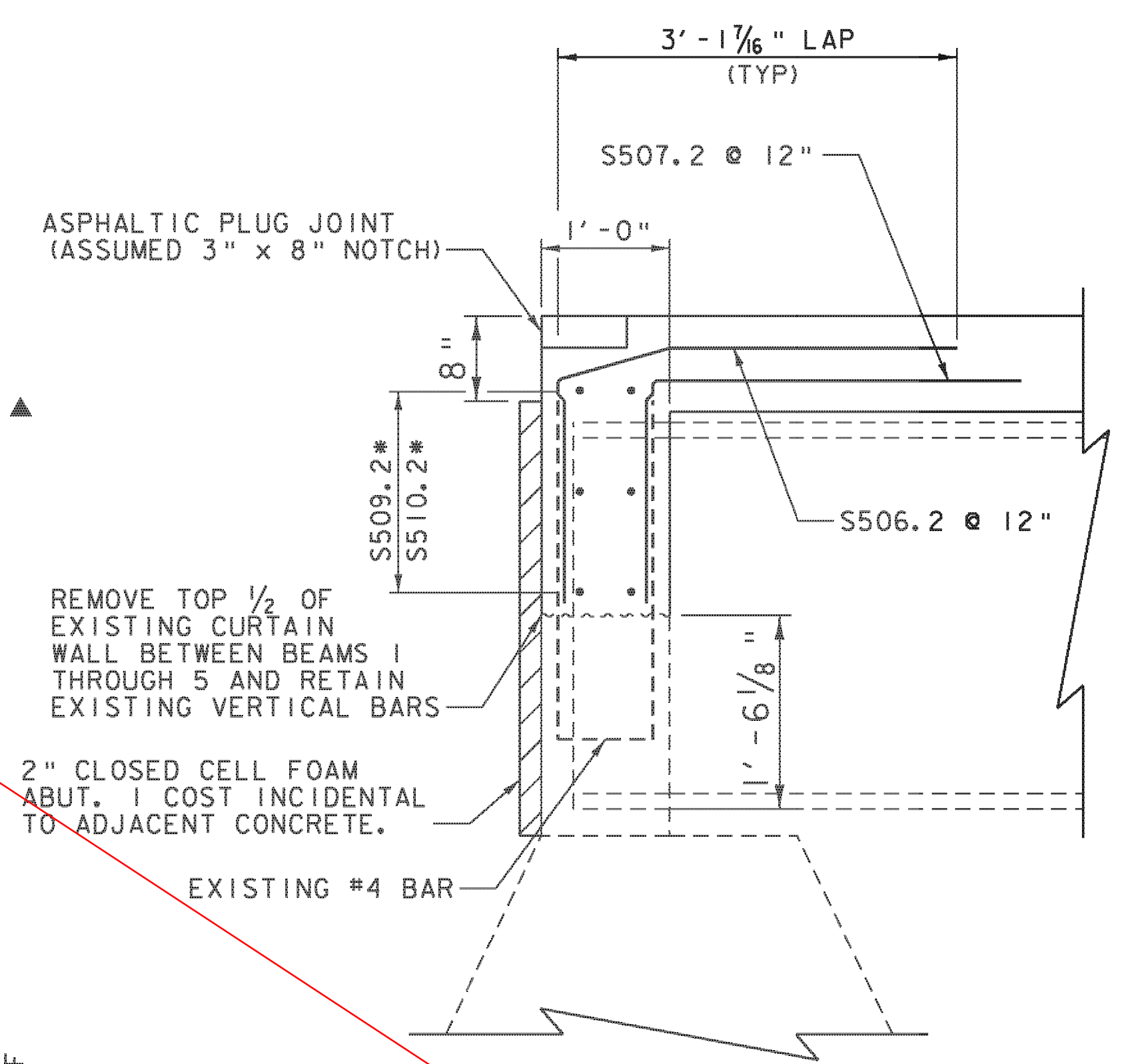


**SHEAR STUD LAYOUT**  
SCALE: 1/2" = 1'-0"

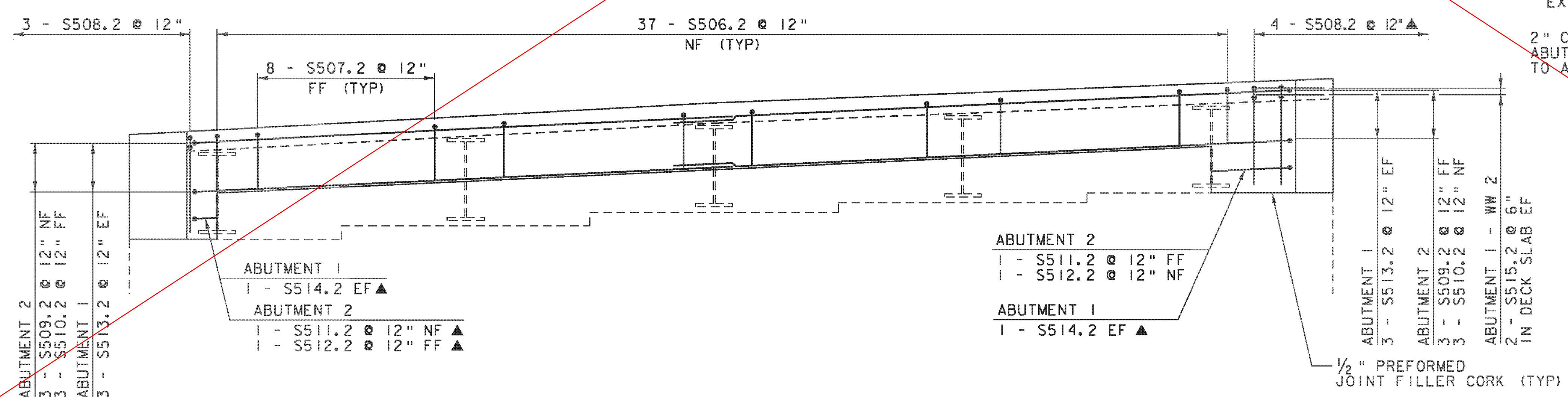
**NOTE:**  
 NF = NEAR FACE  
 FF = FAR FACE  
 EF = EACH FACE  
 ▲ = CUT TO FIT IN FIELD  
 3" CLEAR, UNLESS OTHERWISE SPECIFIED ON THE PLANS.  
 2'-2" BAR LAP UNLESS OTHERWISE SPECIFIED ON THE PLANS.



**ABUTMENT 2 CURTAIN WALL REINFORCING PLAN**  
SCALE: 3/8" = 1'-0"



**CURTAIN WALL TYPICAL SECTION**  
SCALE: 3/4" = 1'-0"



**CURTAIN WALL REINFORCING ELEVATION**  
SCALE: 3/8" = 1'-0"

PROJECT NAME:	HARTLAND	FILE NAME:	zllc260deck.dgn	PLOT DATE:	1/2/2014
PROJECT NUMBER:	BHF BPNT (I2)	PROJECT LEADER:	M.A. COLGAN	DRAWN BY:	A.J. GOUDREAU
		DESIGNED BY:	A.J. GOUDREAU	CHECKED BY:	S.G. FARNSWORTH
					BR 62A CURTAIN WALL/SHEAR STUD LAYOUT SHEET 25 OF 55

