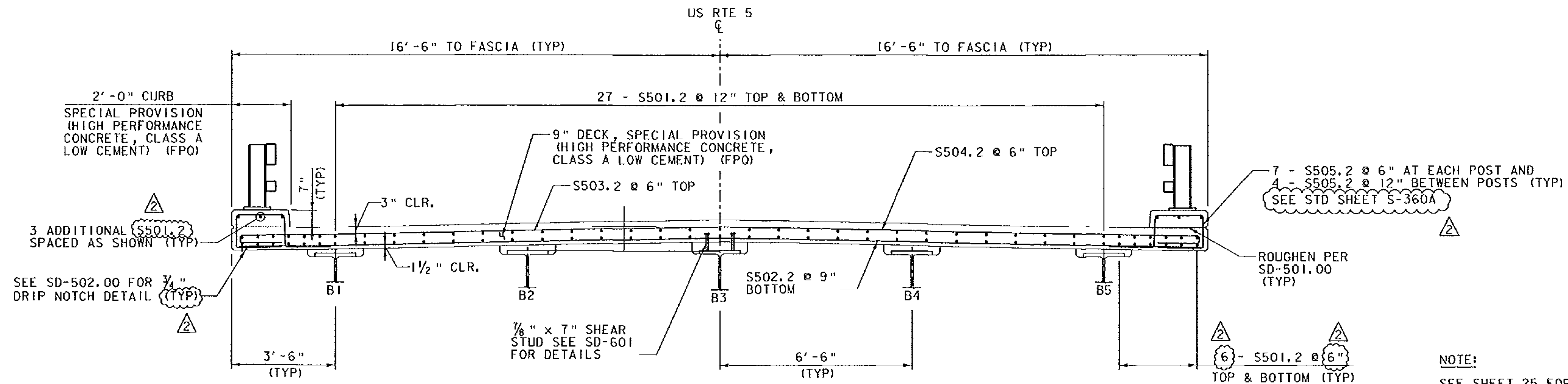


DECK REINFORCING PLAN

SCALE 3/16" = 1'-0"



TYPICAL DECK REINFORCEMENT

SCALE: 1/2" = 1'-0"

NOTE:
 NF = NEAR FACE
 FF = FAR FACE
 EF = EACH FACE
 ▲ = CUT TO FIT IN FIELD
 3" CLEAR, UNLESS OTHERWISE SPECIFIED ON THE PLANS.
 2'-2" BAR LAP UNLESS OTHERWISE SPECIFIED ON THE PLANS.

NOTE:
 SEE SHEET 25 FOR CURTAIN WALL REINFORCING PLAN

REV.	DESCRIPTION	DATE
2	REBAR QUANTITY, SIZE, AND SPACING	3/3/2014



PROJECT NAME: HARTLAND	PLOT DATE: 3/3/2014
PROJECT NUMBER: BHF BPNT (12)	DRAWN BY: A.J. GOUDREAU
FILE NAME: zllc260deck.dgn	CHECKED BY: E.A. FIALA
PROJECT LEADER: M.A. COLGAN	SHEET 24 OF 55
DESIGNED BY: A.J. GOUDREAU	
BR 62A DECK REINFORCING	