

MATERIAL TOLERANCES
(IF USED ON PROJECT)

	TOTAL DEPTH FOR EACH MATERIAL
SURFACE	
- PAVEMENT	+/- 1/4"
- AGGREGATE SURFACE COURSE	+/- 1/2"
BASE COURSE	+/- 1/2"
SUBBASE	+/- 1"
SAND BORROW	+/- 1"
GRANULAR BORROW	+/- 1"

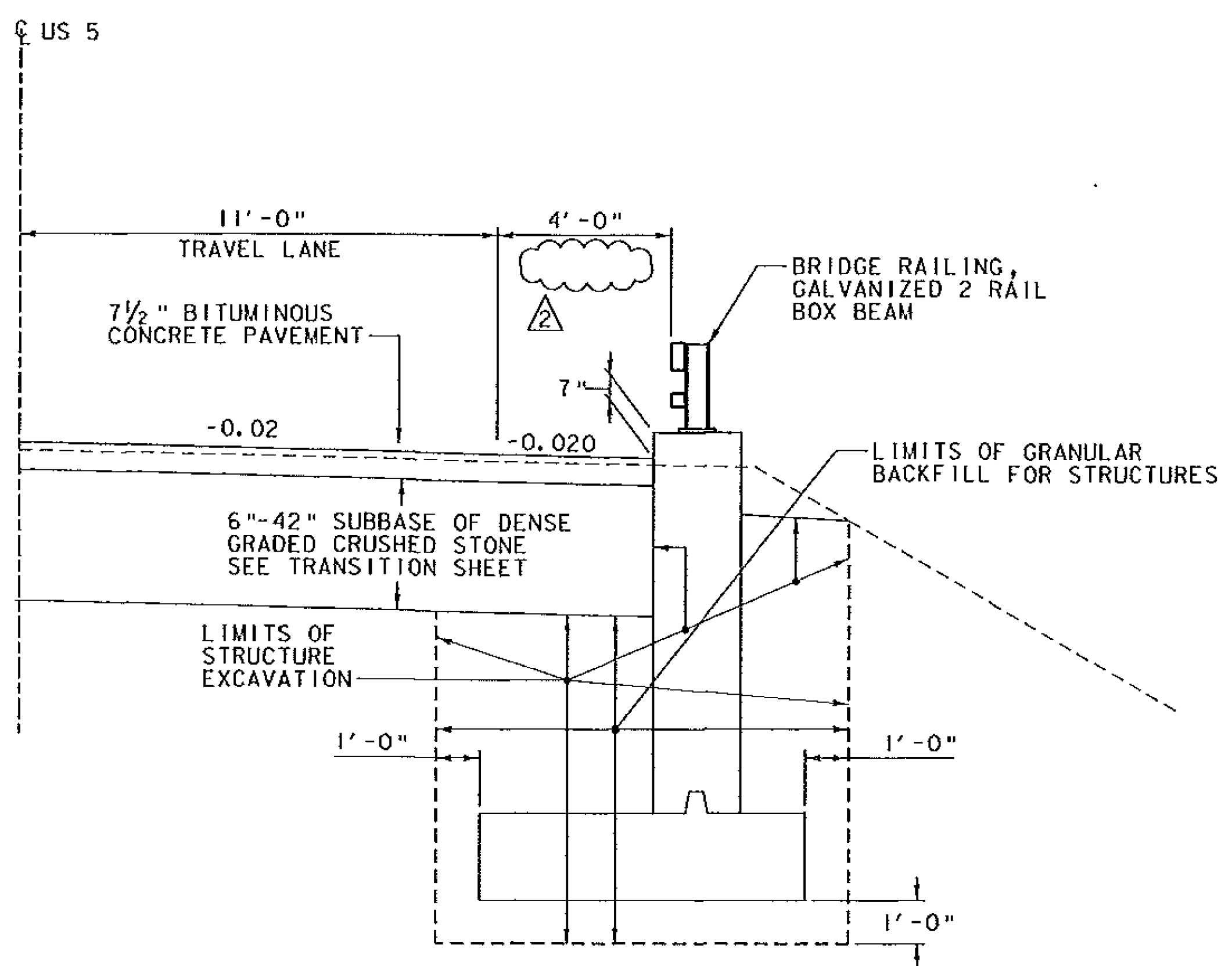
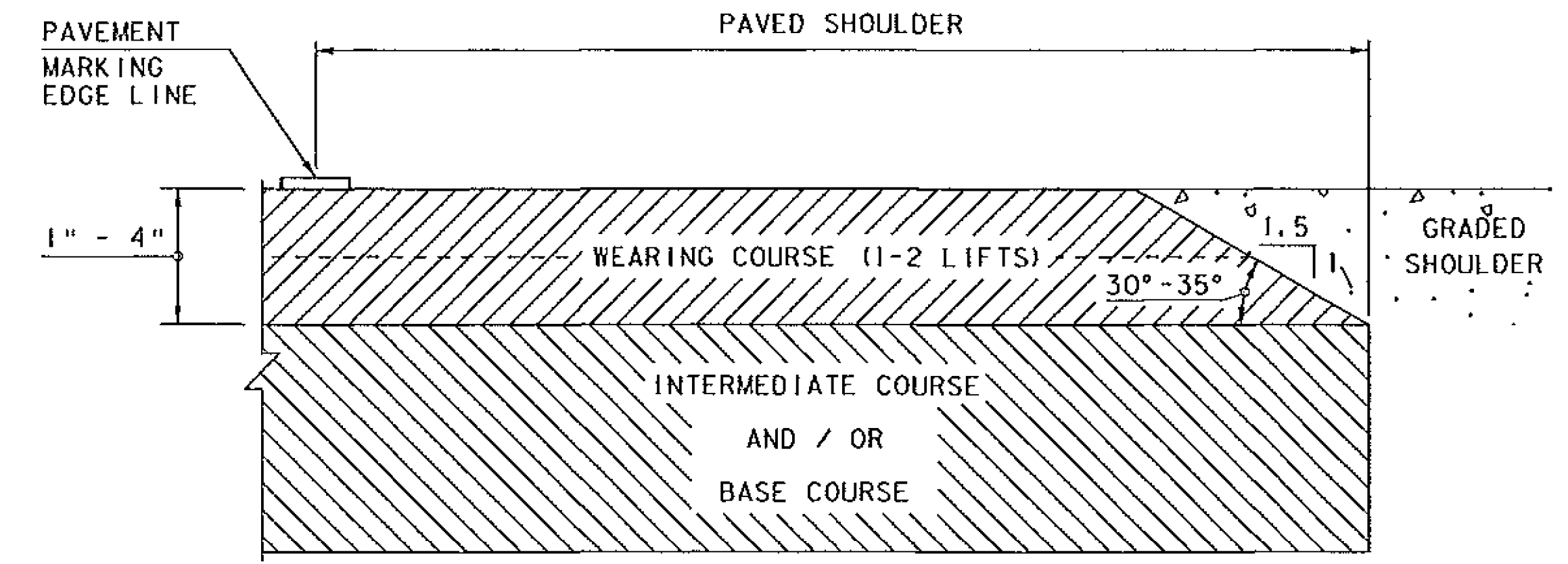
- * 1 1/4" TYPE 1VS WEARING COURSE OVER
- 1 1/4" TYPE 1VS BINDER COURSE OVER
- 2 1/2" TYPE 1IS BASE COURSE OVER
- 2 1/2" TYPE 1IS BASE COURSE

** AFTER ABUTMENT 2, ROADWAY BANKING TO THE LEFT TO A MAXIMUM OF 0.035

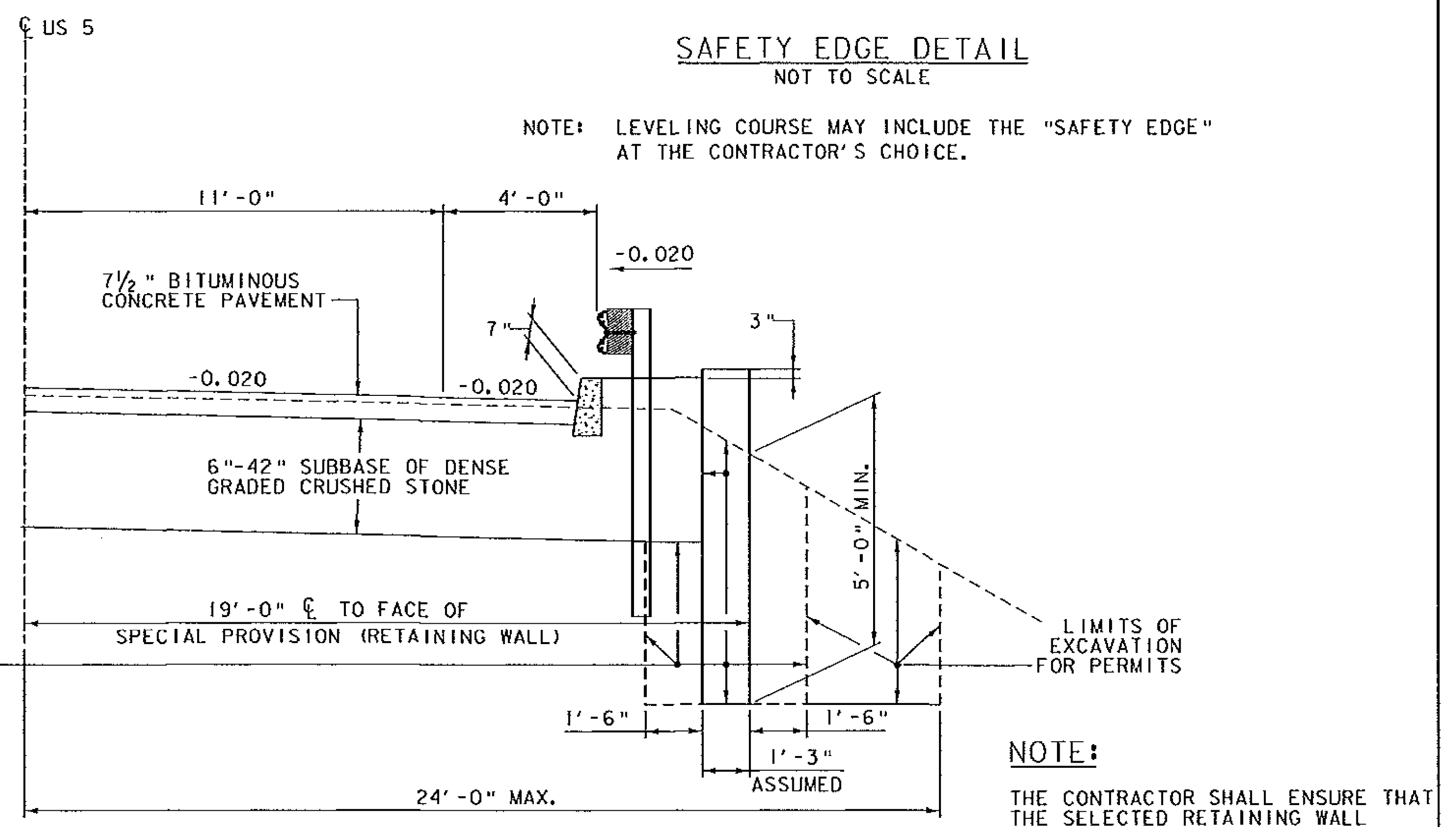
NOTE: PAVEMENT SHALL BE UNDER THE ITEM 900.680, "SPECIAL PROVISION (BITUMINOUS CONCRETE PAVEMENT, SMALL QUANTITY)".

TACK COATS OF EMULSIFIED ASPHALT SHALL BE APPLIED AT THE RATE OF 0.040 GAL/SY BETWEEN SUCCESSIVE COURSES OF PAVEMENT OR AS DIRECTED BY THE ENGINEER.

US 5 TYPICAL ROADWAY SECTION
SCALE: 1" = 5'



WINGWALL TYPICAL EARTHWORKS SECTION
N. T. S.



SPECIAL PROVISION (RETAINING WALL)
N. T. S.

EXCAVATION AND BACKFILL PAID FOR UNDER ITEM 900.670, "SPECIAL PROVISION (RETAINING WALL)"

NOTE: LEVELING COURSE MAY INCLUDE THE "SAFETY EDGE" AT THE CONTRACTOR'S CHOICE.

NOTE: THE CONTRACTOR SHALL ENSURE THAT THE SELECTED RETAINING WALL SYSTEM DOES NOT CONFLICT WITH THE GUARDRAIL INSTALLATION.

REV.	DESCRIPTION	DATE
△	REMOVED THE WORD "SHOULDER"	3/3/2014



PROJECT NAME: HARTLAND	PLOT DATE: 3/3/2014
PROJECT NUMBER: BHF BPNT(I2)	DRAWN BY: A.J. GOUDREAU
FILE NAME: zllc260+yp.dgn	CHECKED BY: S.G. FARNSWORTH
PROJECT LEADER: M.A. COLGAN	SHEET 4 OF 55
DESIGNED BY: S.G. FARNSWORTH	
BR 62A TYPICAL ROADWAY SECTIONS	