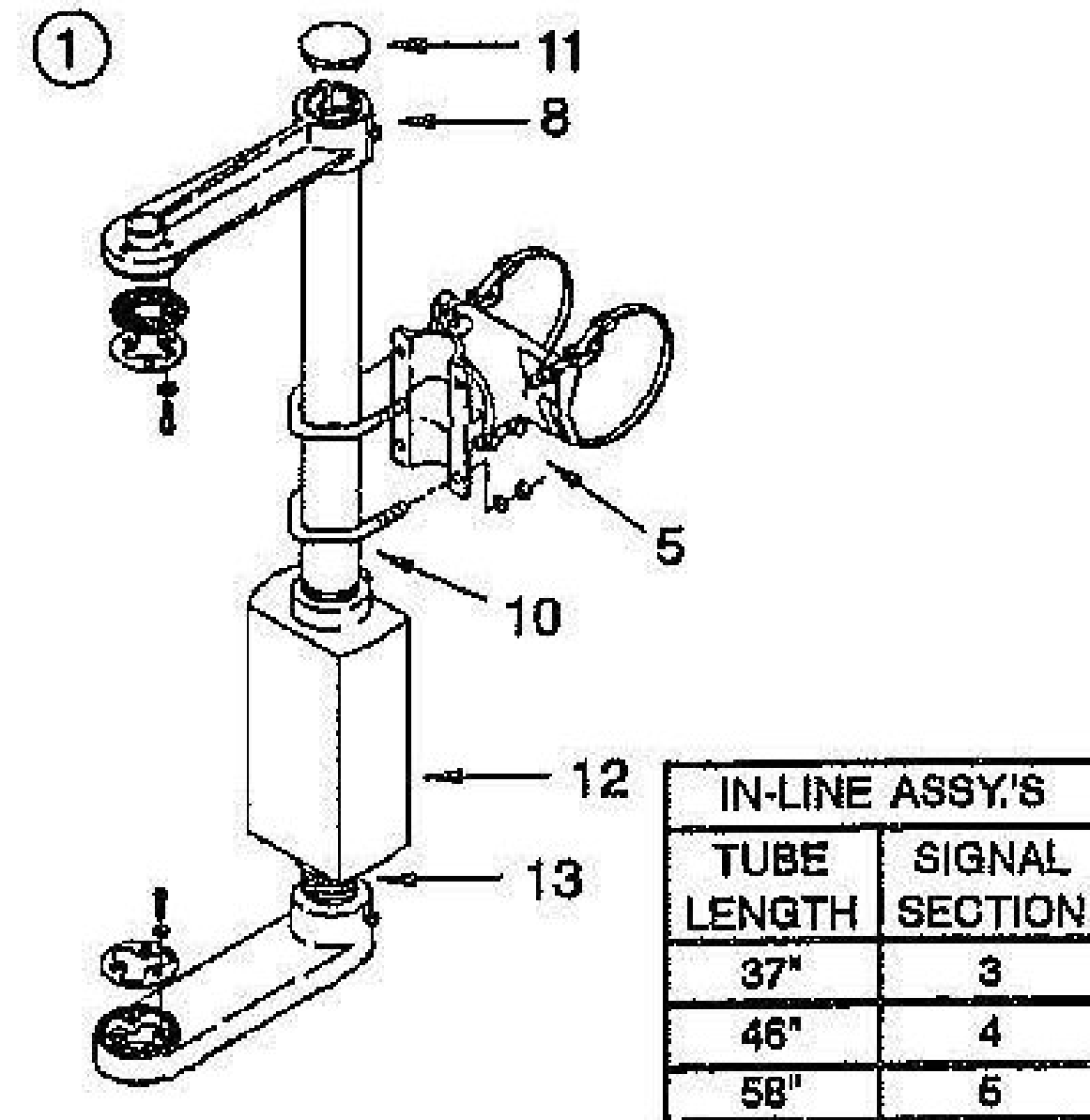


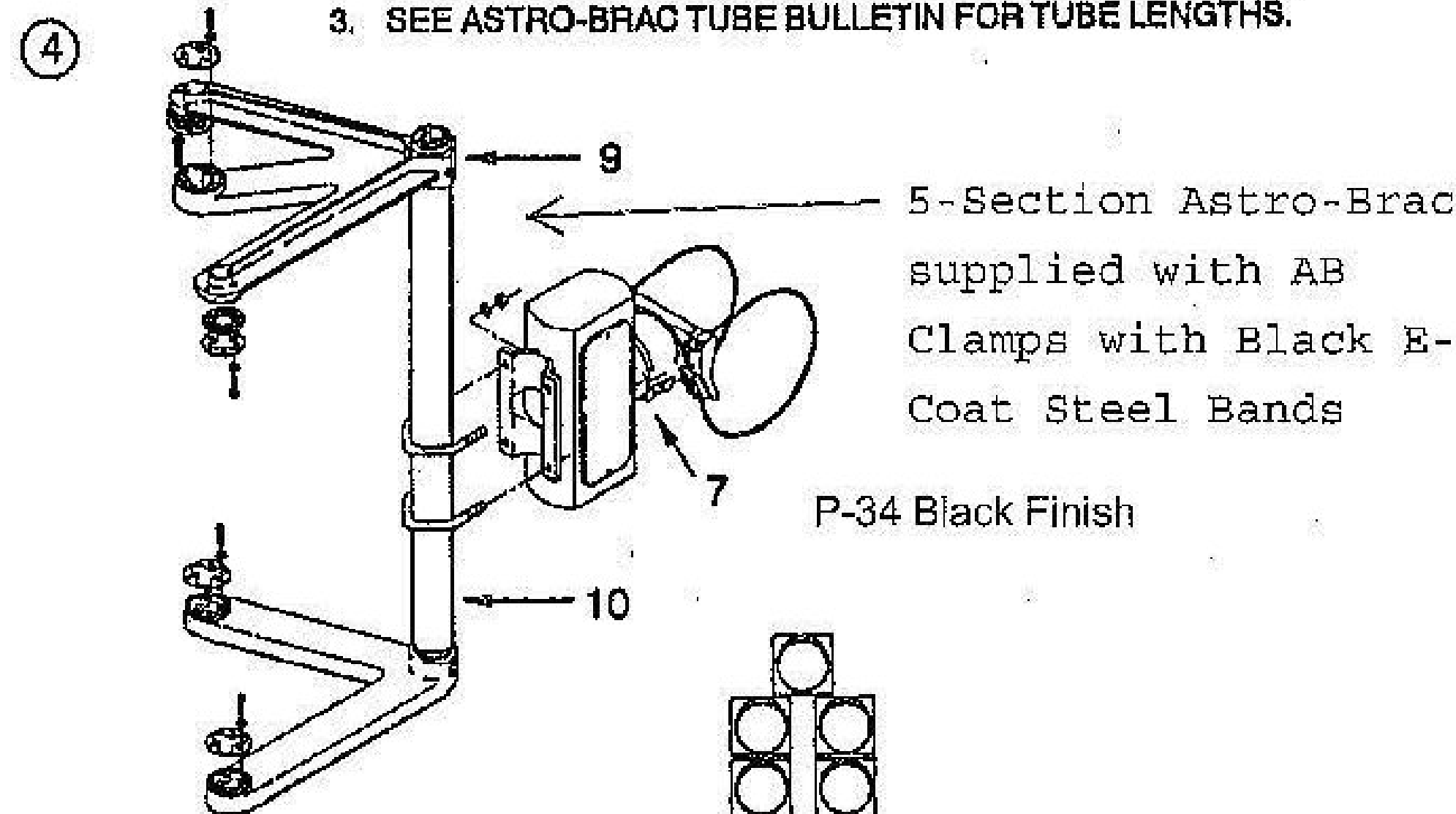
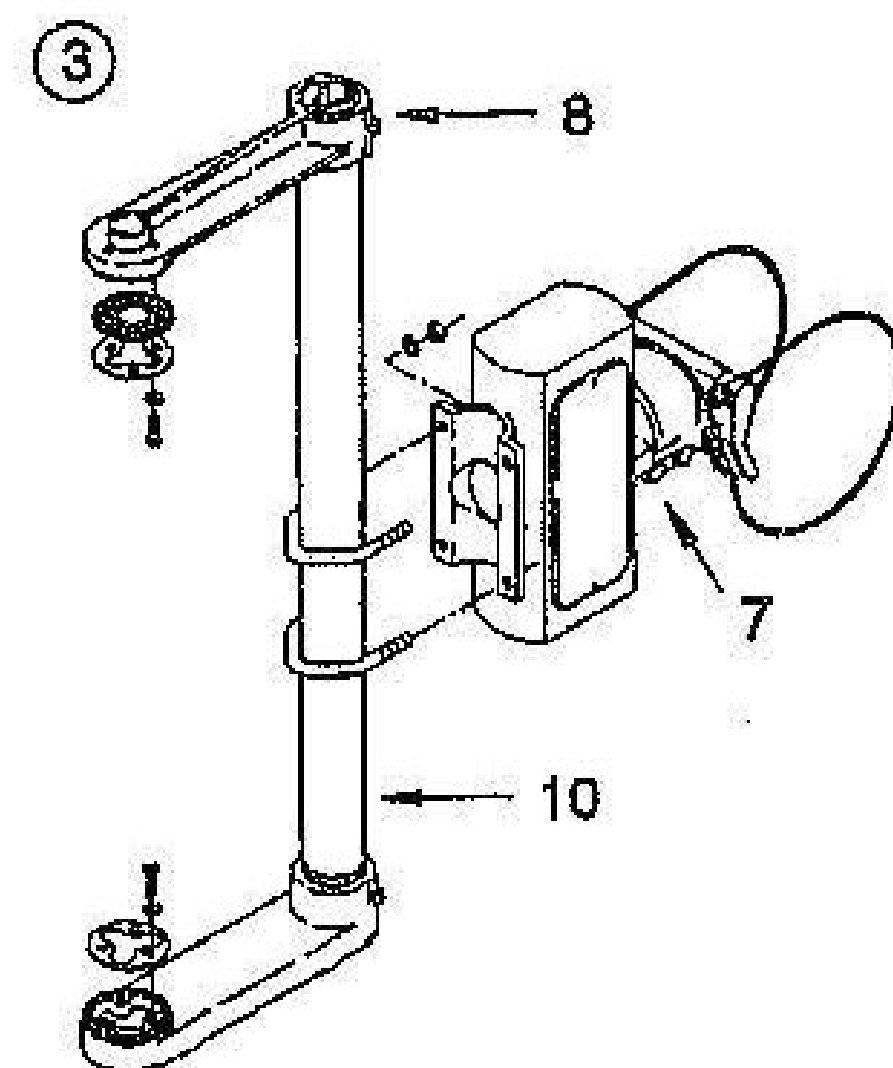
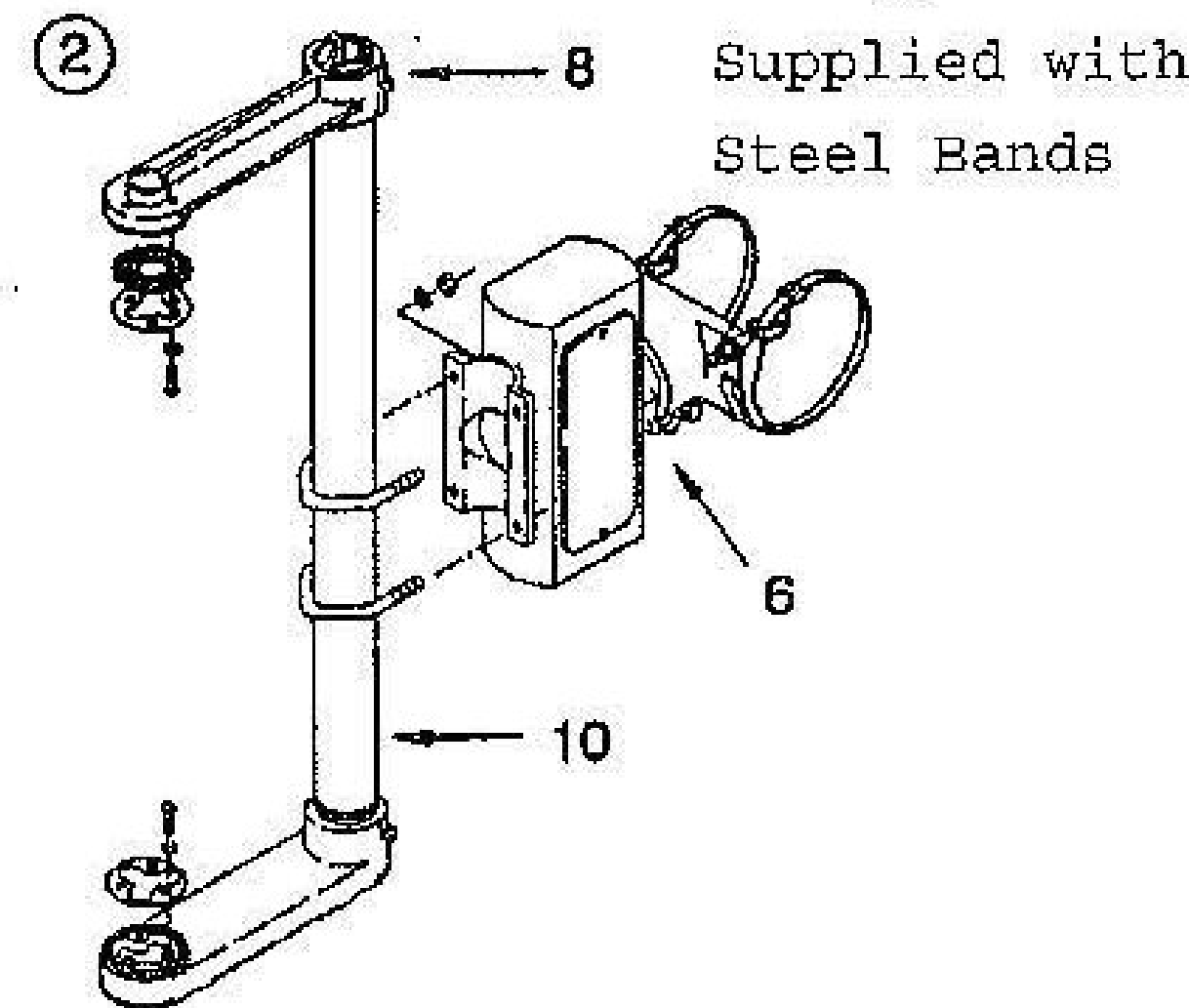


Astro-Brac

TERMINAL COMPARTMENT BRACKETS



IN-LINE ASSY'S	
TUBE LENGTH	SIGNAL SECTION
37"	3
46"	4
58"	6



The Astro-Brac in its various configurations is a truly universal system for mounting signals.

When the Astro-Brac is required to have a terminal compartment take your pick of in-line or integral clamp kit terminal compartments without sacrificing adjustability.

ITEM	DESCRIPTION	PART NO.
①	1-WAY BRACKET ASSEMBLY w/ In-Line Terminal Compartment, Band Mount	AB-0112-L-L
②	1-WAY BRACKET ASSEMBLY w/ Mark I Terminal Compartment, Band Mount	AB-0140-L-L
③	1-WAY BRACKET ASSEMBLY w/ Mark I Terminal Compartment, Cable Mount	AB-0146-L-L
④	5-SECTION CLUSTER ASSEMBLY w/ Mark I Terminal Compartment, Cable Mount	AB-0147-L-L
5	STANDARD ASTRO-BRAC ASSY., Band Mount	AB-3004-L
6	ASTRO-BRAC CLAMP KIT, w/ Mark I Terminal Compartment, Band Mount	AB-3016-L
7	ASTRO-BRAC CLAMP KIT, w/ Mark I Terminal Compartment, Cable Mount	AB-3025-L
8	ARM KIT, Standard 9"	AB-4000
9	ARM KIT, 5-Section Cluster	AB-5001
10	GUSSETED TUBE w/ Vinyl Insert	AB-2003-L
11	TUBE CAP	AB-0260
12	IN-LINE TERMINAL COMPARTMENT, Flat Back	SE-3101
13	ALLTHREAD NIPPLE, Alum., 1½" x 2-1/8"	SE-0309-02.13

NOTES:

- PLEASE SPECIFY TUBE SECTION & BAND OR CABLE LENGTH REQUIRED, i.e., AB-0140-3-29 FOR A STANDARD 1-WAY 3 SECTION ASSEMBLY W/ 29" BANDS.
- SEE ASTRO-BRAC CLAMP KIT BULLETINS FOR BAND & CABLE LENGTHS AVAILABLE.
- SEE ASTRO-BRAC TUBE BULLETIN FOR TUBE LENGTHS.