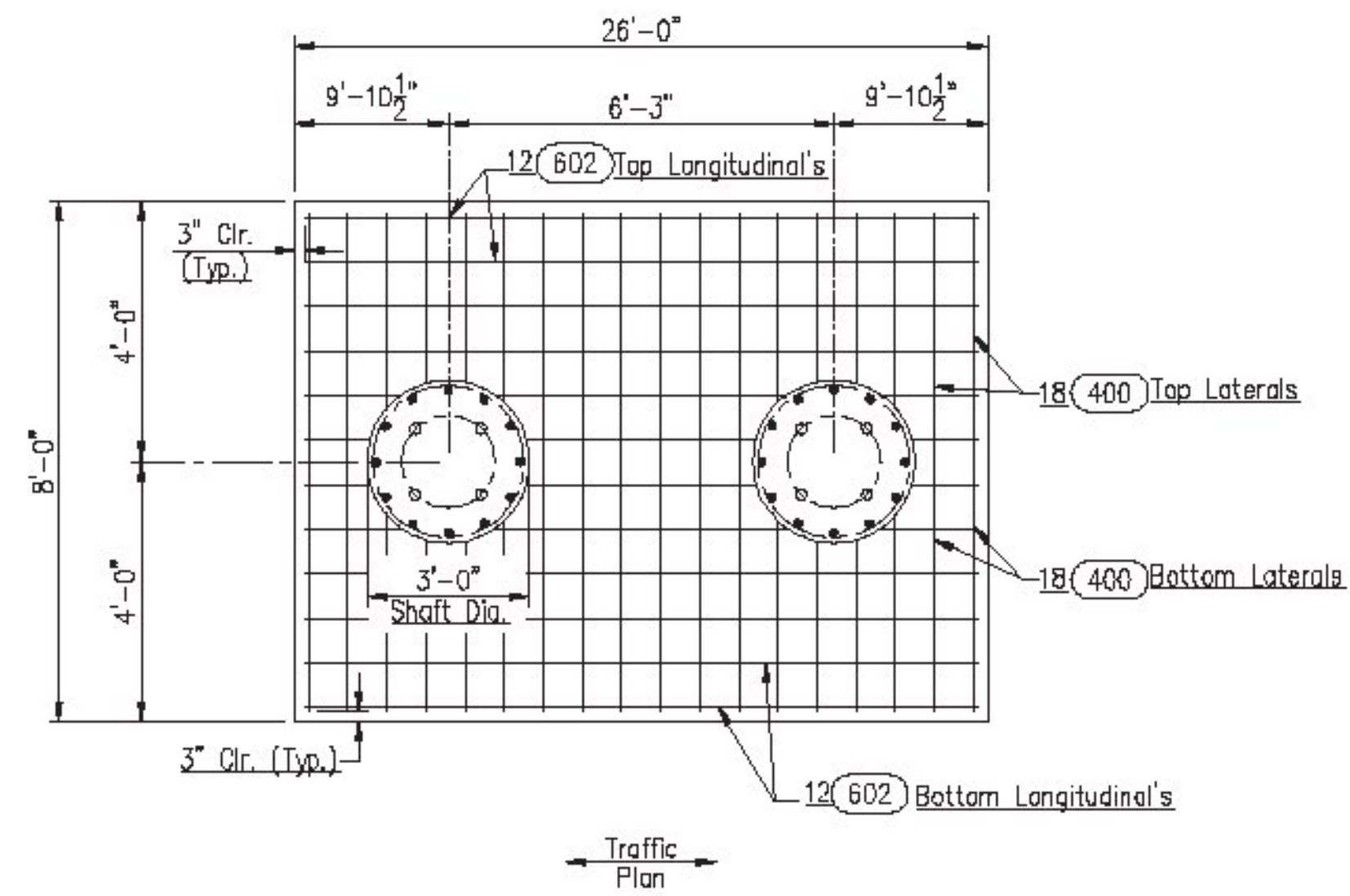
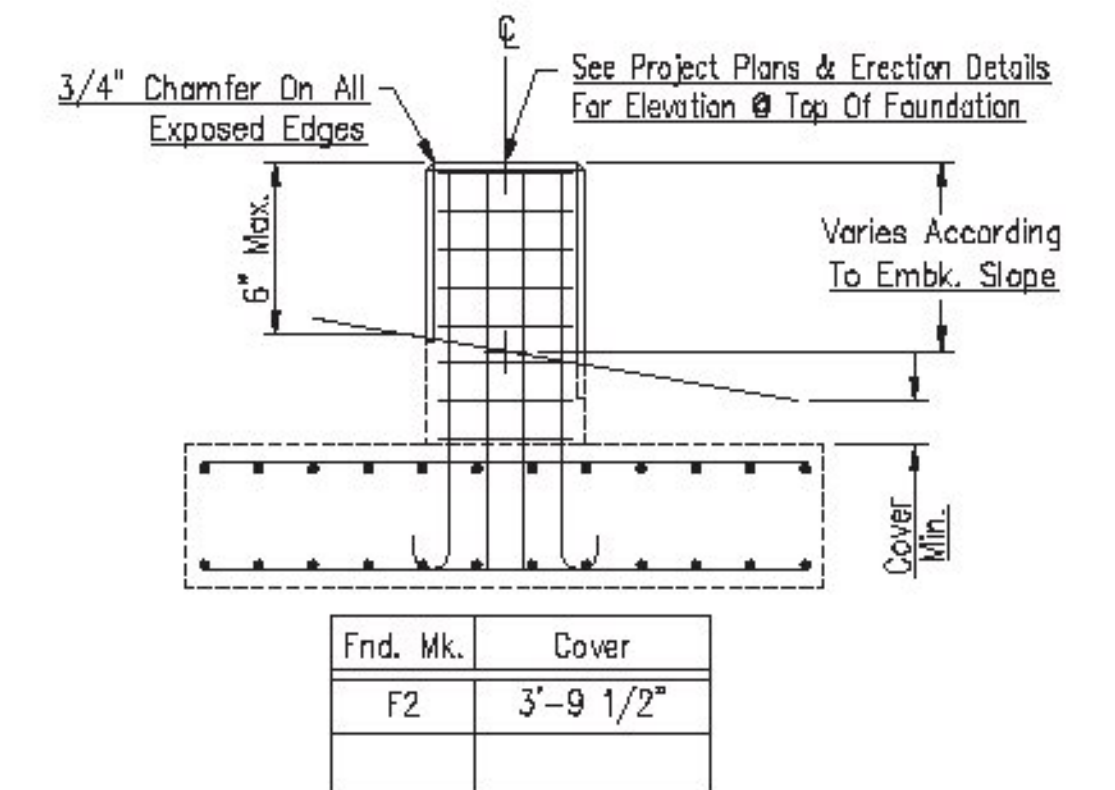
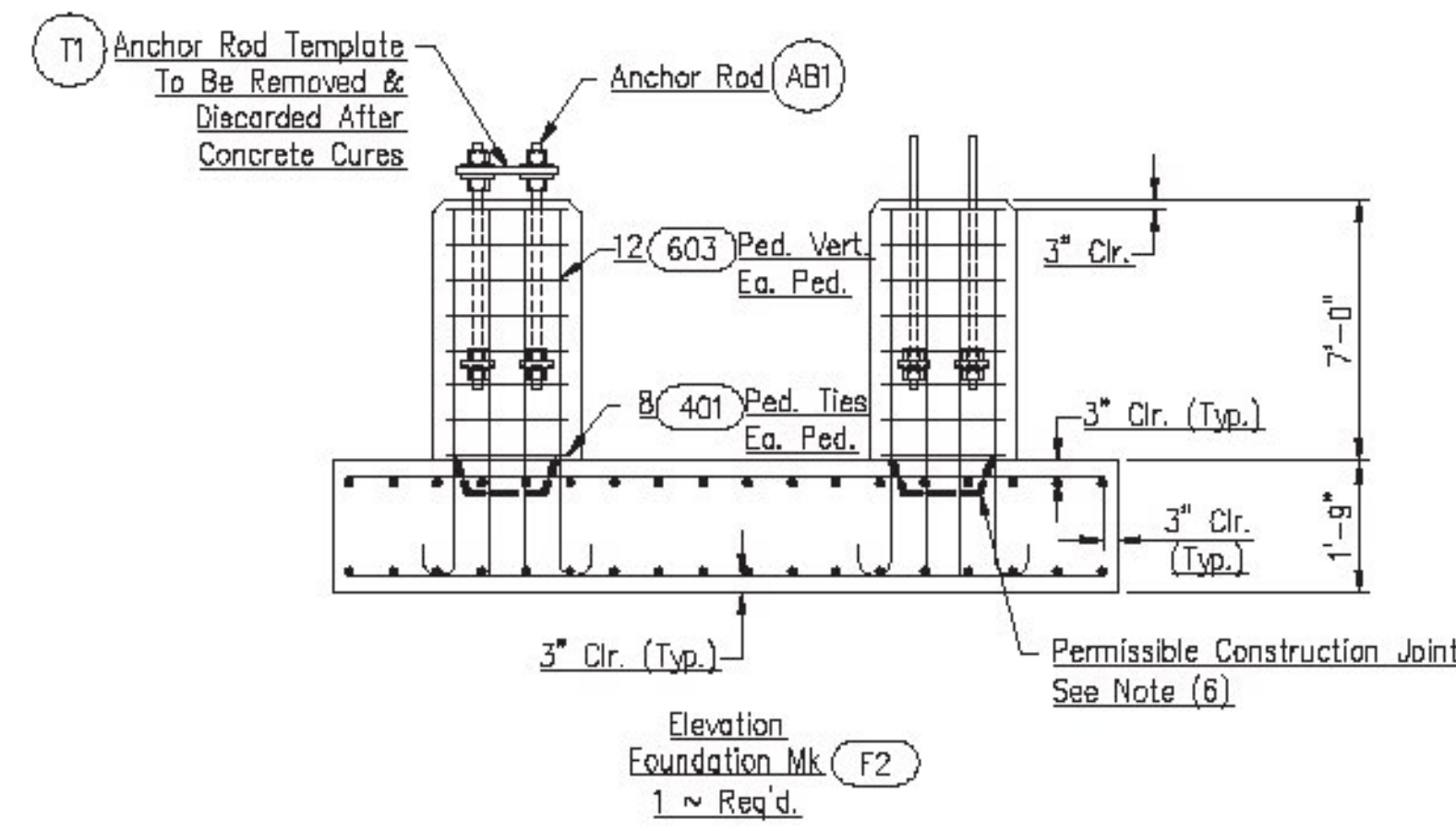
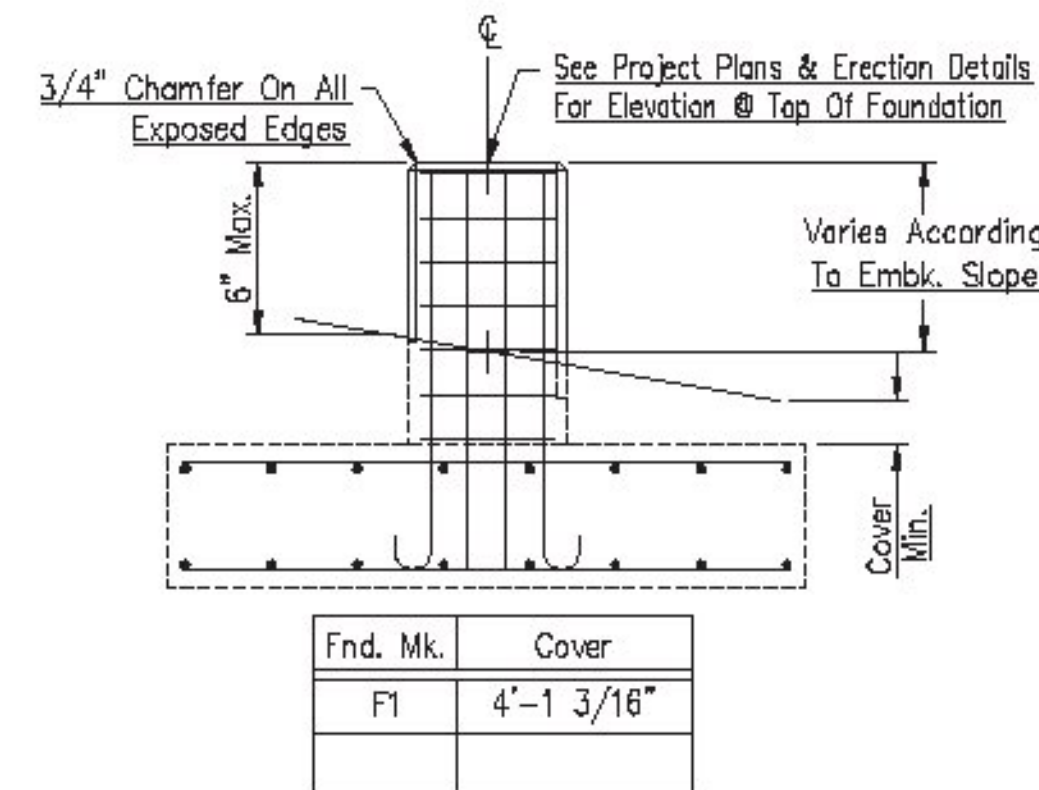
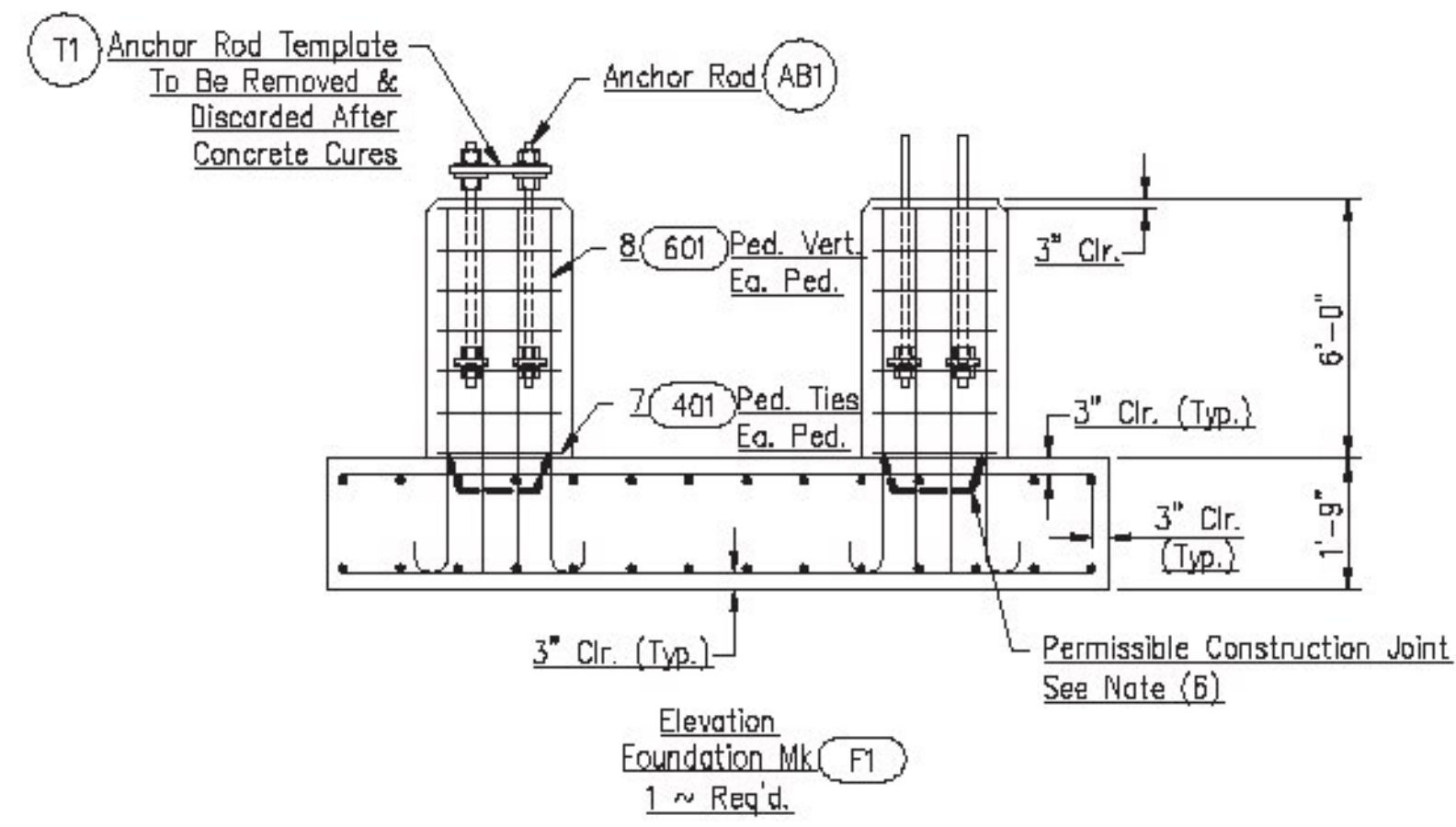
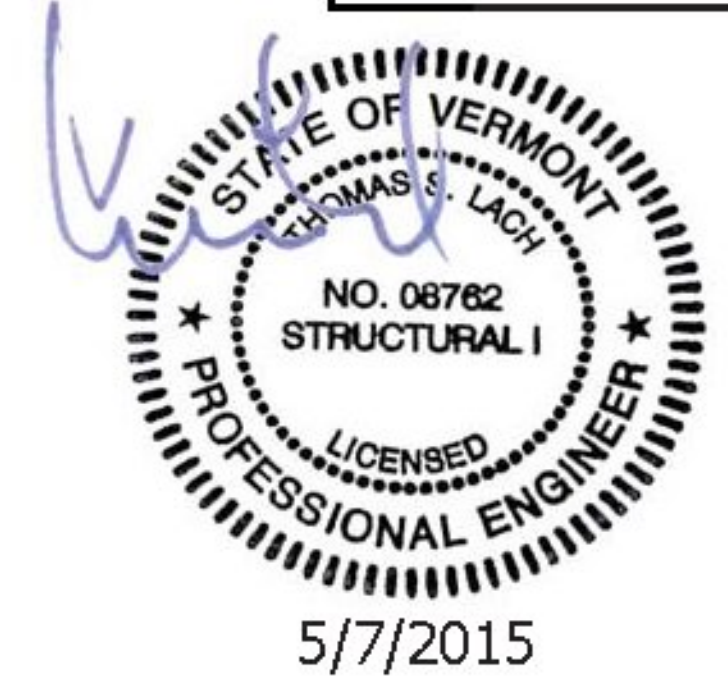


Note:
 3.00 KSI Min. Bearing Pressure
 120 PCF Min. Soil Density
 13.5 Cubic Yds. Of Concrete
 890 Lbs. Of Reinforcing Steel
 1 1/2 "ø Anchor Bolts
 18 " Bolt Circle
 Water Table Level:
 Water Level @ 21.7 Ft.



Note:
 3.00 KSI Min. Bearing Pressure
 120 PCF Min. Soil Density
 17.1 Cubic Yds. Of Concrete
 1527 Lbs. Of Reinforcing Steel
 1 1/2 "ø Anchor Bolts
 18 " Bolt Circle
 Water Table Level:
 No Water Shown In Soil Borings



Reinforcing Schedule
 Steel Deformed Bars Shall Meet The Requirements Of A.S.T.M. A615, Gr.60

- NOTES:
- Fabricator Shall Furnish Anchor Rods & Templates Only. All Other Foundation Material Will Be Supplied By Others.
 - Foundations & Construction Methods Shall Meet Requirements Of VT Standard Specifications.
 - Minimum Soil Density Req'd. For These Foundations Is Shown On Individual Foundation Details. Minimum Compressive Strength Of Concrete: 4KSI. Steel Reinf. Bars Shall Meet Requirements Of A.S.T.M. A615, Gr. 60.
 - Backfill Shall Be In Place & Compacted To Satisfaction Of The Engineer Before Erection Of End Column.
 - See Foundation Details For Possible Water Table. If Site Condition Varies From What Is Shown, Notify Designer.
 - When Permissible Construction Joint Is Used, A 12" x 12" x 6" Deep Shear Key Shall Be Used At The Center Of The Pedestal. The Area Shall Be Cleaned And A VT Standard Spec. Approved Bonding Agent Shall Be Applied To The Concrete Surface Of The Raft Prior To Pouring The New Concrete For The Pedestal.

Pedestal Verticals

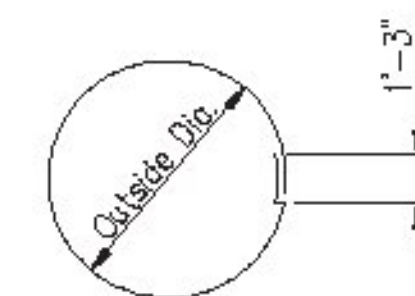
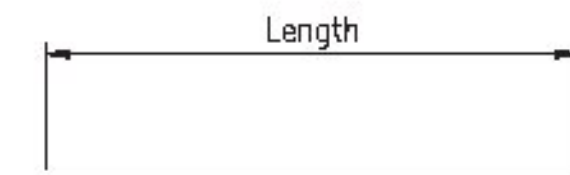
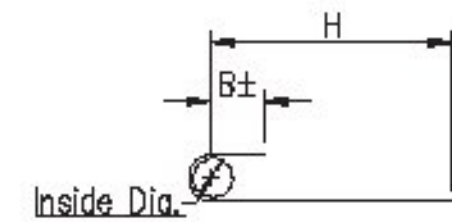
Qty.	Mk.	Bar Size	Inside Dia.	H	B	Length
16	601	#6	4 1/2"	7'-0"	6"	8'-3"
24	603	#6	4 1/2"	8'-0"	6"	9'-3"

Straight
(Lateral & Longitudinal)

Qty.	Mk.	Bar Size	Length
64	400	#4	7'-6"
16	600	#6	19'-6"
24	602	#6	25'-6"

Circle
(Pedestal Ties)

Qty.	Mk.	Bar Size	Outside Dia.	Length (Before Bend)
30	401	#4	2'-6"	8'-11 11/16"



PRINTS ISSUED				REVISIONS				
FOR	NO.	DATE	FOR	NO.	DATE	NO.	DATE	DESCRIPTION

Brookfield Fabricating Corp
 P.O. Box 406 - Brookfield, Missouri 64628 - (660)258-2214

Customer: Lafayette Highway Specialties P.O. No: 29510

Project: Project No: STPG SGNL(40)
 Washington County, Vermont

Description: Foundation Details Of Spread Footings
 Sta. 68+88.96, RT - Sta. 68+89.05, LT

Printed For: Vermont
 Drawn By: JF
 Date: 03/05/15

Checked By: CR
 Date: 03/19/15

Job No: VT-13675
 Rev. 3 of 9