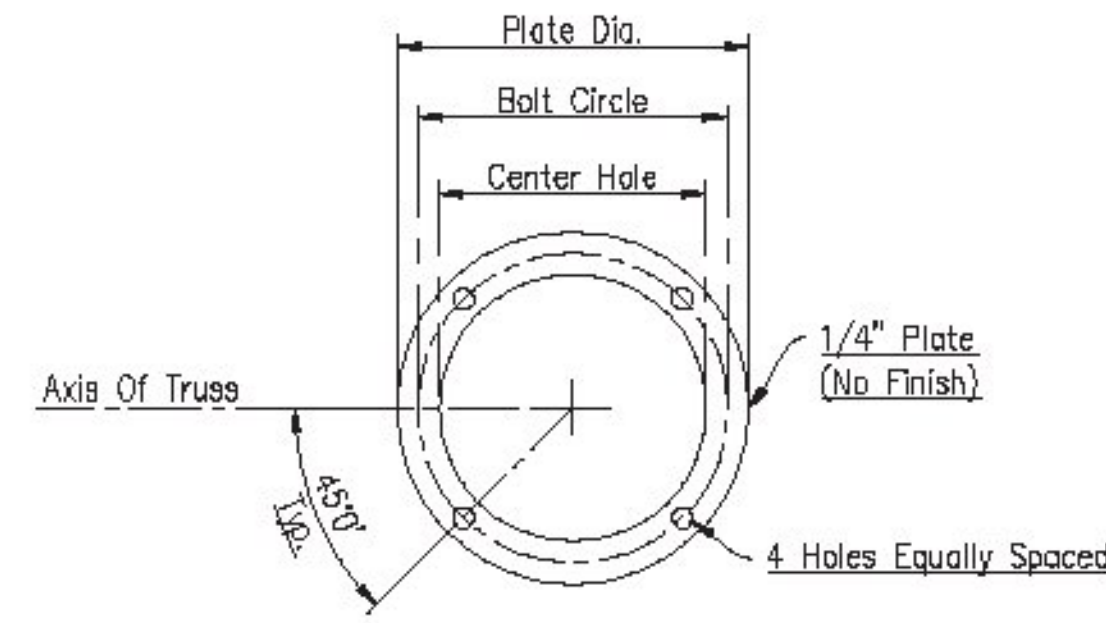


## Bill Of Materials

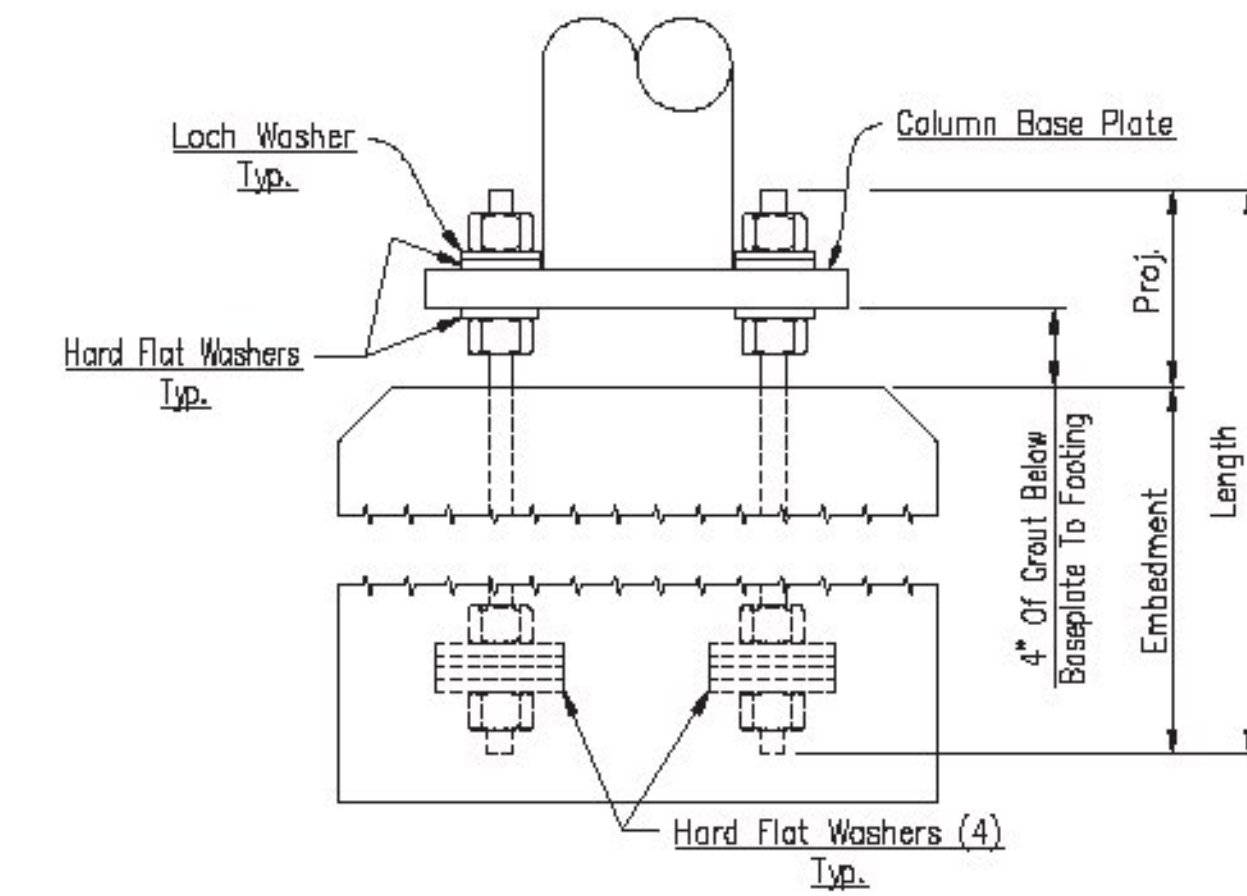
Qty.	Mk	Description	Length	Remarks	Inventory No.
4	T1	PL 1/4" x 1'-9" Dia.	-	Black	PL.25Z
16	AB1	1 1/2" S.S. Rod	4'-2"		ABSS12-400R72-38**
64	-	1 1/2" S.S. Hex Nut	-		NSS12
96	-	1 1/2" S.S. Flat Wa.	-		WSS12
16	-	1 1/2" S.S. Lock Wa.	-		LWSS12



Anchor Rod Template  
(4 Anchor Pattern)

Anchor Rod Template To Be Removed & Discarded After Concrete Cures

Qty.	Mk.	Plate Dia.	Center Hole	Bolt Circle	Hole Size
4	T1	1'-9"	13"	18"	1 9/16"



**Material Specifications:**

Steel Plates: A.S.T.M. A36 (No Finish)

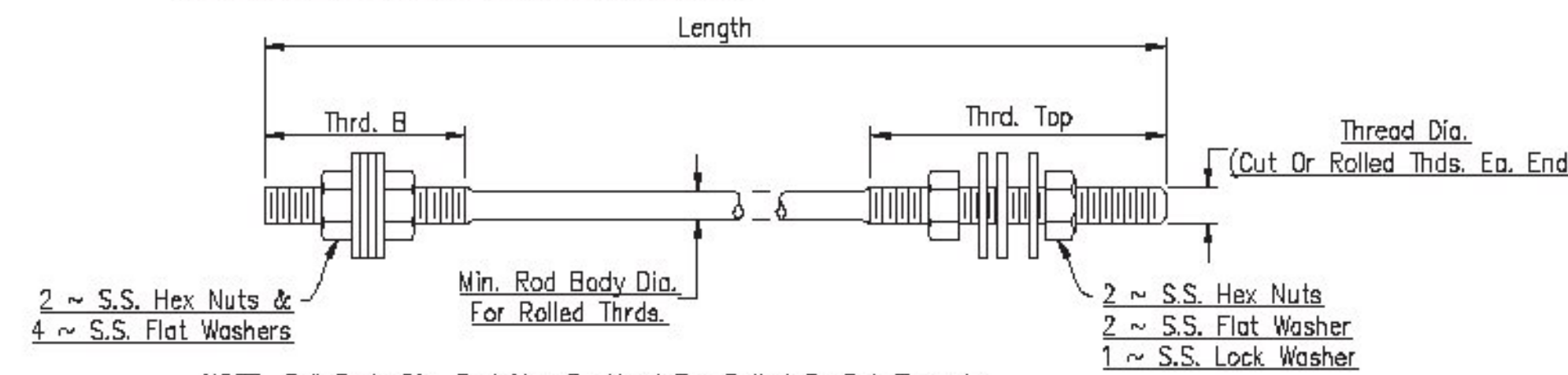
Stainless Steel Anchor Rod And Washers Shall Be An Austenitic Grade Of Stainless Steel Conforming To The Chemistry Of A.S.T.M. A276, Type 304 With The Following Physical Properties:

Tensile Strength, Minimum:	550 MPa (80,000 psi)
Yield Strength, Minimum:	380 MPa (55,000 psi)
Elongation In 50 mm (2 Inches), Minimum:	30 Percent
Rockwell B Hardness, Minimum:	86
Or	
Charpy V-Notch, Minimum:	20.5 Jerm At 5°C
(AASHTO T243M/T243 Using "H" Frequency Testing)	(15 lbf ft At 40°F)

Stainless Steel Hvy. Structural Steel Nuts: A.S.T.M. A194, Gr. 8, Type 304

Stainless Steel Lock Washers: Type 304

**Anchor Rod Nut Tightening:**  
The Anchor Rods Shall Be Tightened Using The VT Standard Specifications Installation Procedure.



NOTE: Full Body Dia. Rod May Be Used For Rolled Or Cut Threads.

Anchor Rod Detail

Qty.	Mk.	Length	Thread Dia.	Rod Body Dia.	Thrd. Top	Thrd. B	Embedment	Projection
16	AB1	4'-2"	1 1/2"	1.3812"	9"	4 3/4"	3'-5 1/4"	8 3/4"



5/7/2015