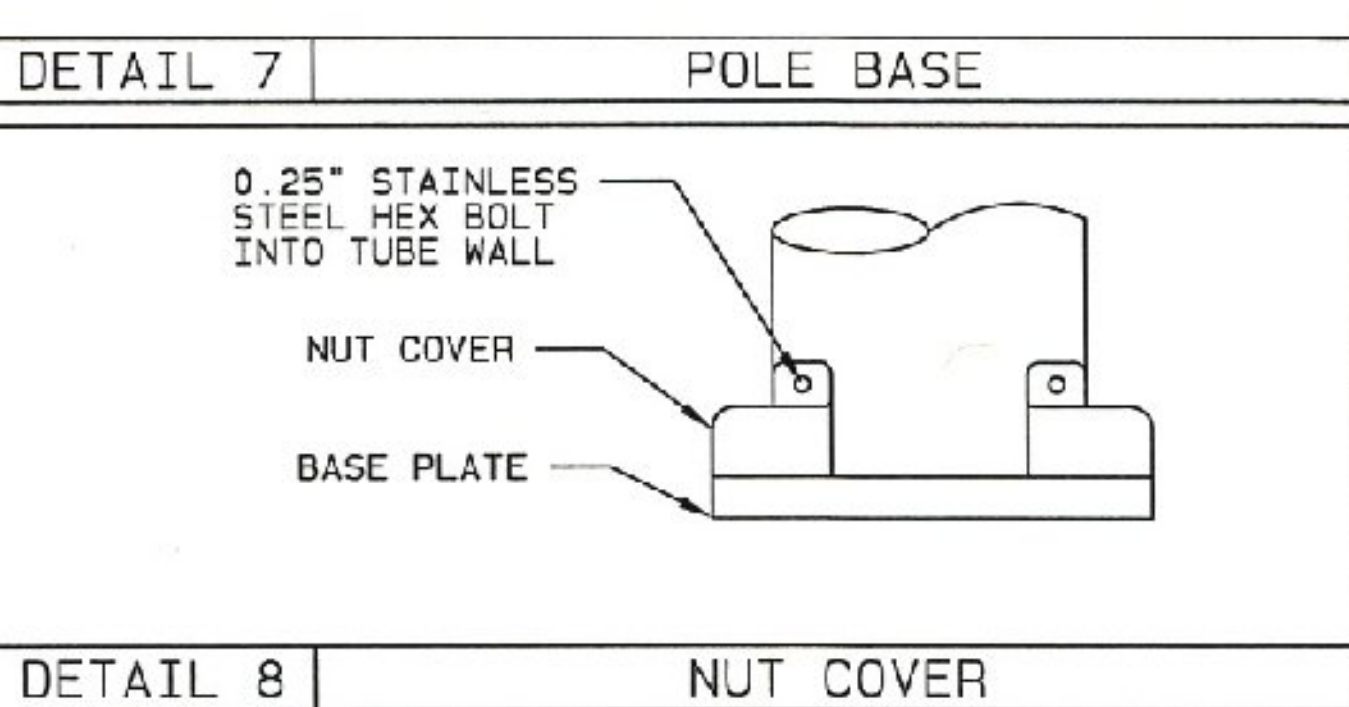
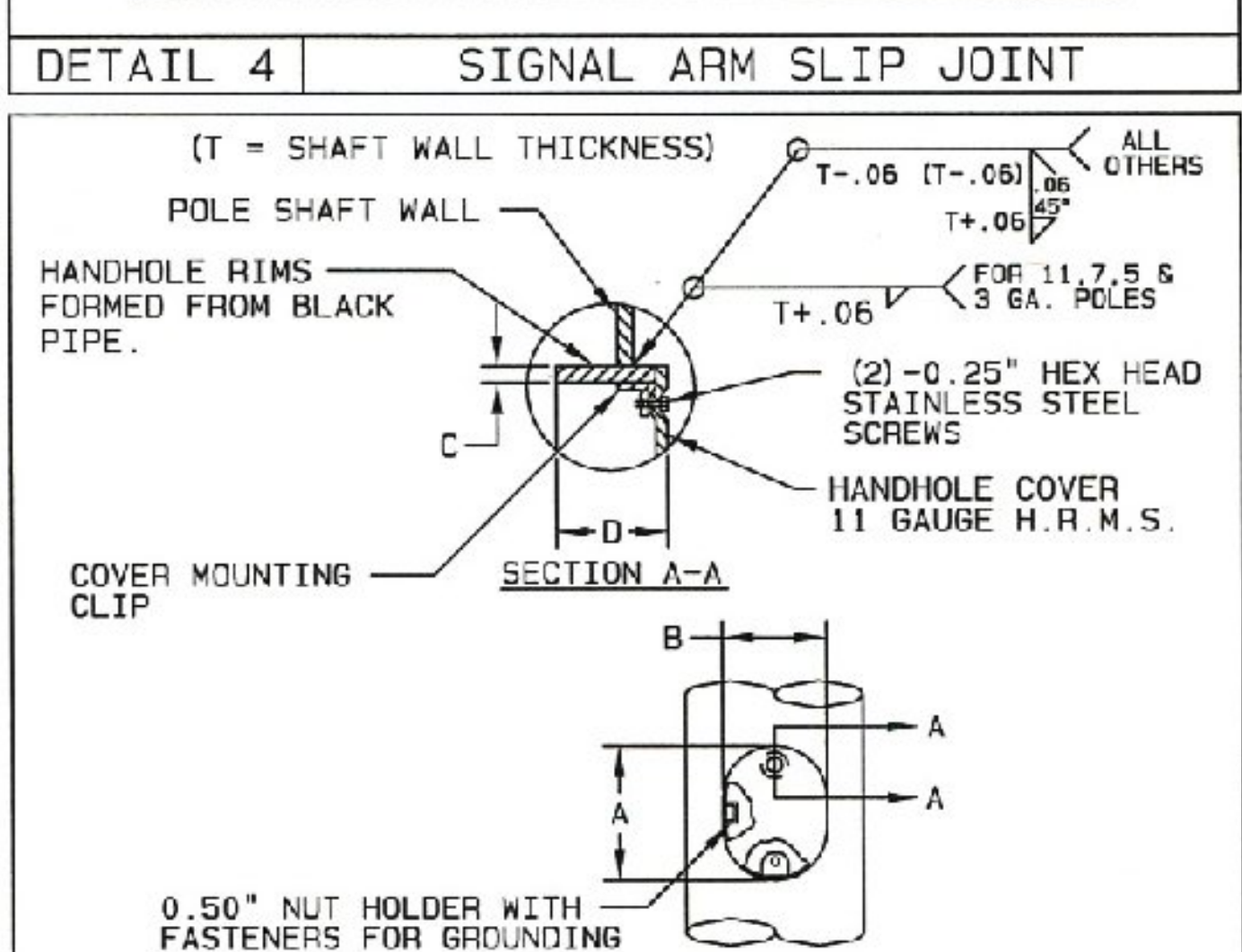
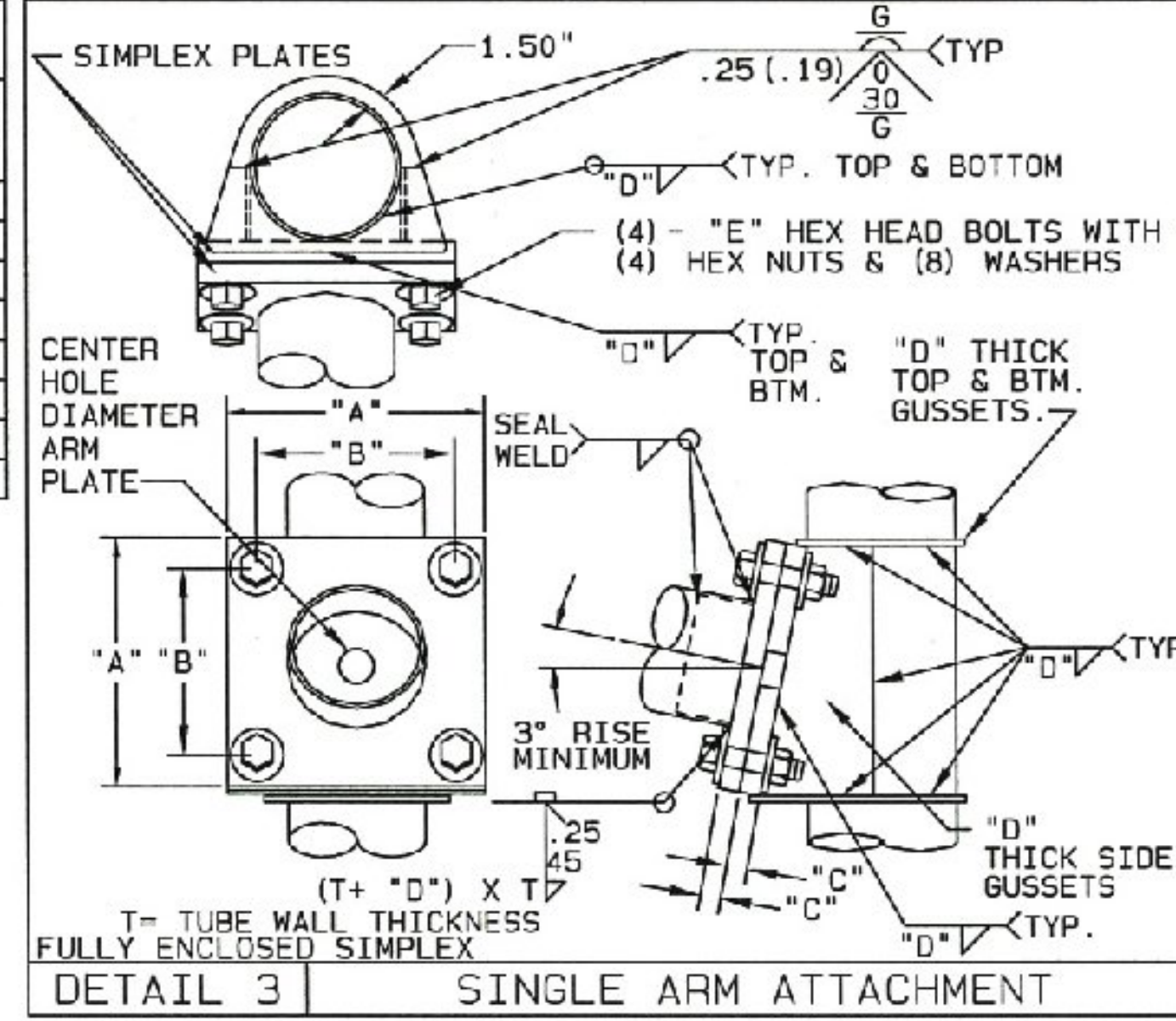


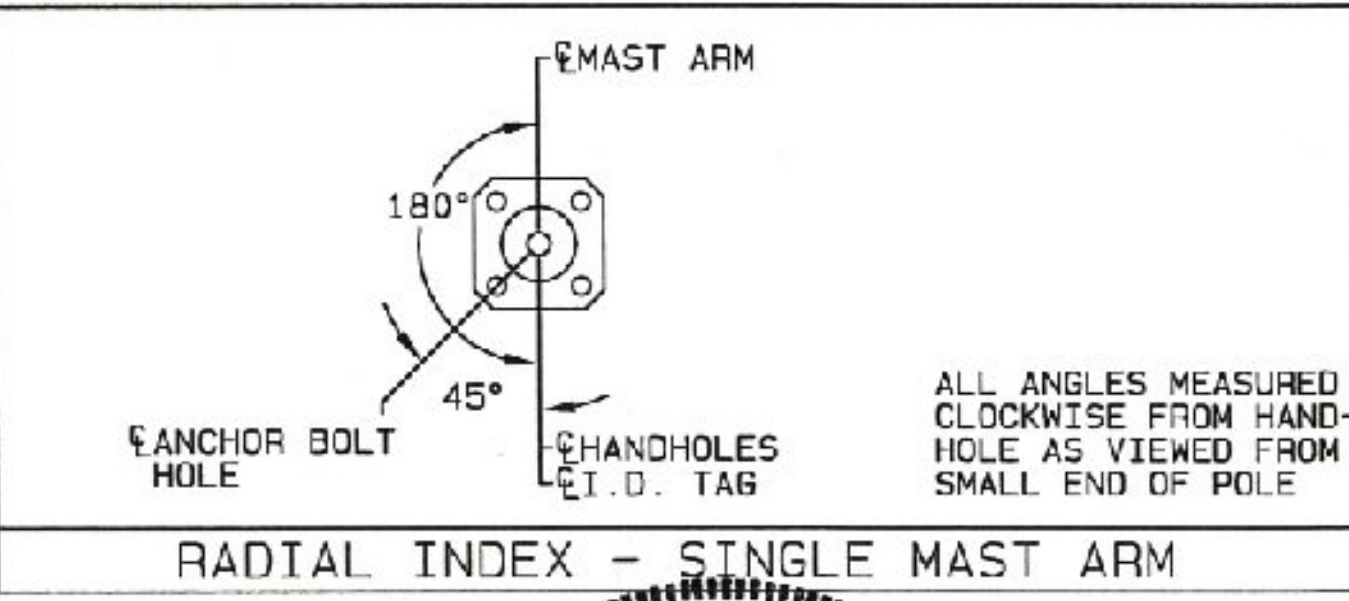
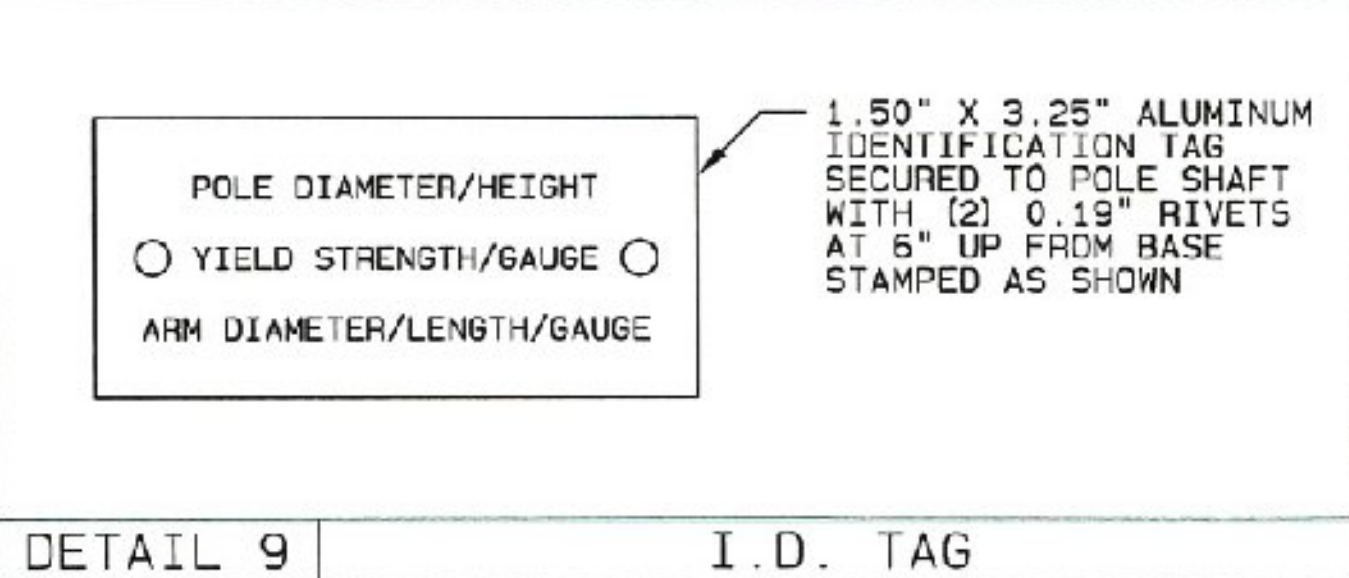
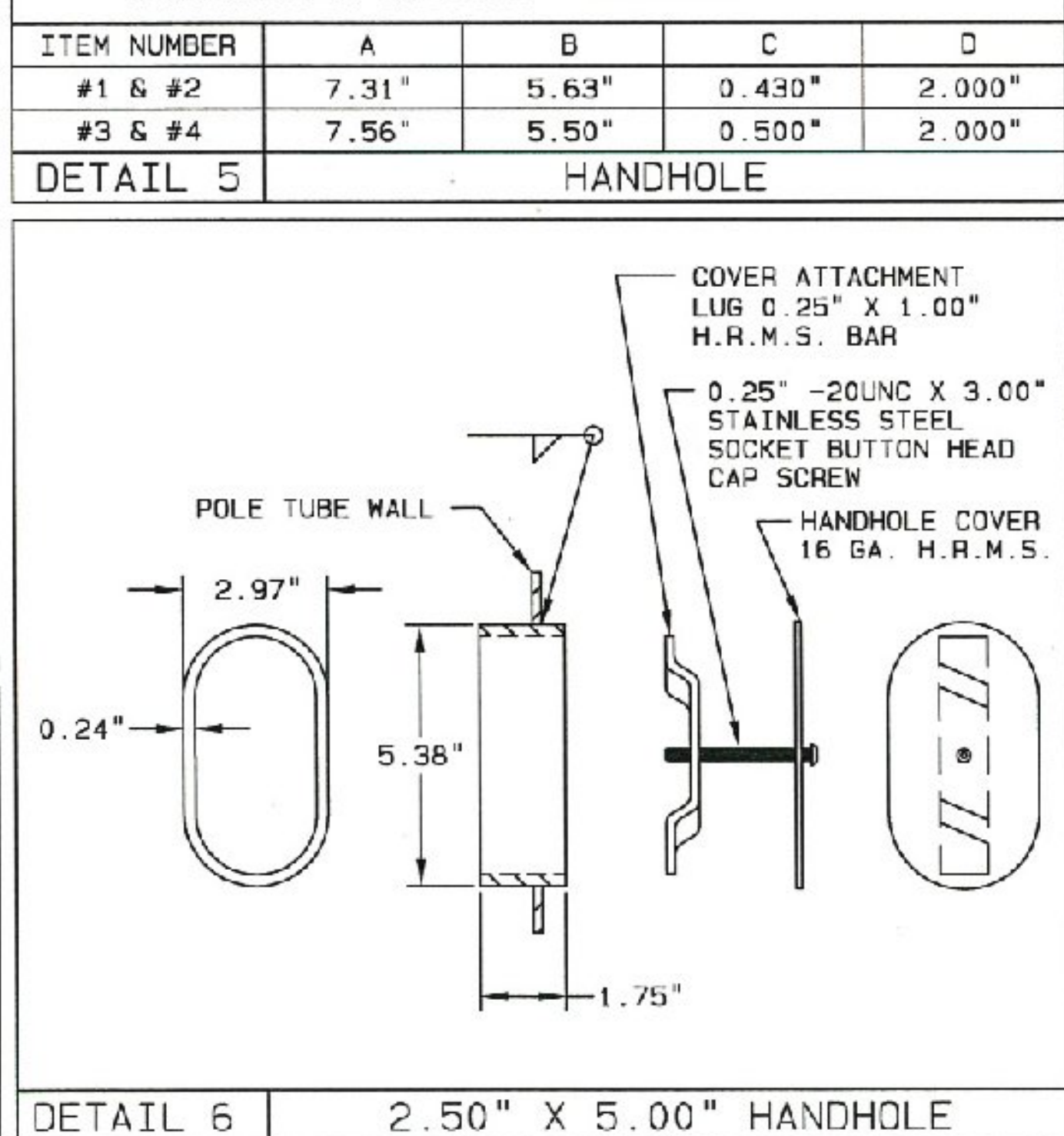
MATERIAL DATA					
COMPONENT	ASTM DESIGNATION	MIN. YIELD (KSI)	COMPONENT	ASTM DESIGNATION	MIN. YIELD (KSI)
TAPERED TUBES	A595 GR. A OR A572	55	GALVANIZING- STRUCTURE	A123	
POLE BASE	A36	36	GALVANIZING- HARDWARE	A153	
LUMINAIRE ARM PIPE		36			
SIGNAL ARM CONNECTION	A36	36			
SIGNAL ARM CONN. BOLTS	A325				



SYSTEM: FINISH PAINT/GALVANIZED (FPGV)
 BASE COAT: HOT-DIP GALVANIZED TO ASTM A123
 PRIME COAT: NONE
 FINISH COAT: TGIC OR URETHANE POLYESTER POWDER
 COLOR: BLACK
 SPEC: F-283A



SIGNAL ARM ATTACHMENT DATA						
MAST ARM LENGTH	"A"	"B"	"C"	CENTER HOLE DIA.	"D"	"E"
35.00'	17.25"	14.00"	2.000"	9.00"	0.375"	1.25" X 6.00"
40.00'	17.75"	14.50"	2.000"	9.75"	0.375"	1.25" X 6.00"
55.00'	21.25"	18.00"	2.000"	11.25"	0.500"	1.25" X 6.00"



STATE OF VERMONT
 BARRY N. SLADEK
 No. 99190
 Structural 1
 LICENSED PROFESSIONAL ENGINEER
 5/12/15