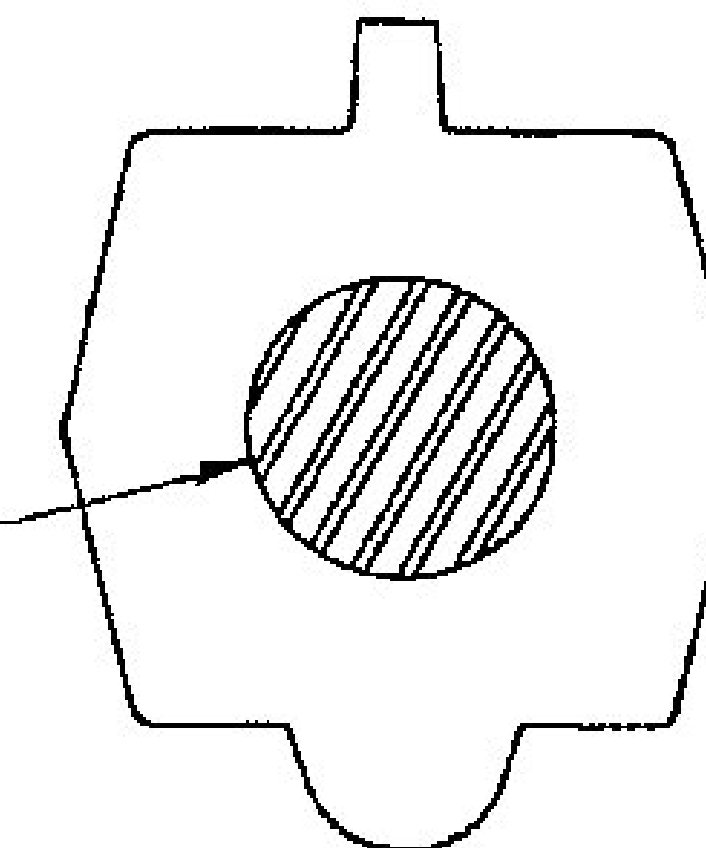
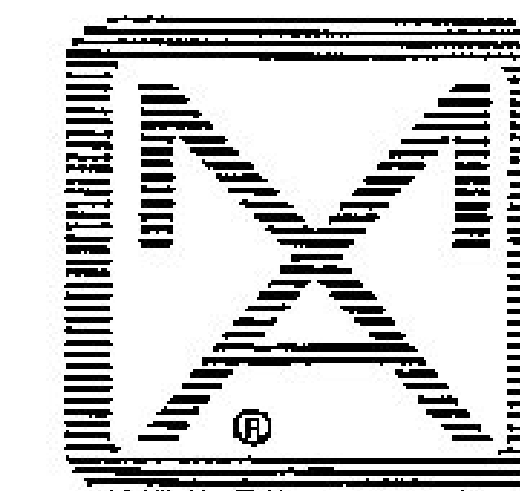
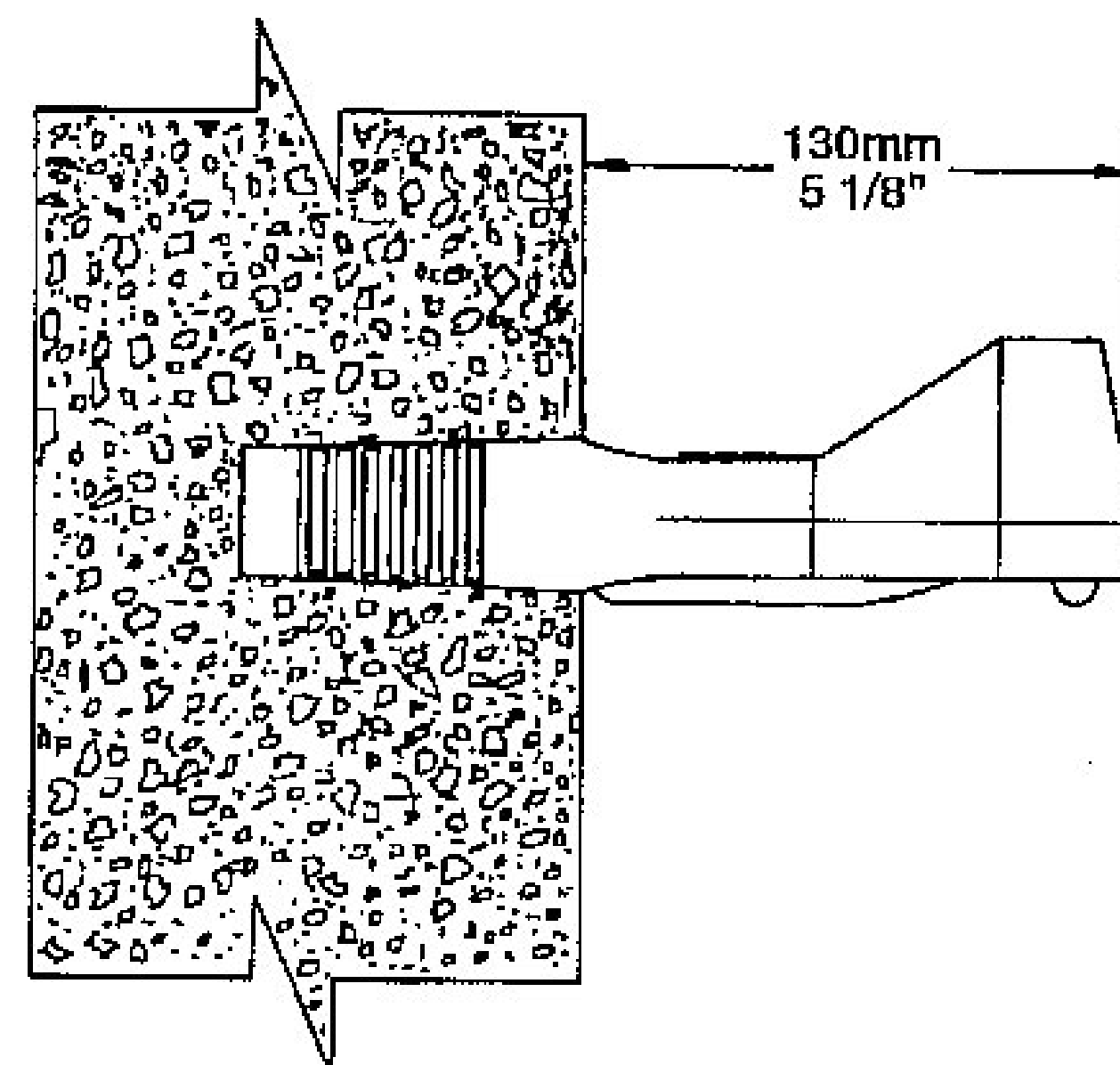


Copolymer Polypropylene Plastic

13mm 1/2" GRADE 60 STEEL REINFORCEMENT



SECTION-A



M.A. INDUSTRIES, INC.