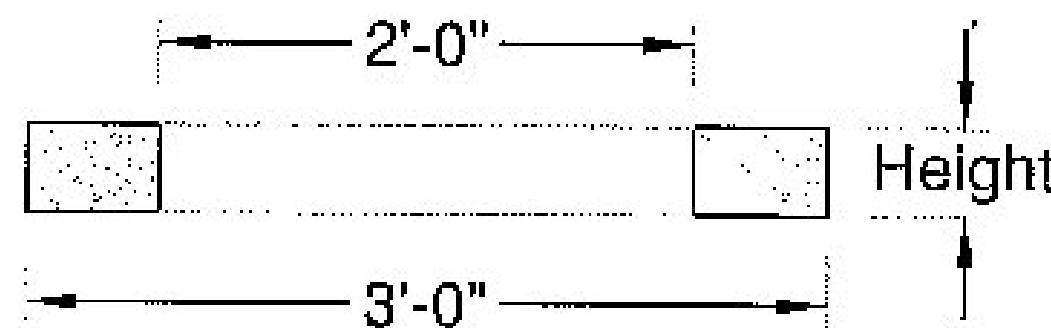
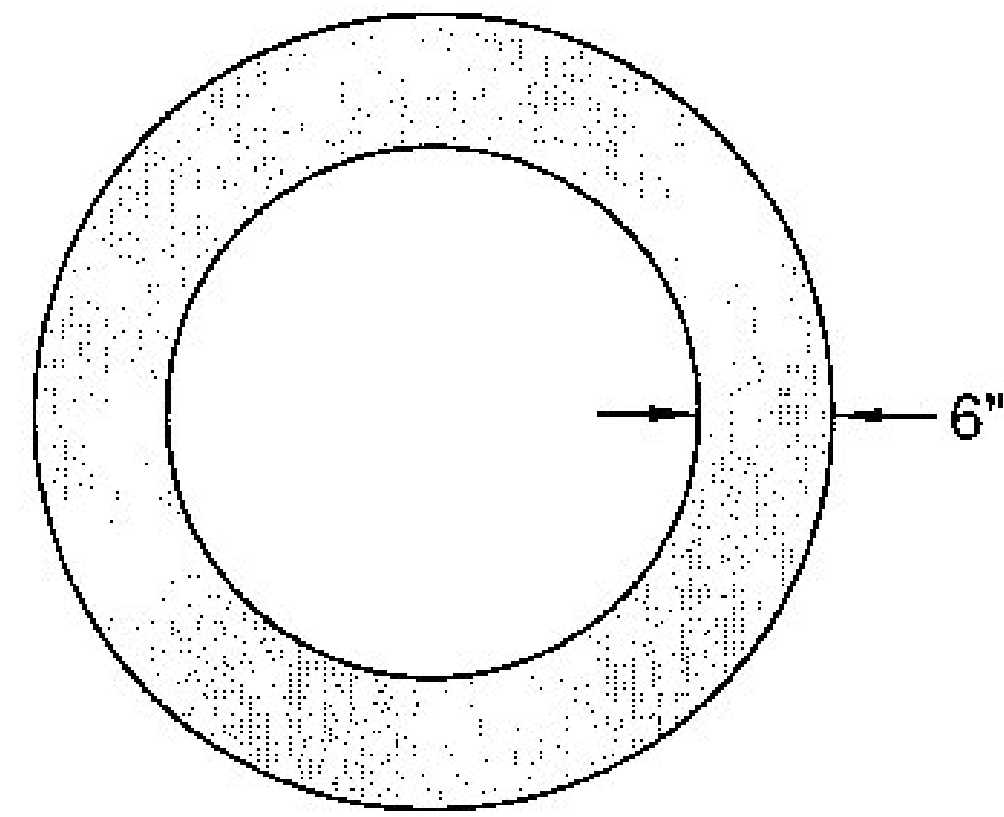


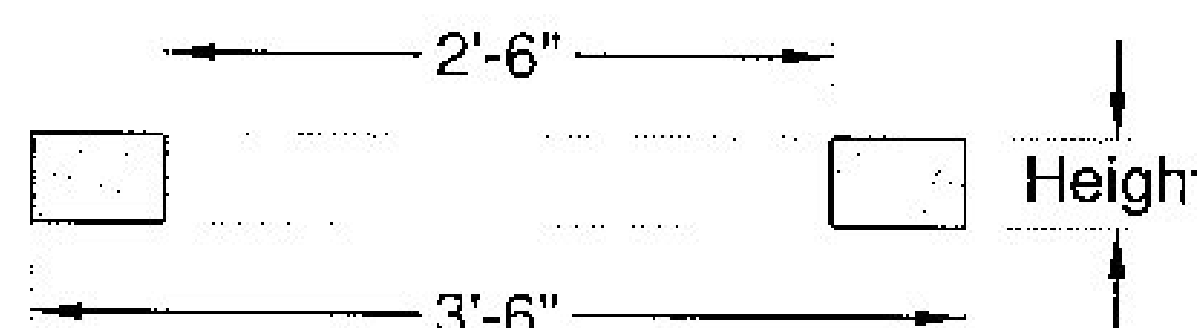
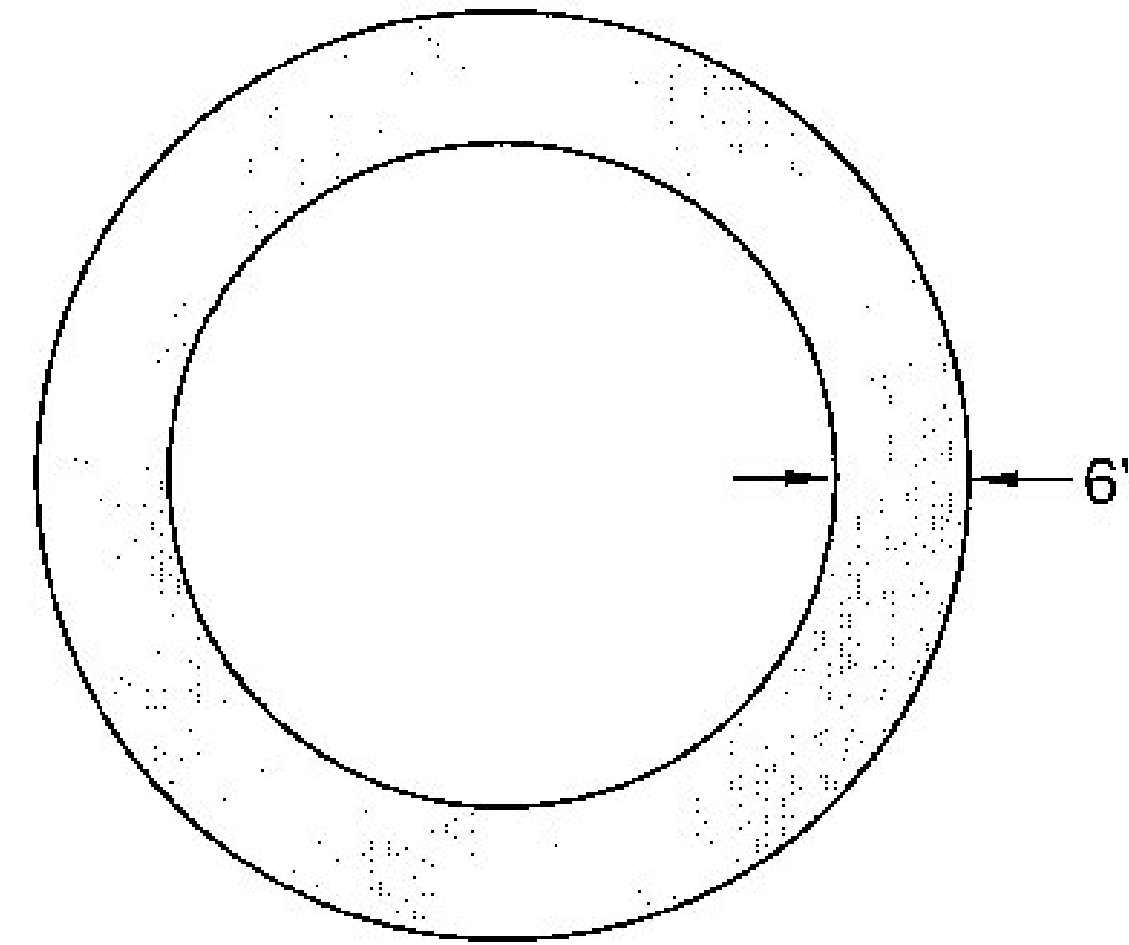
Concrete Grade Rings

24" Dia. / 30" Dia. / 24"x24"

24" Dia.



30" Dia.



24" Dia.

Height	Item #	Weight
2"	GR24DIA-2	98 lbs
3"	GR24DIA-3	147 lbs
4"	GR24DIA-4	196 lbs
6"	GR24DIA-6	294 lbs

Standard Heights Shown - Other Heights Available

MH # 2

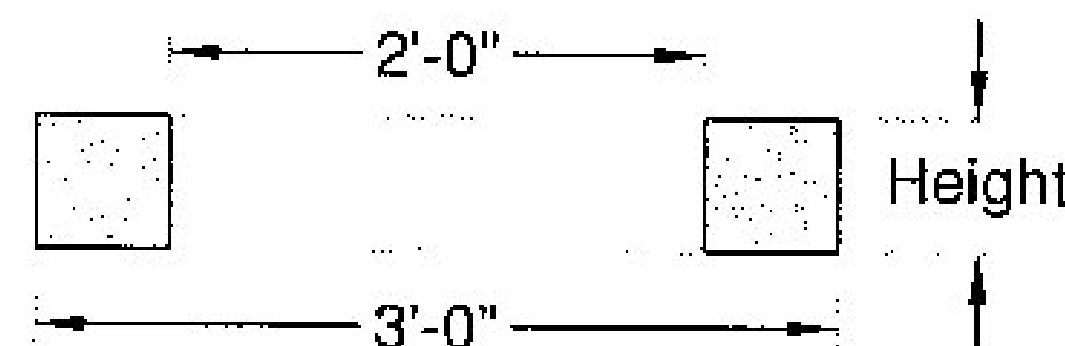
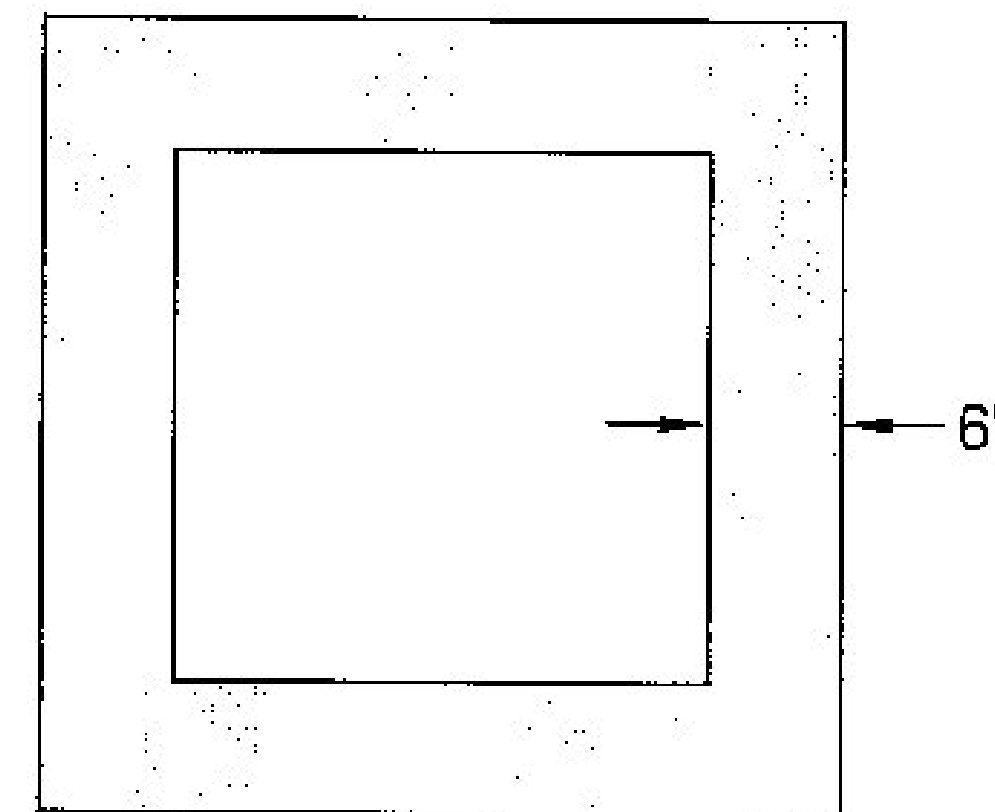


30" Dia.

Height	Item #	Weight
2"	GR30DIA-2	117 lbs
3"	GR30DIA-3	176 lbs
4"	GR30DIA-4	234 lbs
6"	GR30DIA-6	352 lbs
12"	GR30DIA-12	704 lbs

Standard Heights Shown - Other Heights Available

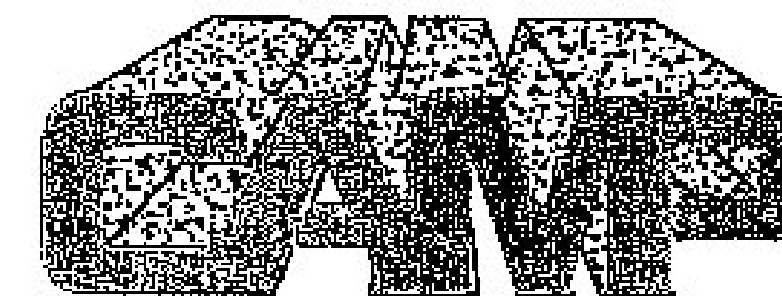
24"x 24"



24" x 24"

Height	Item #	Weight
2"	GR24X24-2	124 lbs
3"	GR24X24-3	186 lbs
4"	GR24X24-4	248 lbs
6"	GR24X24-6	372 lbs

Standard Heights Shown - Other Heights Available



PRECAST CONCRETE PRODUCTS
78 PRECAST ROAD MILTON, VT 05468 -802.893.2401
TOLL FREE 1.888.299.2401 FAX 802.893.1542

SPECIFICATIONS:

- Concrete Minimum Strength 5000psi @ 28 days
- Weights Subject to Variation