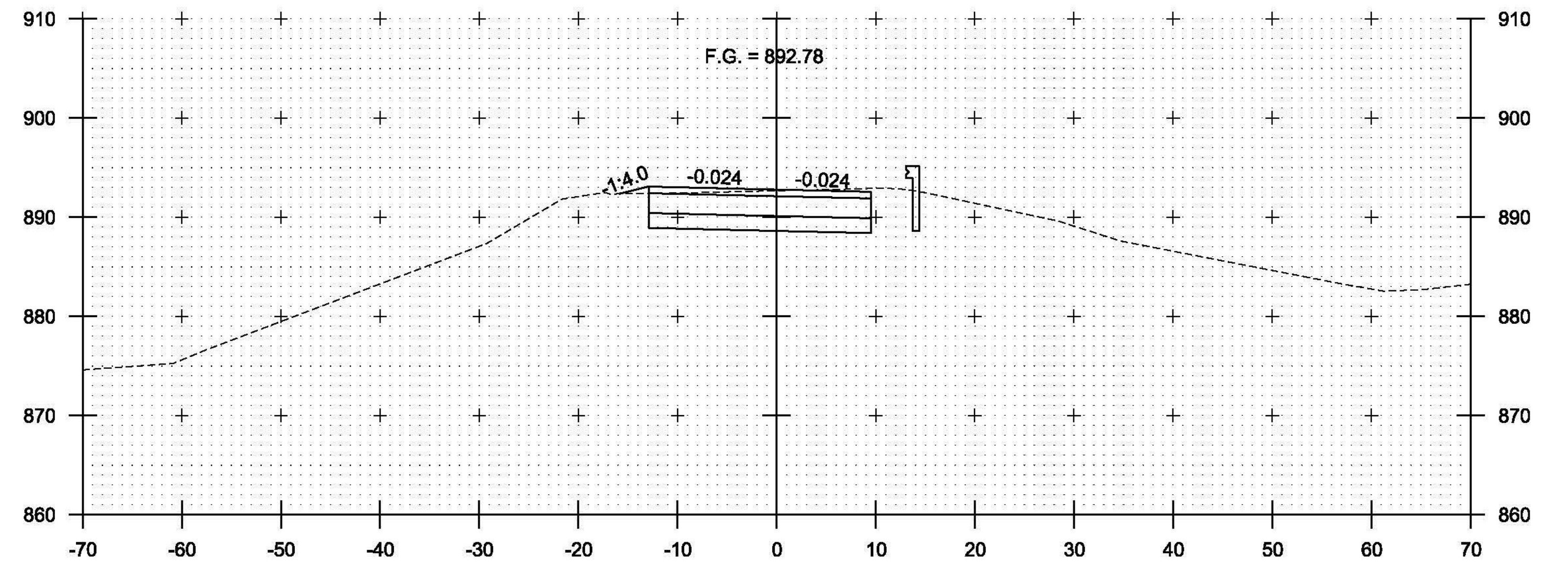
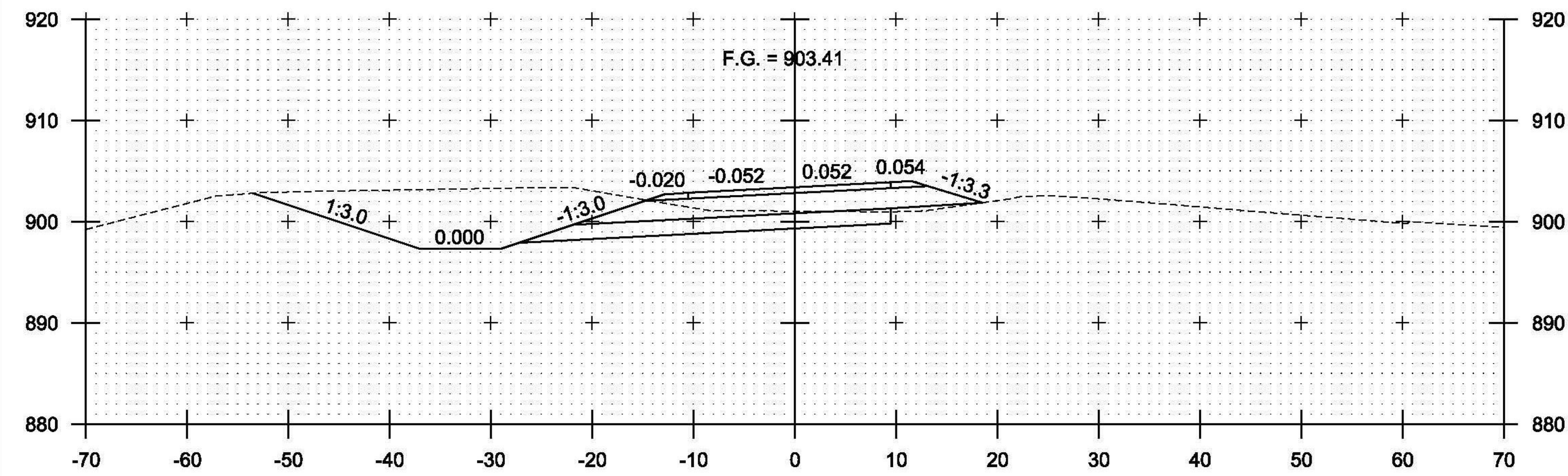


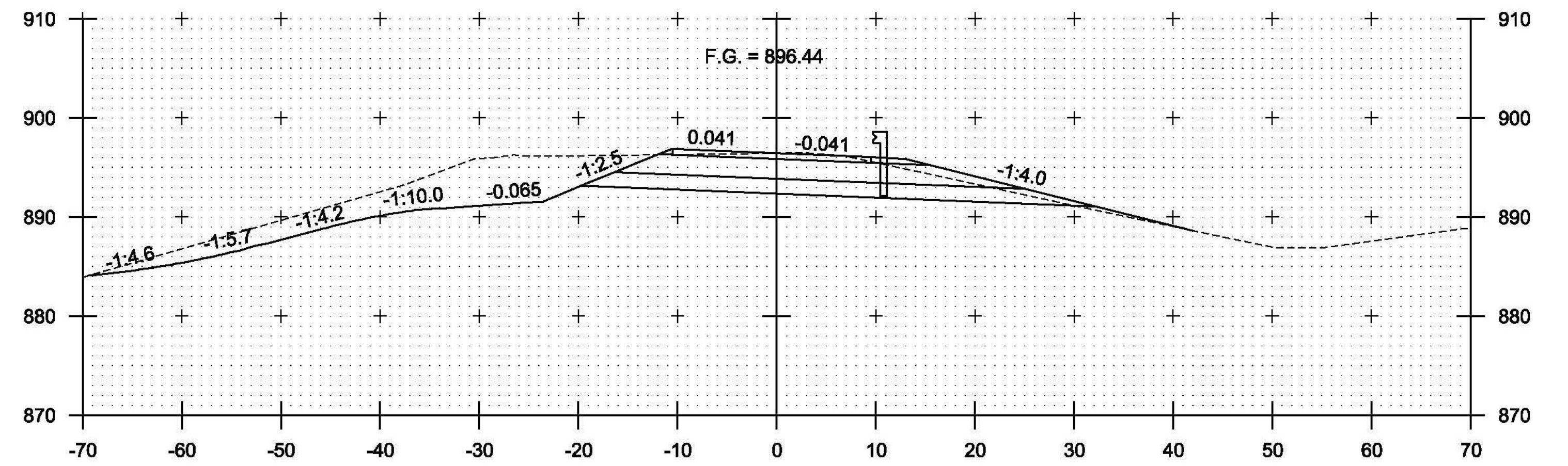
105+50



106+50



105+00



106+00

PROJECT NAME:	BERLIN
PROJECT NUMBER:	STPG SGNL(40)
FILE NAME: +lib358xsl.dgn	PLOT DATE: 10/20/2014
PROJECT LEADER: P. COBURN	DRAWN BY: T. SISSON
DESIGNED BY: T. SISSON	CHECKED BY: M. LACROIX
BERLIN STATE HWY CROSS SECTIONS SHEET 2 SHEET 122 OF 123	