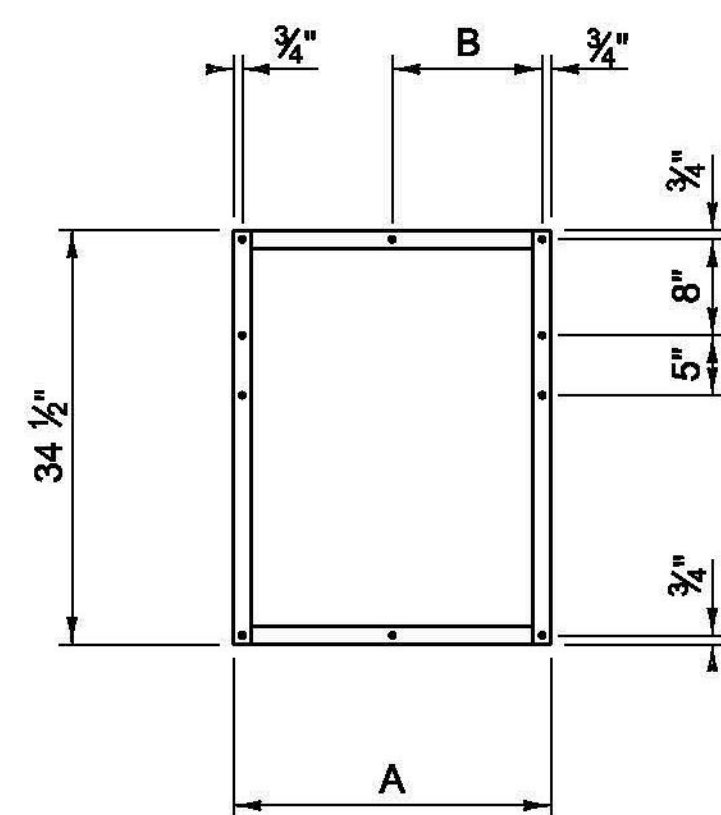


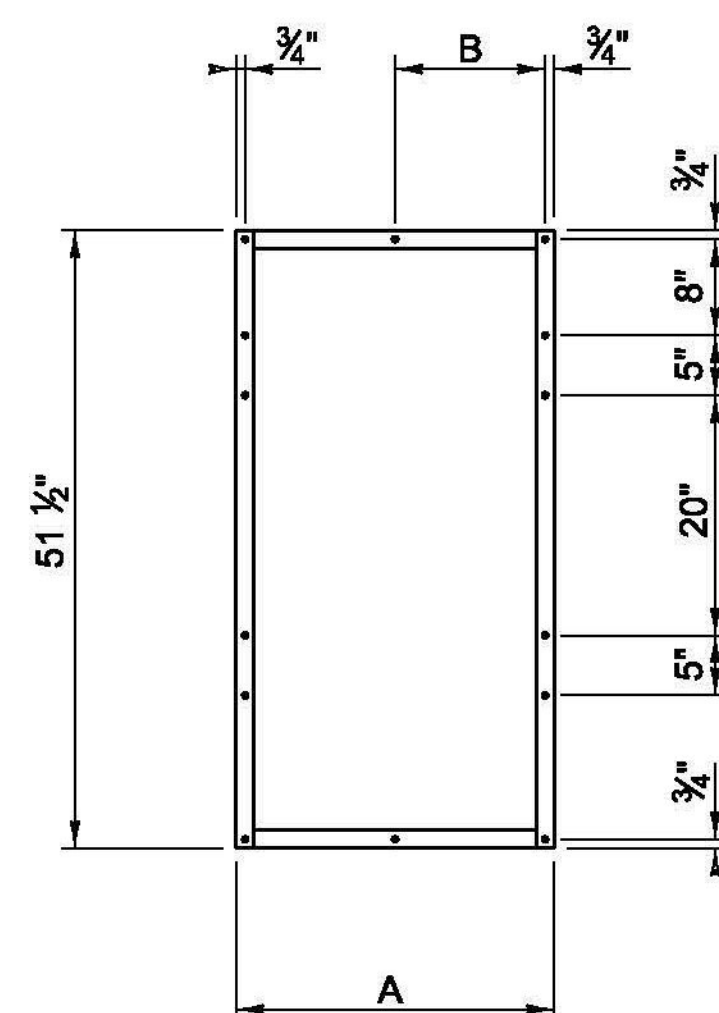
GENERAL SIGNING DETAILS

TYPE 1



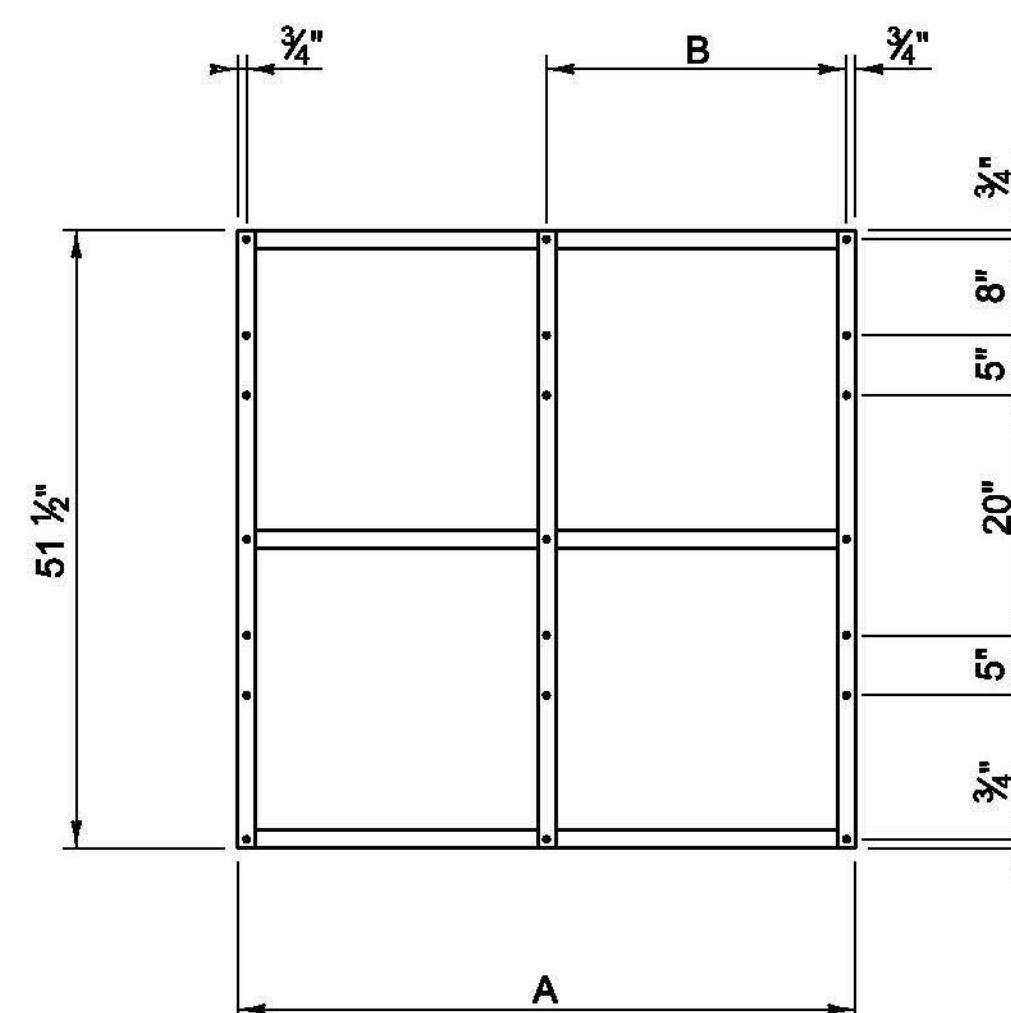
FRAME TYPE	A	B
1A	26 1/2"	12 1/2"
1B	29 1/2"	15 1/2"
1C	32 1/2"	15 1/2"

TYPE 2



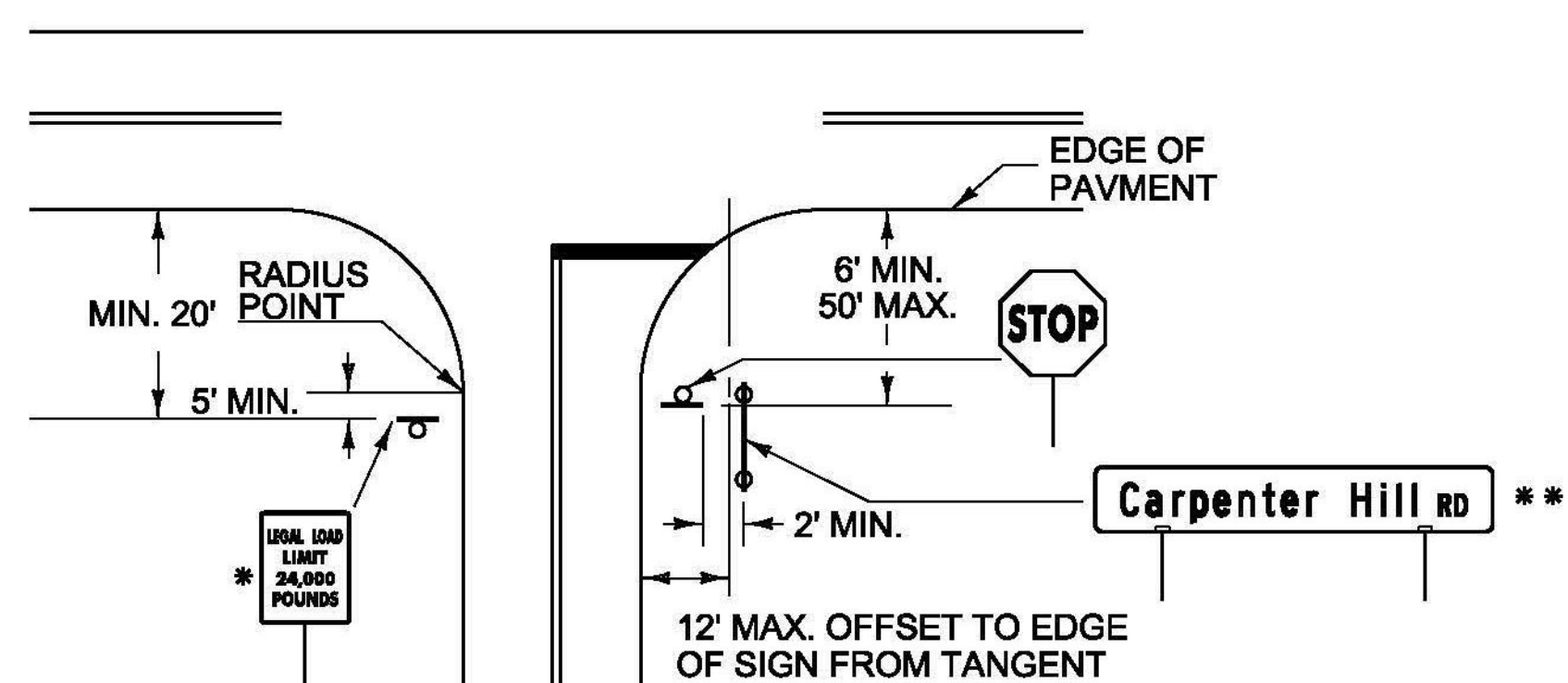
FRAME TYPE	A	B
2A	26 1/2"	12 1/2"
2B	29 1/2"	15 1/2"
2C	32 1/2"	15 1/2"

TYPE 3



FRAME TYPE	A	B
3A	51 1/2"	25"
3B	54 1/2"	28"
3C	57 1/2"	28"
3D	63 1/2"	31"

ROUTE MARKER ASSEMBLY FRAMES

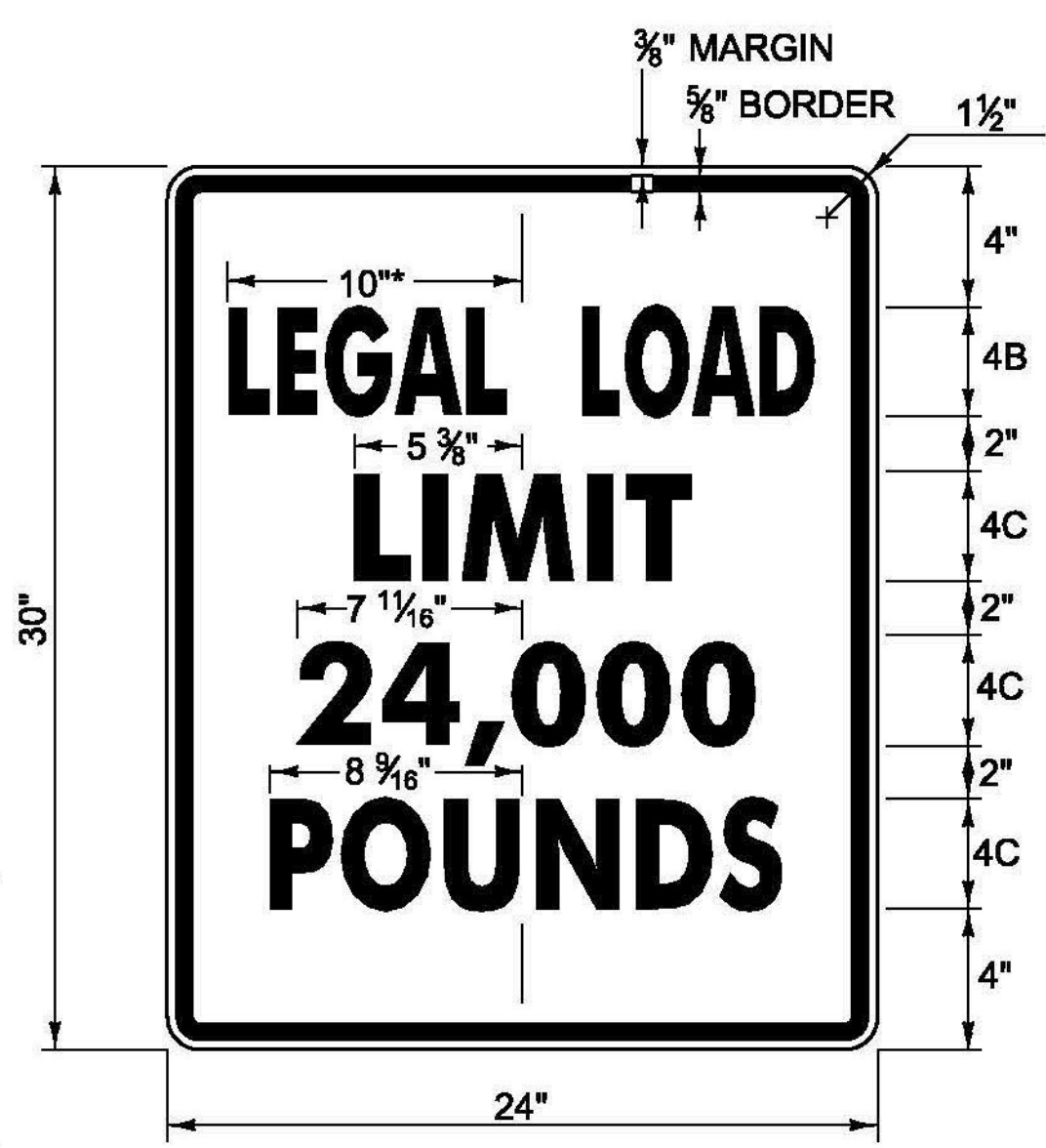


* MAY VARY ACCORDING TO ROADWAY CONDITIONS. SIDE ROAD SPEED LIMIT SIGN MAY BE INSTALLED BENEATH THIS SIGN AS REQUIRED.

STOP SIGN SHALL BE PLACED ON DRIVER'S RIGHT. MAINTAIN MAXIMUM VISIBILITY. THE STOP SIGN DOES NOT HAVE TO BE ADJACENT TO THE STOP BAR.

** STREET NAME SIGN MAY BE INSTALLED AT 90 DEGREES ON TOP OF THE STOP SIGN IF STREET NAME SIGN IS 48 INCHES OR LESS IN LENGTH. IF THE STREET NAME SIGN IS GREATER THAN 48 INCHES IN LENGTH THEN THE SIGN SHALL BE INSTALLED ON TWO SIGN POSTS TO THE RIGHT OF THE STOP SIGN AT A 2 FOOT MINIMUM LATERAL OFFSET, MAINTAINING MAXIMUM VISIBILITY AT THE INTERSECTION FOR THE STOPPED VEHICLE.

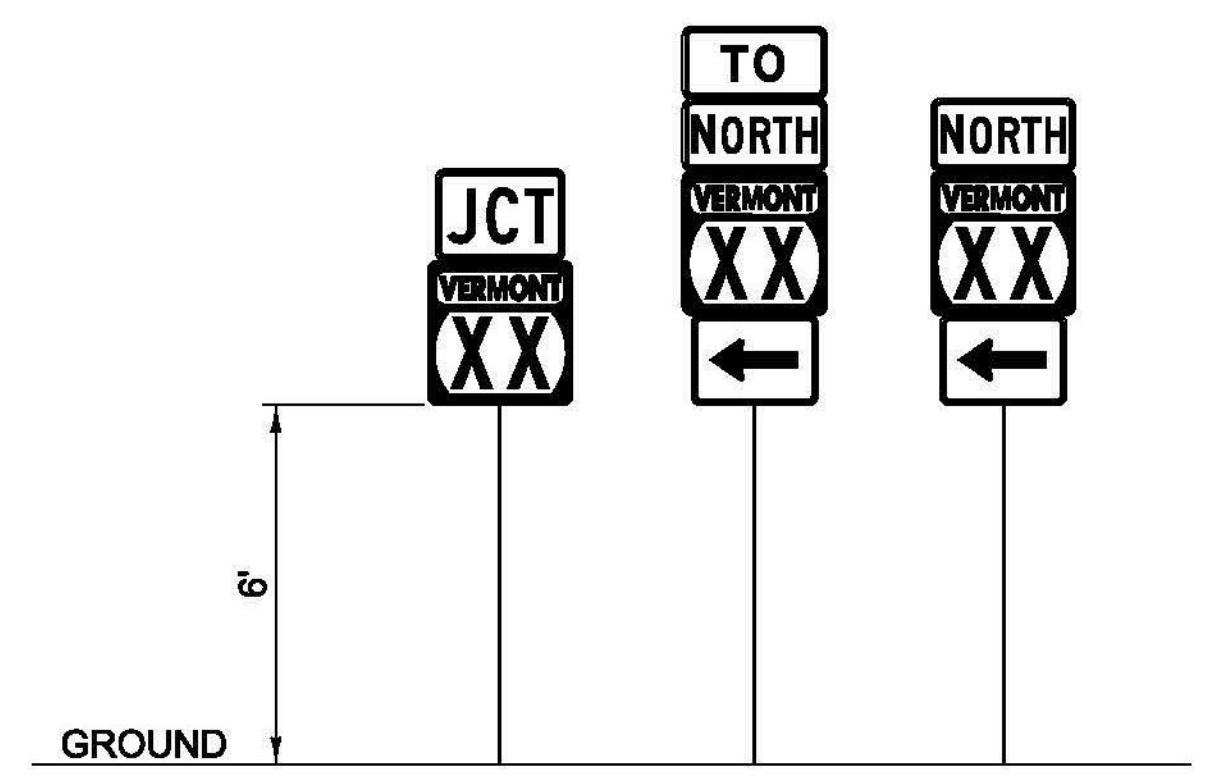
LEGAL LOAD LIMIT AND STOP SIGNS AT INTERSECTIONS WITH TOWN HIGHWAYS



* REDUCE SPACING 50%
LINE 3 ALTERNATE - 16,000

1.500" RADIUS, 0.625" BORDER, 0.375" INDENT
COLORS: BLACK ON WHITE
TEXT STYLE: "LEGAL LOAD" B; "LIMIT" C;
"24,000" C; "POUNDS" C

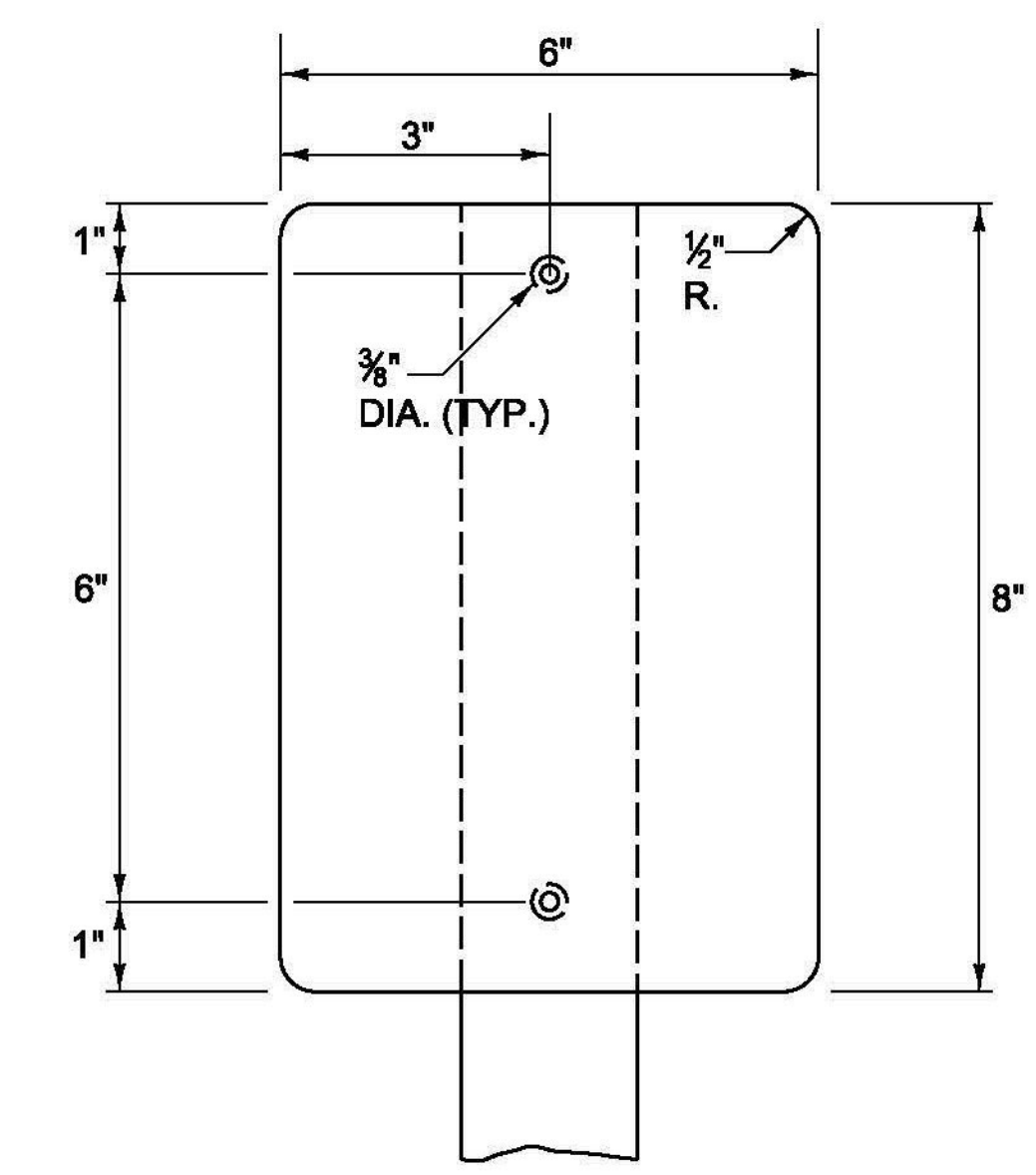
VR-017



GUIDE SIGN PLACEMENT DETAIL

NOTES:

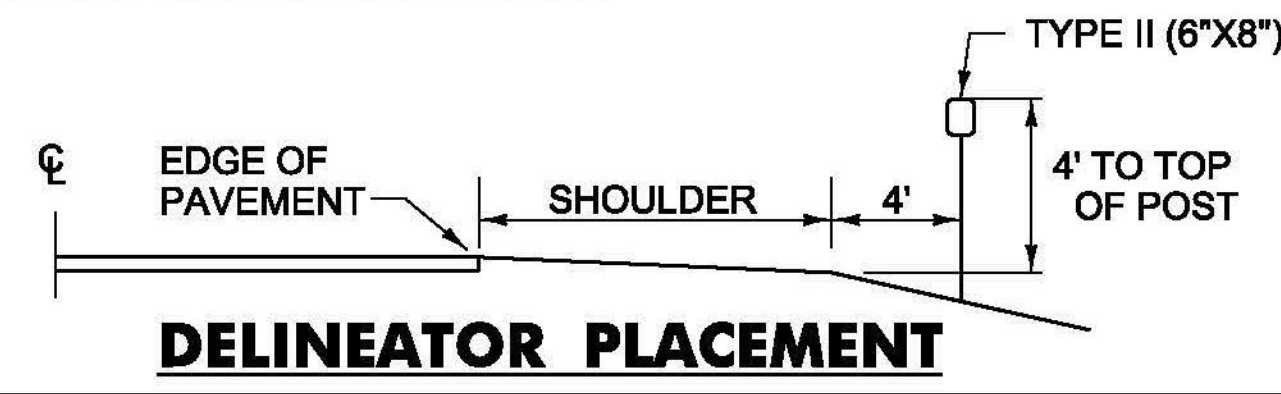
1. IN ALL URBAN AREAS AND IN RURAL AREAS WHERE PARKING OR PEDESTRIAN TRAFFIC WILL OCCUR IN THE IMMEDIATE VICINITY OF THESE SIGNS, MINIMUM VERTICAL CLEARANCE SHALL BE INCREASED TO 7 FEET.



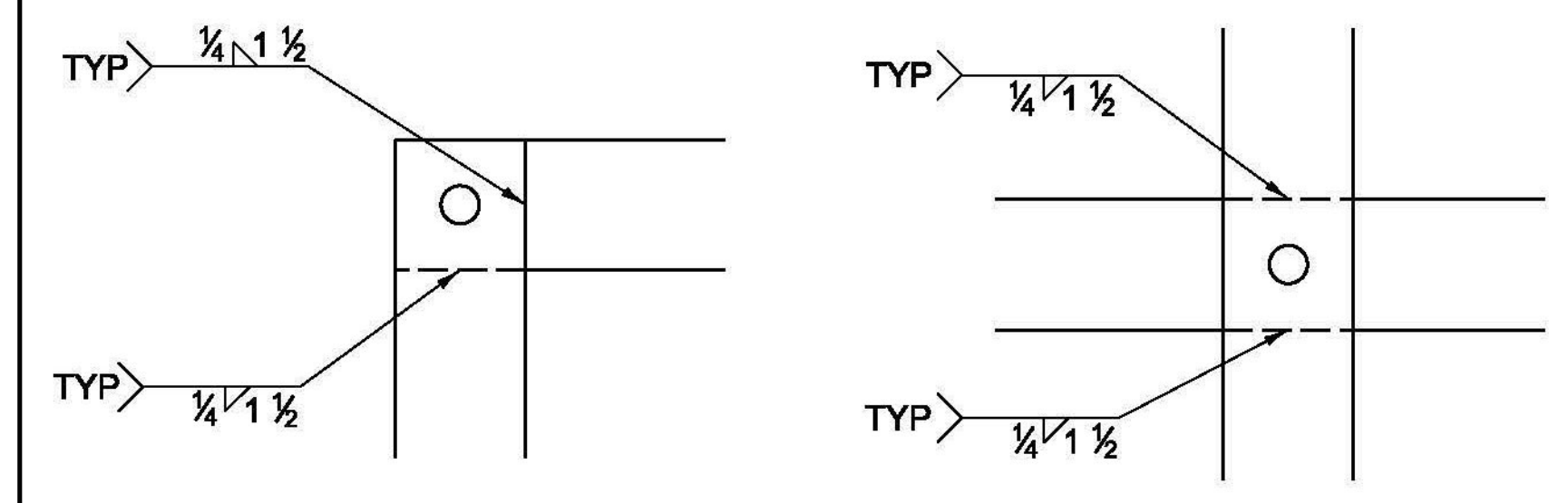
TYPE II (6"X8") DELINEATOR
DELINEATORS WITH RETROREFLECTIVE SHEETING

NOTES:

1. MATERIAL FOR RETROREFLECTIVE SHEETING FOR DELINEATORS SHALL BE A 0.063" ALUMINUM BACKING WITH A WHITE ASTM D 4956 TYPE III OR TYPE IV.
2. ALL TYPE II (6"X8") DELINEATOR POSTS SHALL BE 1.88 LB/FT SQUARE STEEL WITH A 12 GAUGE ANCHOR, WITH AN ANCHOR REVEAL OF 2 INCHES.
3. DELINEATOR POSTS SHALL HAVE A MINIMUM EMBEDMENT OF 2'-6" IN THE GROUND.
4. ALL WORK ASSOCIATED WITH TYPE II (6"X8") DELINEATORS SHALL BE PAID FOR UNDER ITEM 676.10.



DELINEATOR PLACEMENT



WELDING DETAILS

NOTES:

1. TYPE 1A FRAME ASSEMBLY TO BE USED WITH TWO 24 INCH WIDE SIGN COLUMNS.
2. TYPE 1B FRAME ASSEMBLY TO BE USED WITH ONE 24 INCH WIDE SIGN COLUMN AND ONE 30 INCH WIDE SIGN COLUMN.
3. TYPE 1C FRAME ASSEMBLY TO BE USED WITH TWO 30 INCH WIDE SIGN COLUMNS.
4. TYPE 2A FRAME ASSEMBLY TO BE USED WITH TWO 24 INCH WIDE SIGN COLUMNS.
5. TYPE 2B FRAME ASSEMBLY TO BE USED WITH ONE 24 INCH WIDE SIGN COLUMN AND ONE 30 INCH WIDE SIGN COLUMN.
6. TYPE 2C FRAME ASSEMBLY TO BE USED WITH TWO 30 INCH WIDE SIGN COLUMNS.
7. TYPE 3A FRAME ASSEMBLY TO BE USED WITH THREE 24 INCH WIDE SIGN COLUMNS.
8. TYPE 3B FRAME ASSEMBLY TO BE USED WITH TWO 24 INCH WIDE SIGN COLUMNS AND ONE 30 INCH WIDE SIGN COLUMN, WITH THE 30 INCH SIGN COLUMN IN AN OUTSIDE POSITION.
9. TYPE 3C FRAME ASSEMBLY TO BE USED WITH ONE 24 INCH WIDE SIGN COLUMN IN THE CENTER AND TWO 30 INCH SIGN COLUMNS ON THE OUTSIDE OR ONE 30 INCH SIGN COLUMN IN THE CENTER AND TWO 24 INCH SIGN COLUMNS ON THE OUTSIDE.
10. TYPE 3D FRAME ASSEMBLY TO BE USED WITH THREE 30 INCH WIDE SIGN COLUMNS.
11. ALL HOLES SHALL BE 7/16 INCH DIAMETER.
12. FOR SIGN COMBINATIONS OTHER THAN ABOVE, THE FRAME DIMENSIONS AND HOLE SPACING SHALL BE MODIFIED AS NECESSARY.
13. STANDARD FRAMES SHALL BE CONSTRUCTED OF 5/8 INCH BY 1 1/2 INCH AASHTO M 270M/M 270, GRADE 250 (GRADE 36) STEEL.
14. SEE THE MANUAL ON UNIFORM TRAFFIC CONTROL DEVICES (MUTCD) SECTION 2D.29 FOR INSTALLATION SEQUENCE.
15. ALL DIMENSIONS SHOWN IN INCHES, UNLESS OTHERWISE NOTED.

PROJECT NAME:	BERLIN	FILE NAME:	tlb358frm.dgn	PLOT DATE:	10/20/2014
PROJECT NUMBER:	STPG SGNL(40)	PROJECT LEADER:	P. COBURN	DRAWN BY:	T. SISSON
		DESIGNED BY:	T. SISSON	CHECKED BY:	M. LACROIX
		GENERAL SIGN DETAIL SHEET		SHEET	69 OF 123