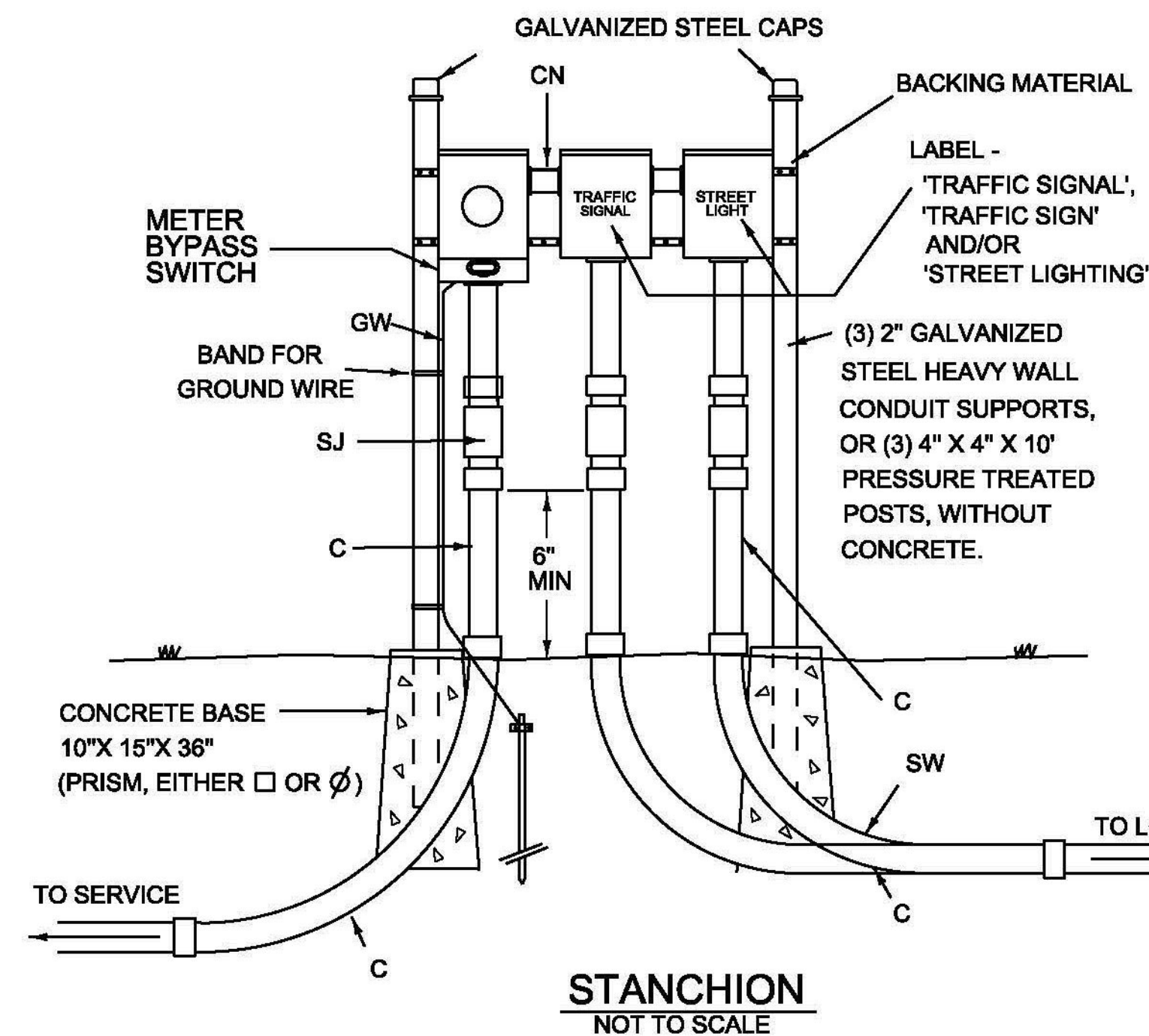
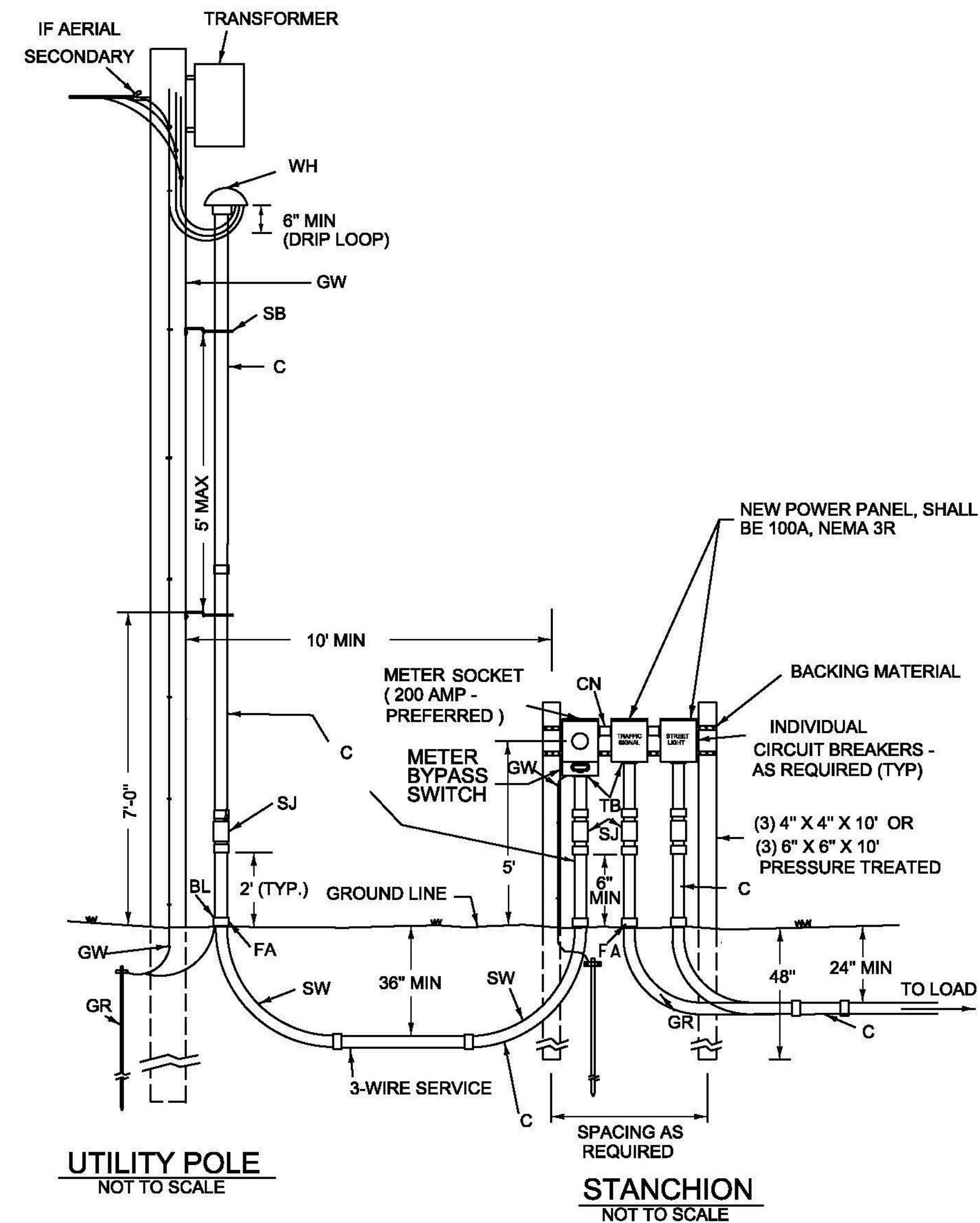


# STREET LIGHTING DETAILS



LEGEND	
ITEM	MATERIAL
BL	BONDING LUG (IF STEEL CONDUIT)
C	CONDUIT - PVC SCHEDULE 80 (2" MIN.)
CN	CONDUIT NIPPLE
FA	FEMALE ADAPTER OR COUPLINGS AS REQUIRED
GR	GROUND ELECTRODE, 5/8" X 8" (MIN) COPPER CLAD (2 REQ.)
GW	GROUND CONDUCTOR, #6 AWG CU (MIN)
SB	STANDOFF BRACKET (SEE DETAIL)
SJ	SLIP JOINT, INSTALL 2/3 OPEN
SSS	STAINLESS STEEL STRAP (1" MIN)
SW	90° SWEEPS, (PVC) 36" R. - SERVICE, 24" R. - LOAD
TB	THREADED BUSHING
WH	WEATHERHEAD OR CONDULATOR

PROJECT NAME: BERLIN  
PROJECT NUMBER: STPG SGNL(40)

FILE NAME: light\_det.dgn PLOT DATE: 10/20/2014  
PROJECT LEADER: P. COBURN DRAWN BY: T. SISSON  
DESIGNED BY: T. SISSON CHECKED BY: M. LACROIX  
STREET LIGHTING DETAILS SHEET SHEET 41 OF 123